



T&S BRASS AND BRONZE WORKS, INC.

2 Saddleback Cove / P.O. Box 1088
Travelers Rest, SC 29690

Model No.

B-0871-VRS

Item No.

Travelers Rest, SC: 800-476-4103 • Simi Valley, CA: 800-423-0150 • Fax: 864-834-3518 • www.tsbrass.com



ADA Compliant

This Space for Architect/Engineer Approval

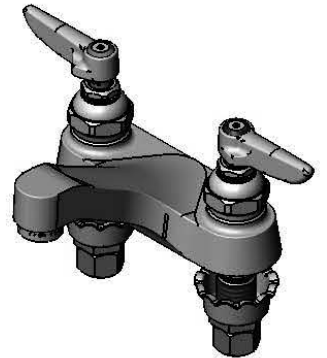
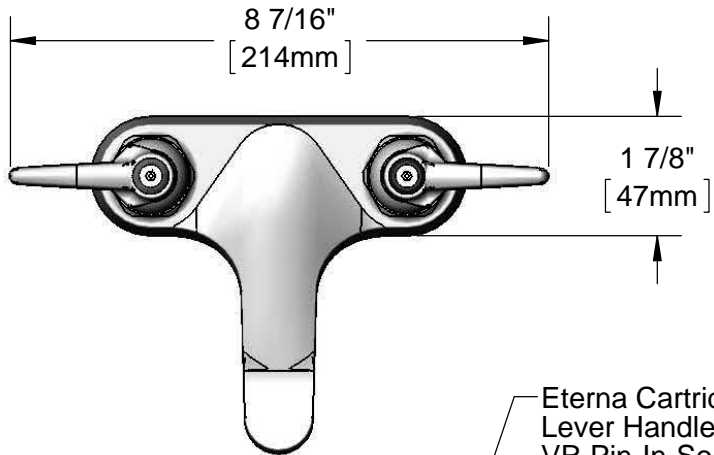
Job Name _____ Date _____

Model Specified _____ Quantity _____

Customer/Wholesaler _____

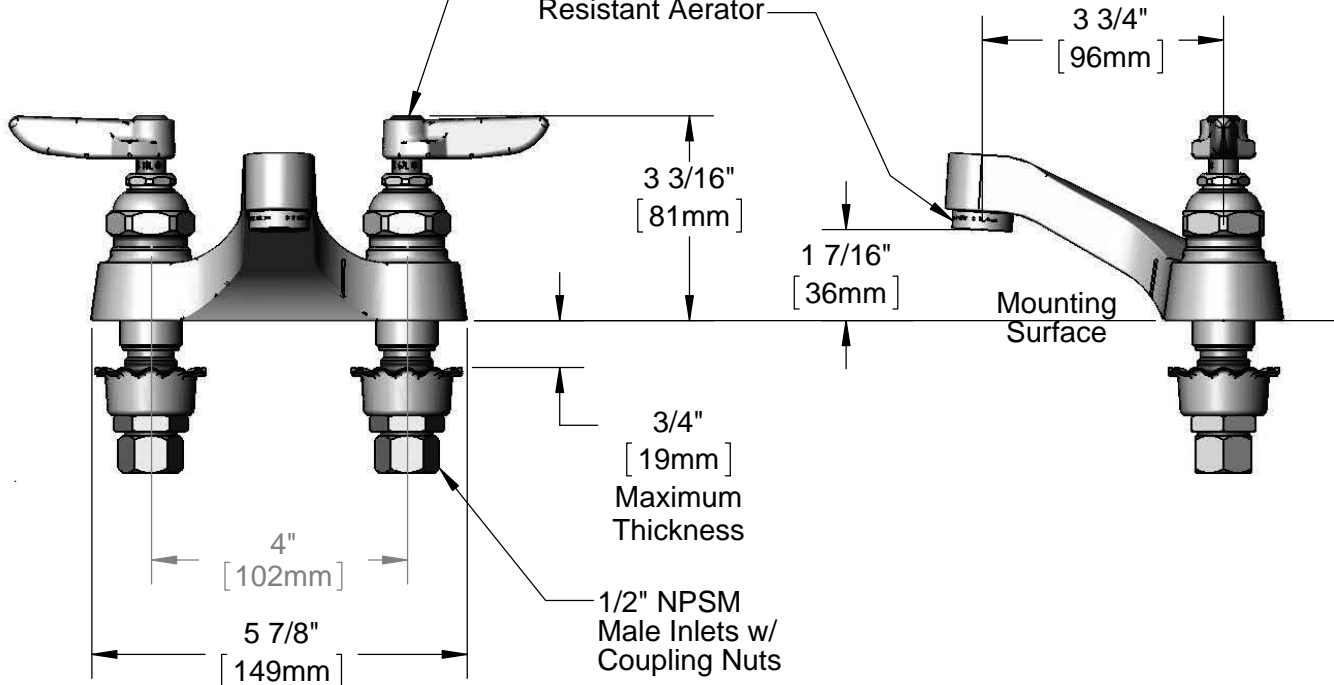
Contractor _____

Architect/Engineer _____



Eterna Cartridges & Lever Handles w/ VR Pin-In-Socket Screws & Color Coded Indexes

2.2 GPM Vandal Resistant Aerator



Rough-In Requirement:
(2) ϕ 1 1/8" [29mm] Mounting Holes

Product Specifications:
4" Centerset Deck Mount Faucet, Eterna Cartridges, Lever Handles, Vandal Resistant Screws, VR 2.2 GPM Aerator & 1/2" NPSM Male Inlets w/ Coupling Nuts

Product Compliance:
ASME A112.18.1 / CSA B125.1
NSF 61 - Section 9
NSF 372 (Low Lead Content)
ANSI A117.1 (ADA)



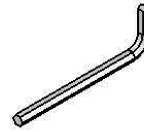
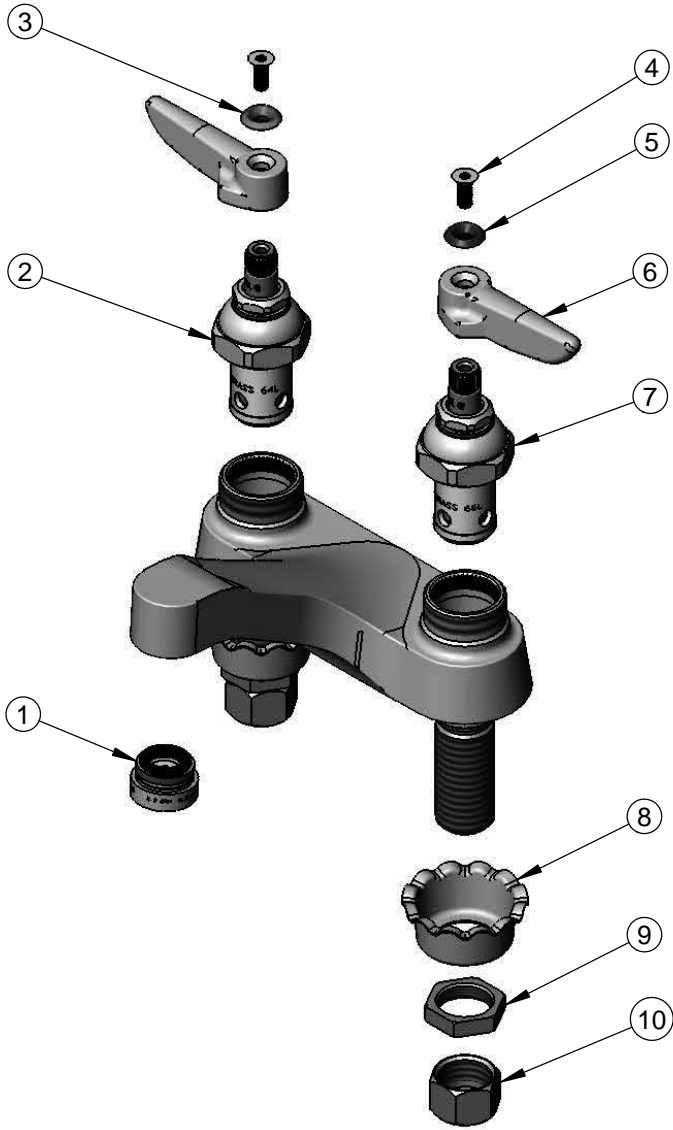
T&S BRASS AND BRONZE WORKS, INC.
 2 Saddleback Cove / P.O. Box 1088
 Travelers Rest, SC 29690

Model No.
B-0871-VRS

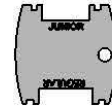
Item No.

Travelers Rest, SC: 800-476-4103 • Simi Valley, CA: 800-423-0150 • Fax: 864-834-3518 • www.tsbrass.com

ITEM NO.	SALES NO.	DESCRIPTION
1	B-0199-08	VR 2.2 GPM Aerator, 13/16-27 UN w/ Key
2	005960-40	Eterna Cartridge, RTC
3	001661-45	Red Index-HW
4	B-VRS	Pin-In-Socket Screw w/ Hex Key
5	001660-45	Blue Index-CW
6	001638-45	Lever Handle
7	005959-40	Eterna Cartridge, LTC
8	001000-45	Rosette Washer
9	002954-45	Shank Lock Nut
10	000958-20	Coupling Nut



010587-45
 Pin-In-Socket
 Hex Key
 (Included)



015425-45
 Vandal Resistant Key
 (Included)

Product Specifications:
 4" Centerset Deck Mount Faucet, Eterna Cartridges, Lever Handles,
 Vandal Resistant Screws, VR 2.2 GPM Aerator & 1/2" NPSM Male Inlets
 w/ Coupling Nuts

Product Compliance:
 ASME A112.18.1 / CSA B125.1
 NSF 61 - Section 9
 NSF 372 (Low Lead Content)
 ANSI A117.1 (ADA)