



T&S BRASS AND BRONZE WORKS, INC.

2 Saddleback Cove / P.O. Box 1088
Travelers Rest, SC 29690



REG. #A2601
ISO #9001

Model No.
B-0871-WS

Item No.

Travelers Rest, SC: 800-476-4103 Simi Valley, CA: 800-423-0150 Fax: 864-834-3518 www.tsbrass.com

This Space for Architect/Engineer Approval

Job Name _____ Date _____

Model Specified _____ Quantity _____

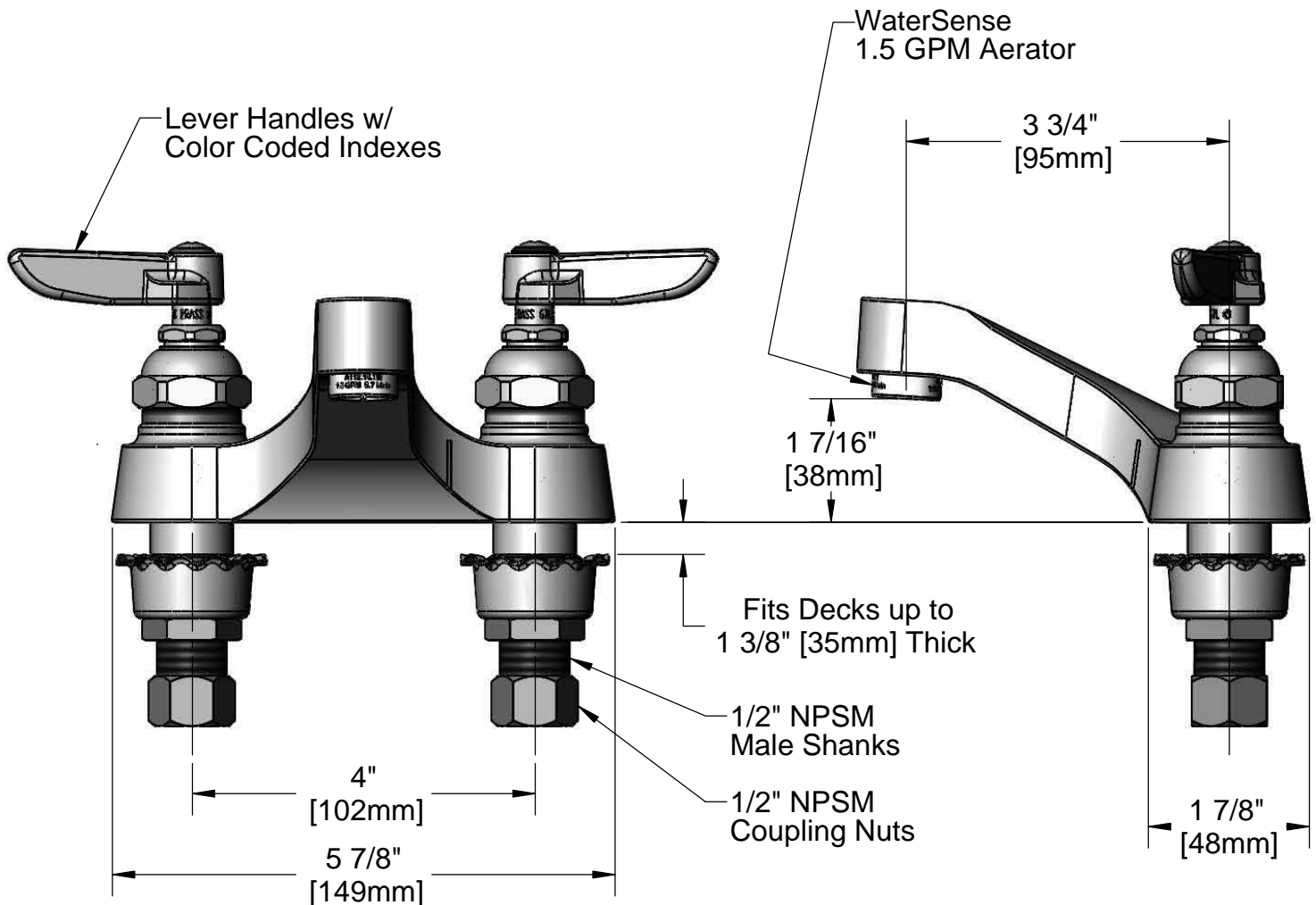
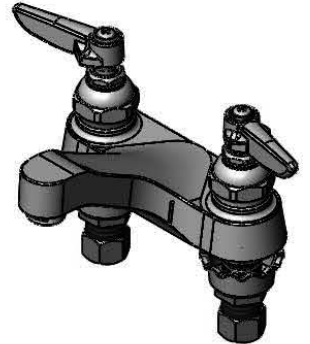
Customer/Wholesaler _____

Contractor _____

Architect/Engineer _____



ADA Compliant



Rough-in: ϕ 1 1/8" [29mm] Holes

Product Specifications:

4" Centerset Commercial Mixing Faucet with Eterna Cartridges, Lever Handles and 1.5 GPM Aerator

Drawn KJG	Checked GEF	Approved JHB
Scale: 1:2		Date: 06/16/11



T&S BRASS AND BRONZE WORKS, INC.

2 Saddleback Cove / P.O. Box 1088
Travelers Rest, SC 29690



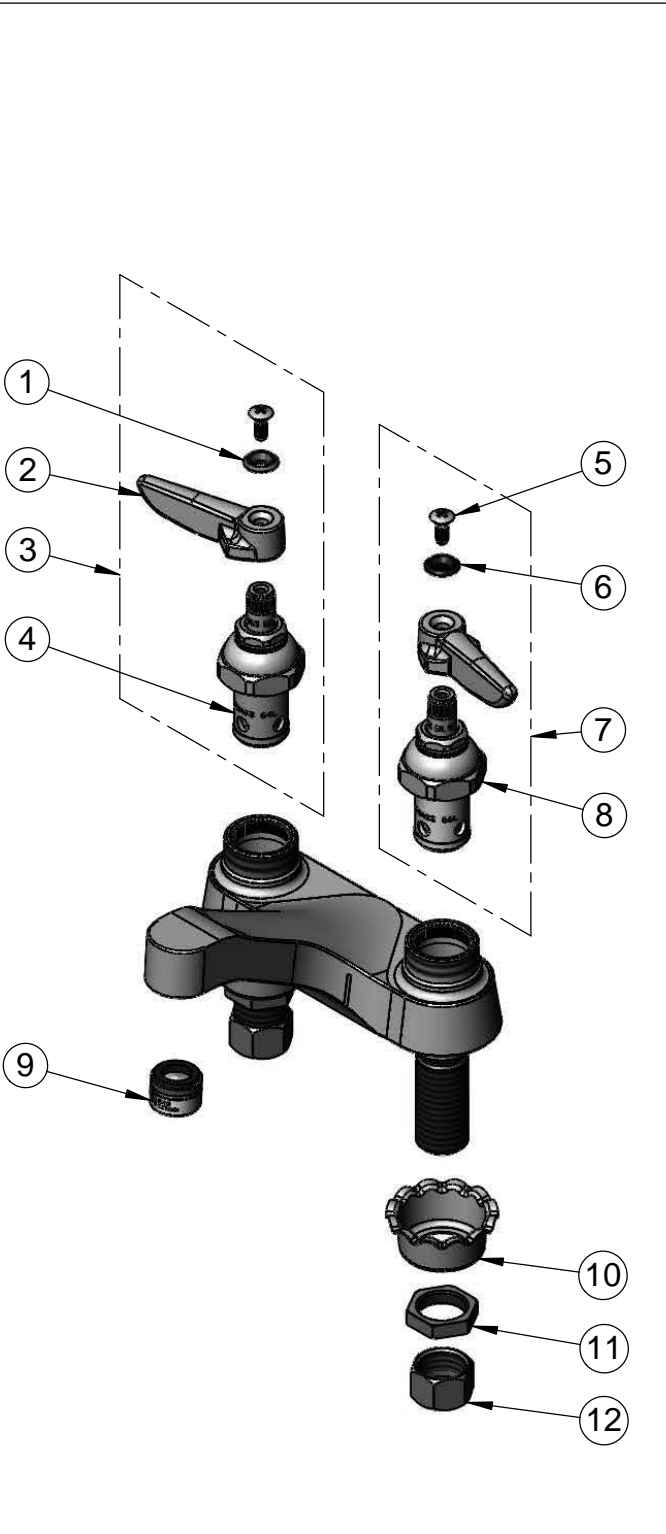
REG. #A2601
ISO #9001

Model No.

B-0871-WS

Item No.

Travelers Rest, SC: 800-476-4103 Simi Valley, CA: 800-423-0150 Fax: 864-834-3518 www.tsbrass.com



ITEM NO.	SALES NO.	DESCRIPTION
1	001661-45	Red Index-HW
2	001638-45	Lever Handle
3	002714-40	Hot Eterna Spindle Asm w/ Handle, Index & Screw
4	005960-40	Spindle Asm, Eterna "Hot"
5	000922-45	Lever Handle Screw
6	001660-45	Blue Index-CW
7	002713-40	Cold Eterna Spindle Asm w/ Handle, Index & Screw
8	005959-40	Spindle Asm, Eterna "Cold"
9	B-0199-03-WS	1.5 GPM Aerator, 13/16-27 Male
10	001000-45	Rosette Washer
11	002954-45	Shank Lock Nut
12	000958-20	Coupling Nut

Product Specifications:

4" Centerset Commercial Mixing Faucet with Eterna Cartridges, Lever Handles and 1.5 GPM Aerator

Drawn	Checked	Approved
KJG	GEF	JHB
Scale:		Date:
NTS		06/16/11