



T&S BRASS AND BRONZE WORKS, INC.

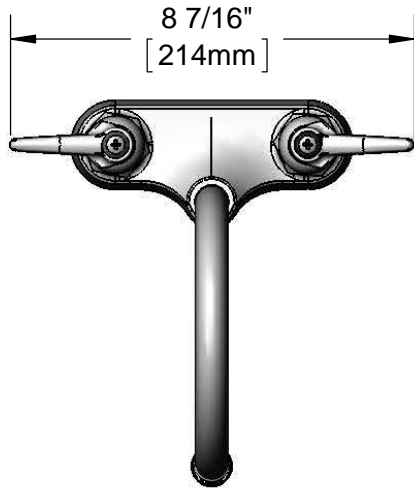
2 Saddleback Cove / P.O. Box 1088
Travelers Rest, SC 29690

Model No.

B-0874-122X-CR

Item No.

Travelers Rest, SC: 800-476-4103 • Simi Valley, CA: 800-423-0150 • Fax: 864-834-3518 • www.tsbrass.com



8 7/16"
[214mm]



ADA Compliant

This Space for Architect/Engineer Approval

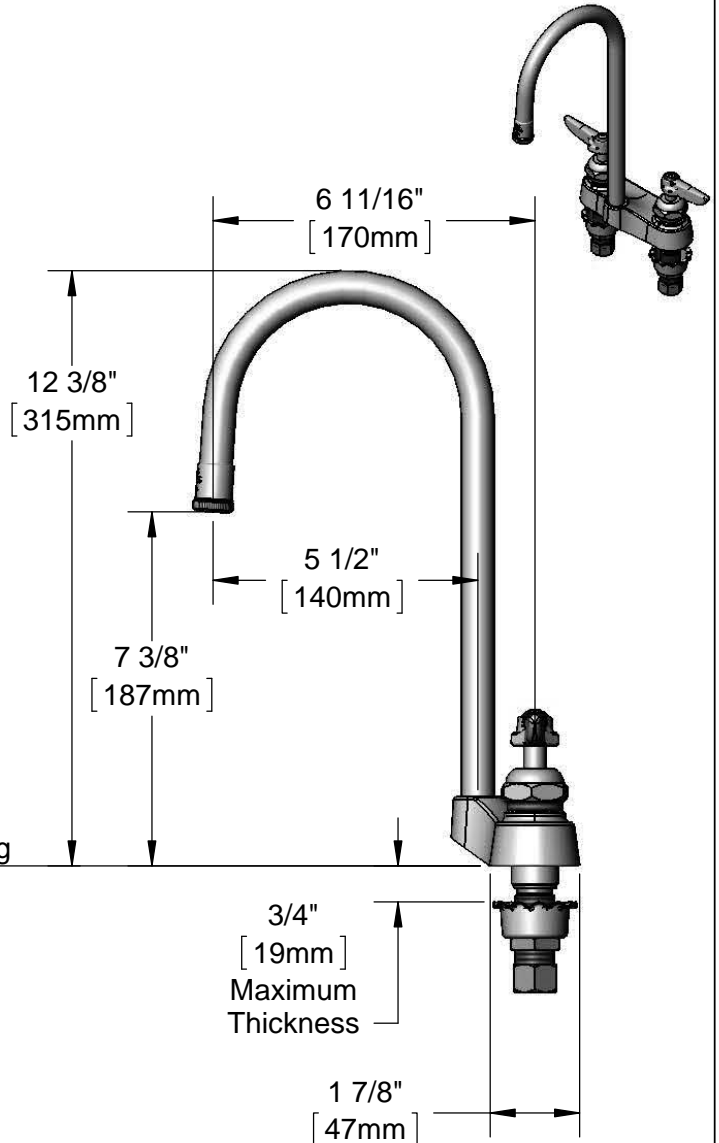
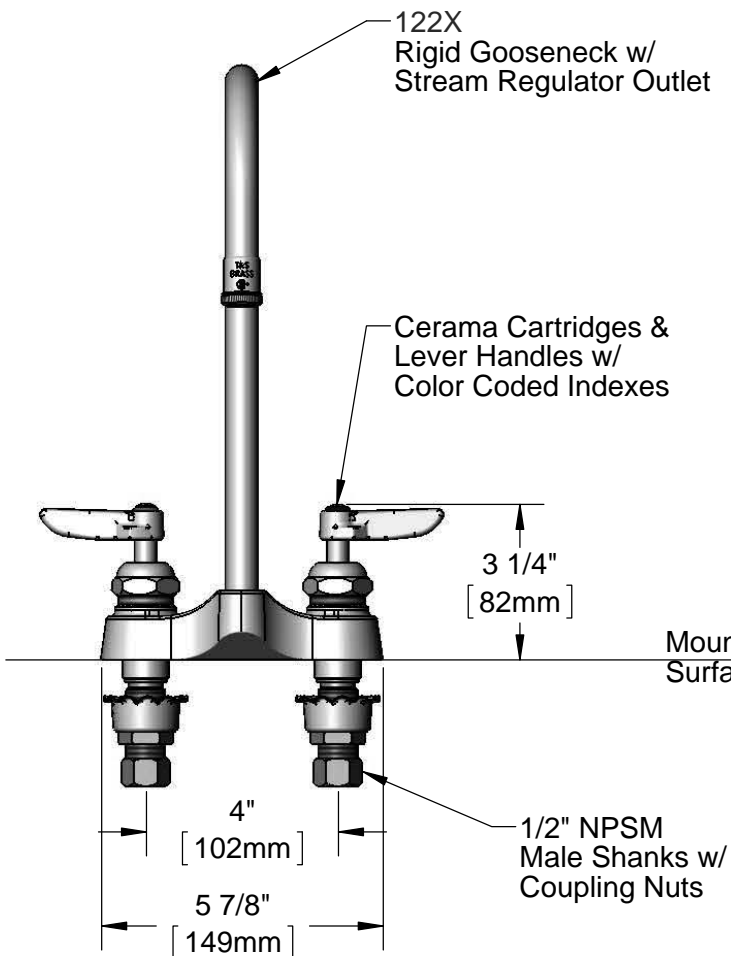
Job Name _____ Date _____

Model Specified _____ Quantity _____

Customer/Wholesaler _____

Contractor _____

Architect/Engineer _____



Rough-In Requirement:
(2) ϕ 1 1/8" [29mm] Mounting Holes

Product Specifications:
4" Centerset Mixing Faucet w/ Cerama Cartridges, Lever Handles, Rigid Gooseneck w/ Stream Regulator Outlet, & 1/2" NPSM Male Shanks

Drawn
KJG

Checked
JRM

Approved
JHB

Scale:
1:4

Date:
11/26/13



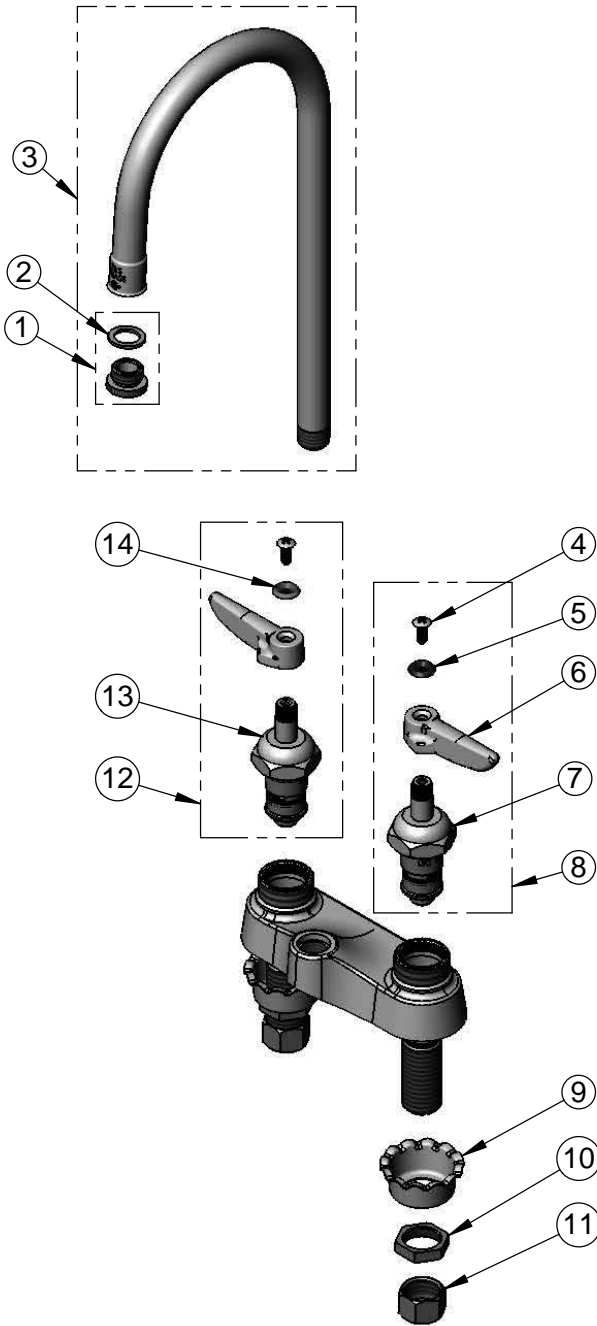
T&S BRASS AND BRONZE WORKS, INC.
 2 Saddleback Cove / P.O. Box 1088
 Travelers Rest, SC 29690

Model No.
B-0874-122X-CR

Item No.

Travelers Rest, SC: 800-476-4103 • Simi Valley, CA: 800-423-0150 • Fax: 864-834-3518 • www.tsbrass.com

| ITEM NO. | SALES NO. | DESCRIPTION |
|----------|-----------|---|
| 1 | B-LT | Stream Regulator Outlet |
| 2 | 001043-45 | Washer |
| 3 | 122X | Rigid Gooseneck w/ B-LT Stream Regulator Outlet |
| 4 | 000922-45 | Lever Handle Screw |
| 5 | 001660-45 | Blue Index-CW |
| 6 | 001638-45 | Lever Handle |
| 7 | 011279-25 | Cerama Cartridge, LTC |
| 8 | 012445-25 | Cerama Cartridge, LTC w/ Handle, Index & Screw |
| 9 | 001000-45 | Rosette Washer |
| 10 | 002954-45 | Shank Lock Nut |
| 11 | 000958-20 | Coupling Nut |
| 12 | 012444-25 | Cerama Cartridge, RTC w/ Handle, Index & Screw |
| 13 | 011278-25 | Cerama Cartridge, RTC |
| 14 | 001661-45 | Red Index-HW |



Product Specifications:
 4" Centerset Mixing Faucet w/ Cerama Cartridges, Lever Handles, Rigid Gooseneck w/ Stream Regulator Outlet, & 1/2" NPSM Male Shanks

| | | |
|----------------------|-----------------------|--------------------------|
| Drawn KJG | Checked JRM | Approved JHB |
| Scale: NTS | | Date: 11/26/13 |