



T&S BRASS AND BRONZE WORKS, INC.

2 Saddleback Cove / P.O. Box 1088
Travelers Rest, SC 29690

Model No.

B-0890-CR-VRS

Item No.

Travelers Rest, SC: 800-476-4103 • Simi Valley, CA: 800-423-0150 • Fax: 864-834-3518 • www.tsbrass.com



ADA Compliant

This Space for Architect/Engineer Approval

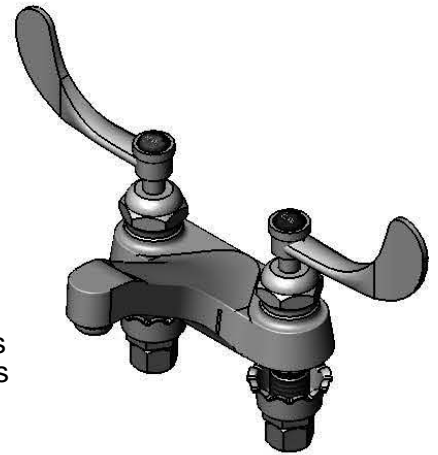
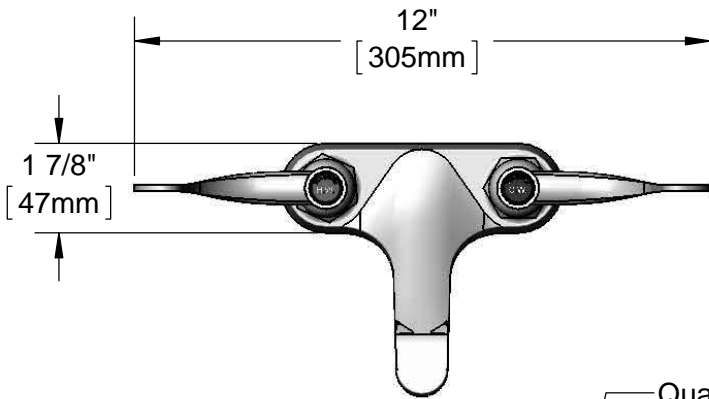
Job Name _____ Date _____

Model Specified _____ Quantity _____

Customer/Wholesaler _____

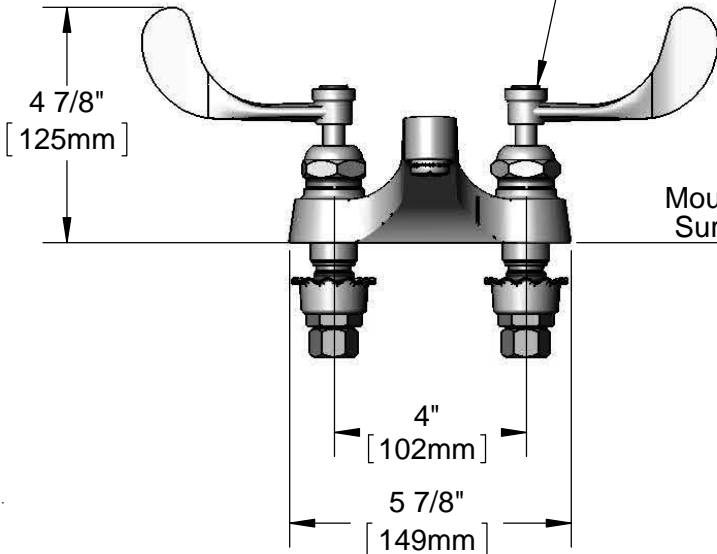
Contractor _____

Architect/Engineer _____

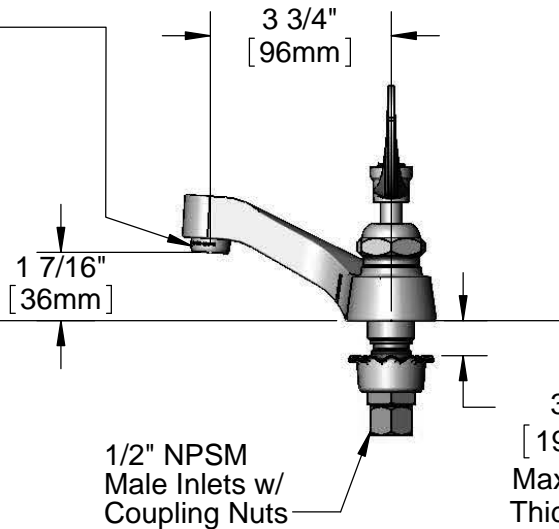


Quarter-Turn Cerama Cartridges & Lever Handles w/ Vandal Resistant Screws & Color Coded Indexes

B-0199-03
2.2 GPM
Aerator



Mounting Surface



Rough-In Requirement:
(2) ϕ 1 1/8" [29mm] Mounting Holes

Product Specifications:

4" Centerset Deck Mount Mixing Faucet, Quarter-Turn Cerama Cartridges, 4" Wrist Action Handles w/ Vandal Resistant Screws, 2.2 GPM Aerator & 1/2" NPSM Male Inlets w/ Coupling Nuts

Product Compliance:

ASME A112.18.1 / CSA B125.1
NSF 61 - Section 9
NSF 372 (Low Lead Content)
ANSI A117.1 (ADA)



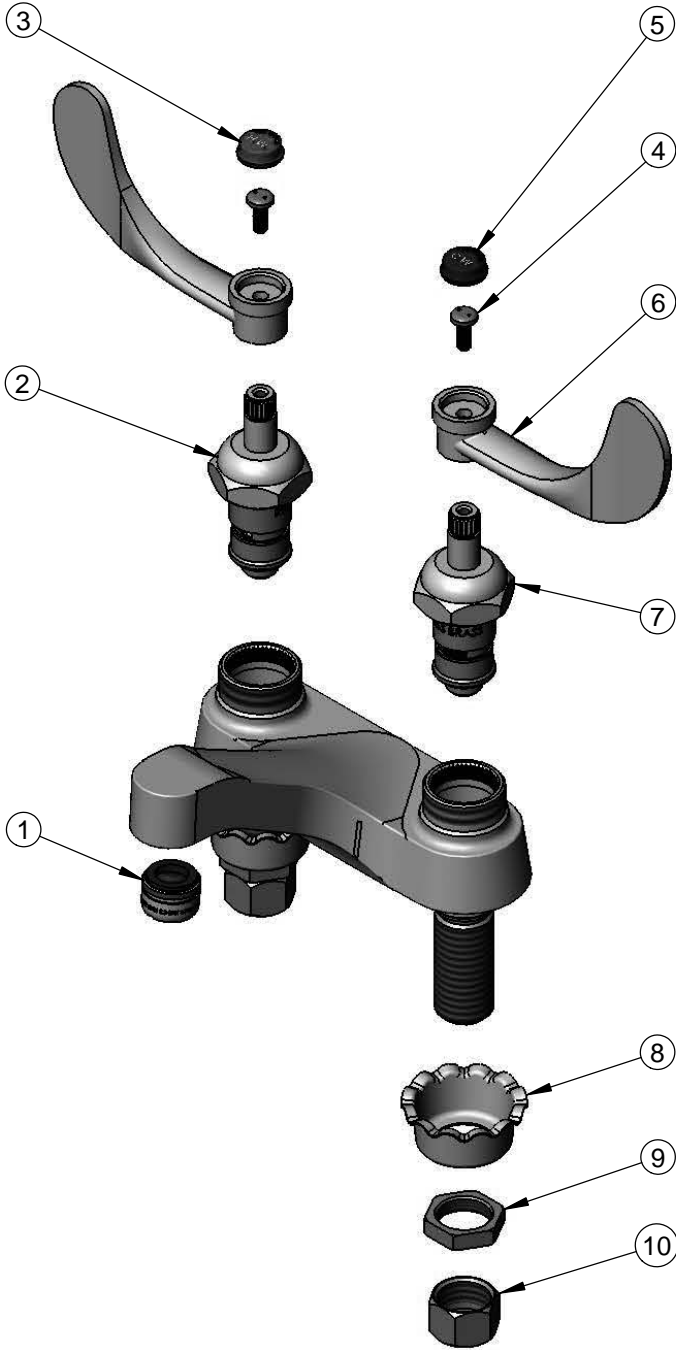
T&S BRASS AND BRONZE WORKS, INC.
 2 Saddleback Cove / P.O. Box 1088
 Travelers Rest, SC 29690

Model No.
B-0890-CR-VRS

Item No.

Travelers Rest, SC: 800-476-4103 • Simi Valley, CA: 800-423-0150 • Fax: 864-834-3518 • www.tsbrass.com

ITEM NO.	SALES NO.	DESCRIPTION
1	B-0199-03	2.2 GPM Aerator, 13/16-27 UN Male
2	011278-25	Quarter-Turn Cerama Cartridge, RTC
3	001194-45	Red Index - HW
4	VRS-2	VR Screw (2) w/ Spanner Bit
5	001686-45	Blue Index - CW
6	B-WH4	4" Wrist Action Handle
7	011279-25	Quarter-Turn Cerama Cartridge, LTC
8	001000-45	Rosette Washer
9	002954-45	Shank Lock Nut
10	000958-20	Coupling Nut



014075-45
 Vandal Resistant
 #10 Spanner Bit

Product Specifications:
 4" Centerset Deck Mount Mixing Faucet, Quarter-Turn Cerama Cartridges, 4"
 Wrist Action Handles w/ Vandal Resistant Screws, 2.2 GPM Aerator & 1/2"
 NPSM Male Inlets w/ Coupling Nuts

Product Compliance:
 ASME A112.18.1 / CSA B125.1
 NSF 61 - Section 9
 NSF 372 (Low Lead Content)
 ANSI A117.1 (ADA)