



T&S BRASS AND BRONZE WORKS, INC.

2 Saddleback Cove / P.O. Box 1088
Travelers Rest, SC 29690



REG. #A2601
ISO #9001

Model No.
B-0890-CR-WS

Item No.

Travelers Rest, SC: 800-476-4103 Simi Valley, CA: 800-423-0150 Fax: 864-834-3518 www.tsbrass.com

This Space for Architect/Engineer Approval

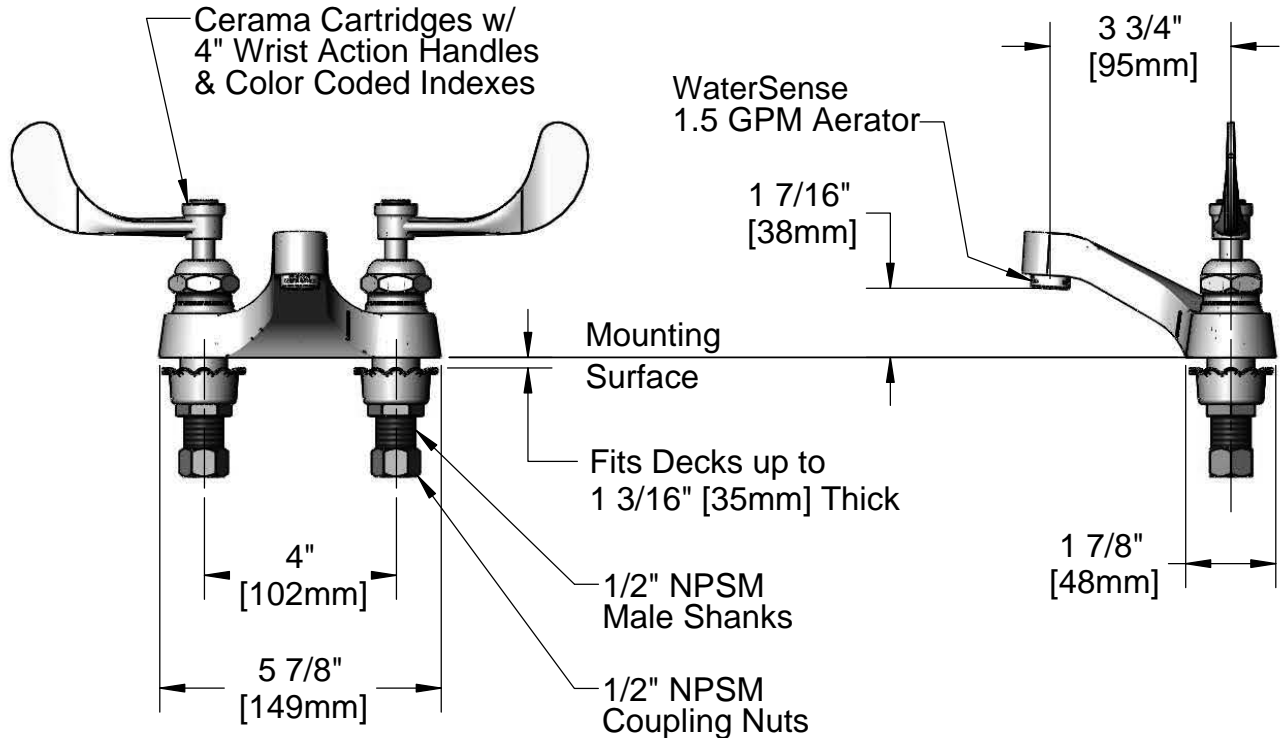
Job Name _____ Date _____

Model Specified _____ Quantity _____

Customer/Wholesaler _____

Contractor _____

Architect/Engineer _____



Rough-in Requirement: ϕ 1 1/8" [29mm] Holes

Product Specifications:

**4" Centerset Mixing Faucet w/ Cerama Cartridges,
Wrist Action Handles & 1.5 GPM Aerator**

Drawn KJG	Checked GEF	Approved JHB
Scale: 1:4		Date: 06/16/11



T&S BRASS AND BRONZE WORKS, INC.

2 Saddleback Cove / P.O. Box 1088
Travelers Rest, SC 29690



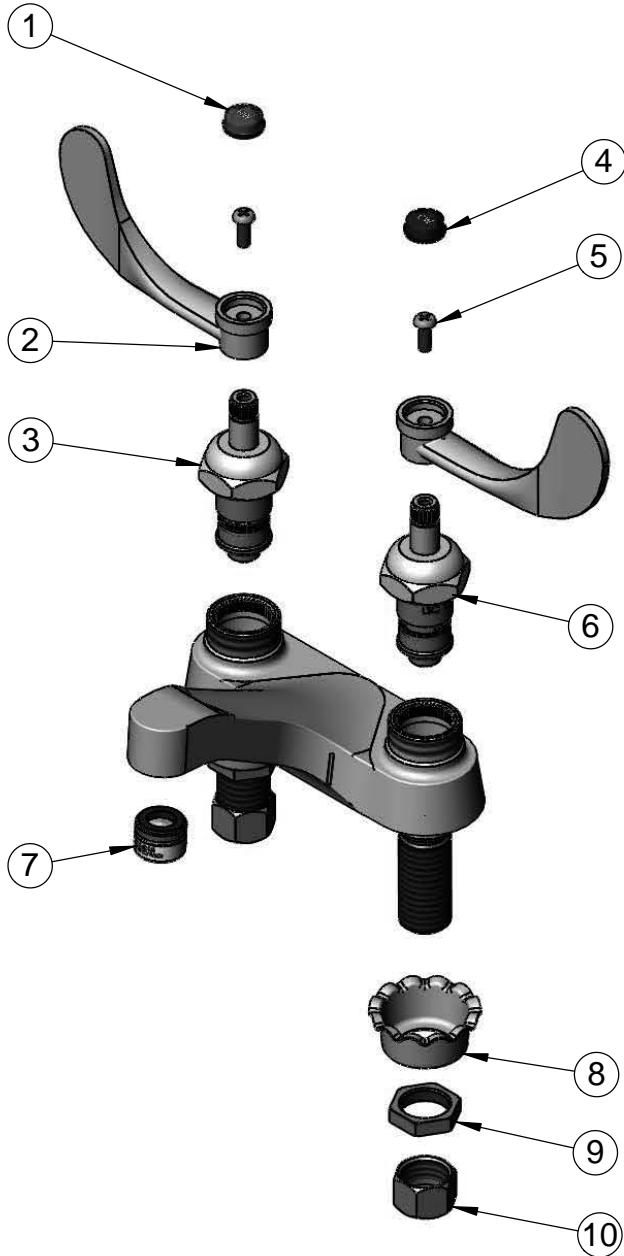
REG. #A2601
ISO #9001

Model No.

B-0890-CR-WS

Item No.

Travelers Rest, SC: 800-476-4103 Simi Valley, CA: 800-423-0150 Fax: 864-834-3518 www.tsbrass.com



ITEM NO.	SALES NO.	DESCRIPTION
1	001194-45	Red HW Index
2	B-WH4	4" Wrist Action Handle
3	001278-25	Ceramic Cartridge, Hot
4	001686-45	Blue CW Index
5	000925-45	Lab Handle Screw
6	001279-25	Ceramic Cartridge, Cold
7	B-0199-03-WS	1.5 GPM Aerator, 13/16-27 Male
8	001000-45	Rosette Washer
9	002954-45	Shank Lock Nut
10	000958-20	Coupling Nut

Product Specifications:

4" Centerset Mixing Faucet w/ Cerama Cartridges,
Wrist Action Handles & 1.5 GPM Aerator

Drawn	Checked	Approved
KJG	GEF	JHB
Scale:		Date:
NTS		06/16/11