



T&S BRASS AND BRONZE WORKS, INC.

2 Saddleback Cove / P.O. Box 1088
Travelers Rest, SC 29690



REG. #A2601
ISO #9001

Model No.

B-0890-F05

Item No.

Travelers Rest, SC: 800-476-4103 Simi Valley, CA: 800-423-0150 Fax: 864-834-3518 www.tsbrass.com

This Space for Architect/Engineer Approval

Job Name _____ Date _____

Model Specified _____ Quantity _____

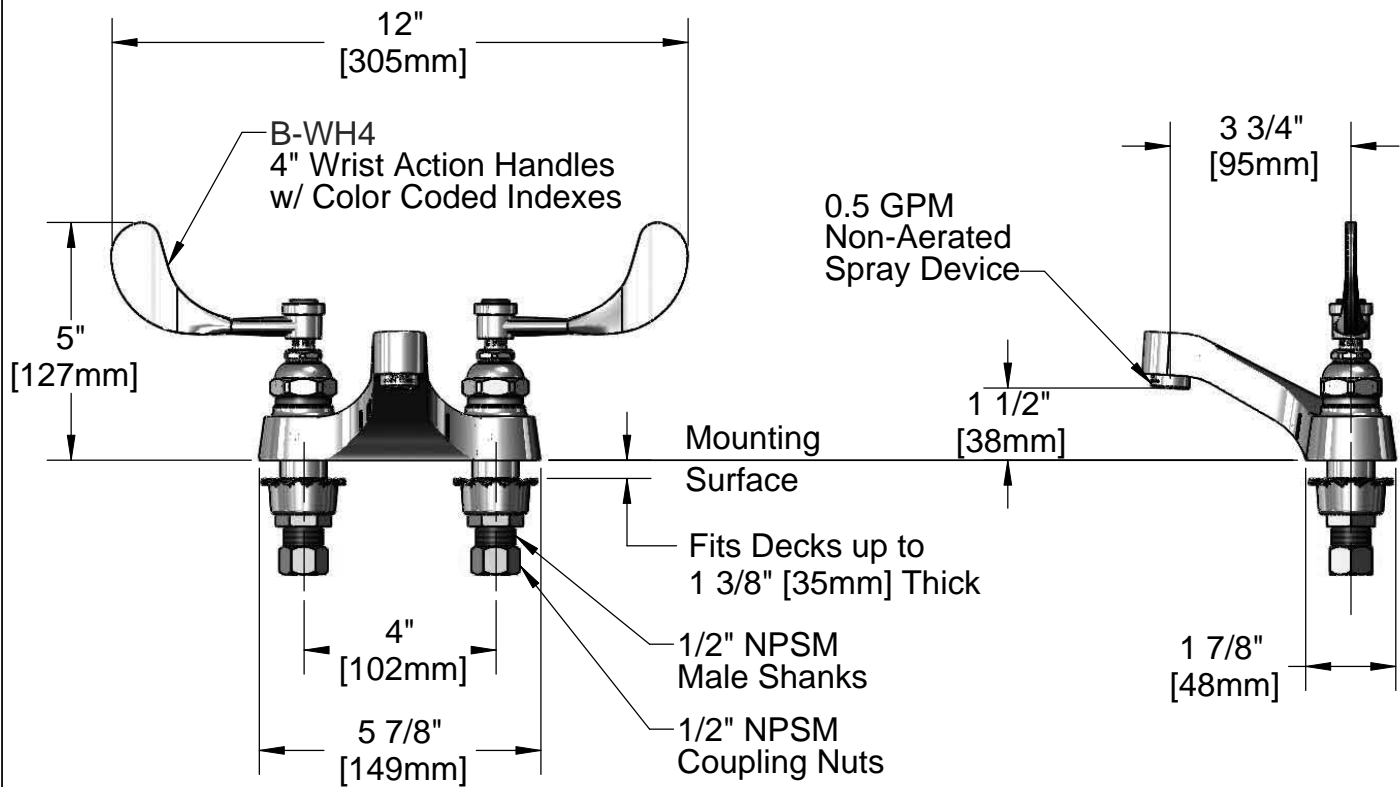
Customer/Wholesaler _____

Contractor _____

Architect/Engineer _____



ADA Compliant



Rough-in Requirement: ϕ 1 1/8" [29mm] Holes

Product Specifications:

Medical Deck Mounting Mixing Faucet w/ Eterna Cartridges, Wrist Action Handles & 0.5 GPM Non-Aerated Spray Device

Drawn DMH	Checked KJG	Approved JHB
Scale: 1:4		Date: 07/09/10



T&S BRASS AND BRONZE WORKS, INC.

2 Saddleback Cove / P.O. Box 1088
Travelers Rest, SC 29690



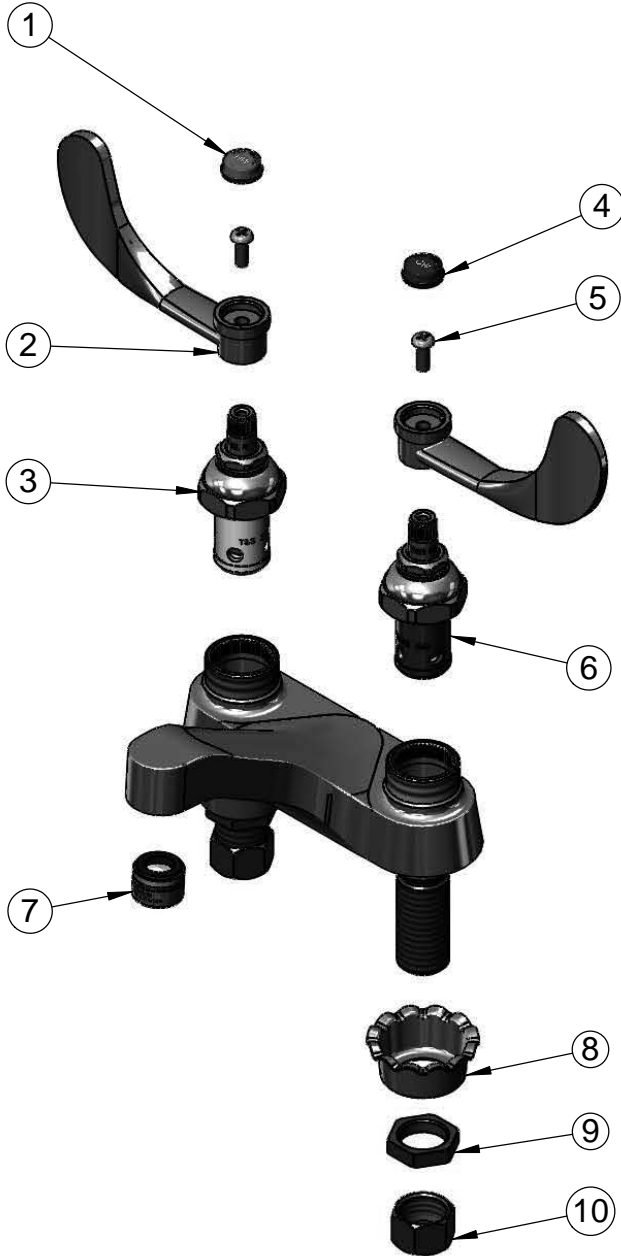
REG. #A2601
ISO #9001

Model No.

B-0890-F05

Item No.

Travelers Rest, SC: 800-476-4103 Simi Valley, CA: 800-423-0150 Fax: 864-834-3518 www.tsbrass.com



ITEM NO.	SALES NO.	DESCRIPTION
1	001194-45	Red HW Index
2	B-WH4	4" Wrist Action Handle
3	006010-40	Spindle Asm, Eterna "Hot"
4	001686-45	Blue CW Index
5	000925-45	Lab Handle Screw
6	006009-40	Spindle Asm, Eterna "Cold"
7	B-0199-03-N05	0.5 GPM Spray Device, 13/16-27 Male
8	001000-45	Rosette Washer
9	002954-45	Shank Lock Nut
10	000958-20	Coupling Nut

Product Specifications:

Medical Deck Mounting Mixing Faucet w/ Eterna Cartridges, Wrist Action Handles & 0.5 GPM Non-Aerated Spray Device

Drawn

DMH

Checked

KJG

Approved

JHB

Scale:

NTS

Date:

07/09/10