



T&S BRASS AND BRONZE WORKS, INC.
 2 Saddleback Cove / P.O. Box 1088
 Travelers Rest, SC 29690

Model No.
B-0890-QT-VRS

Item No.

Travelers Rest, SC: 800-476-4103 • Simi Valley, CA: 800-423-0150 • Fax: 864-834-3518 • www.tsbrass.com

This Space for Architect/Engineer Approval

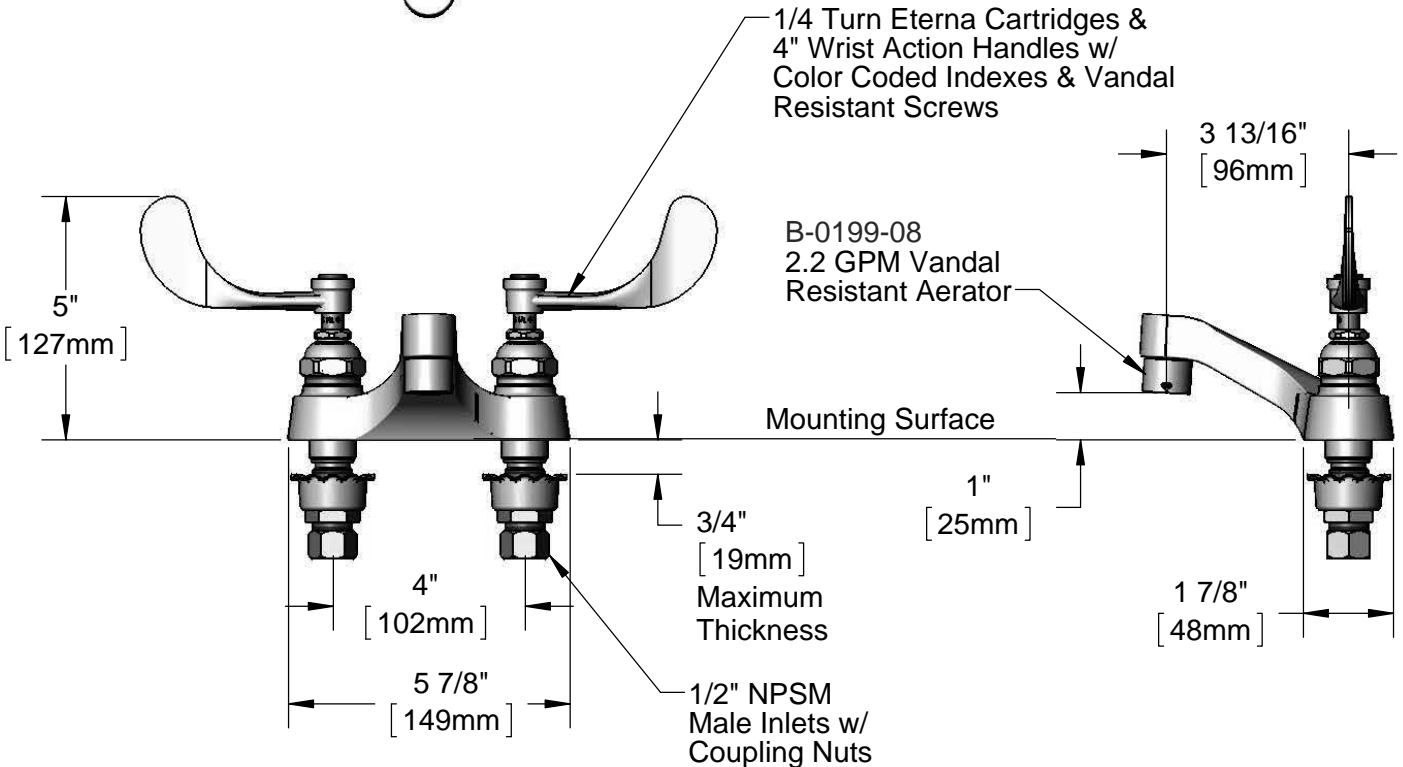
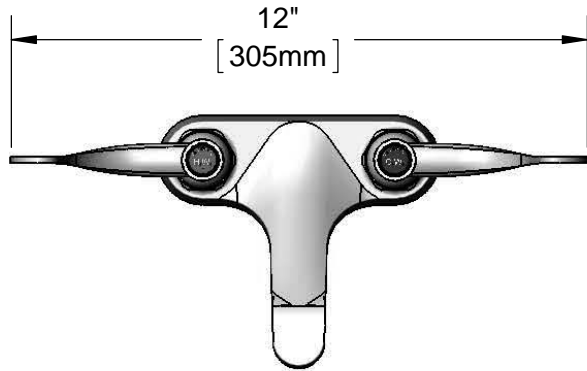
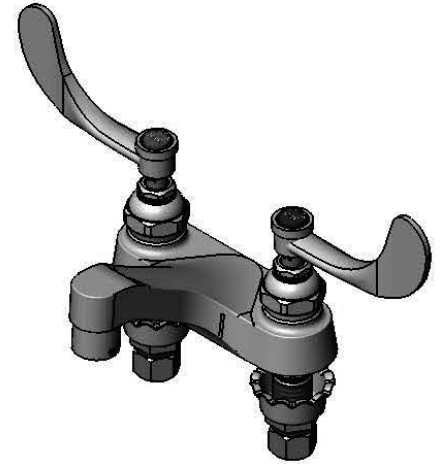
Job Name _____ Date _____

Model Specified _____ Quantity _____

Customer/Wholesaler _____

Contractor _____

Architect/Engineer _____



Rough-In Requirement:
 (2) ϕ 1" [25mm] Mounting Holes

Product Specifications:
 4" Centerset Faucet w/ 1/4 Turn Eterna Cartridges,
 4" Wrist Action Handles, 2.2 GPM Vandal Resistant
 Aerator & Vandal Resistant Screws

Drawn KJG	Checked DHL	Approved JHB
Scale: 1:4		Date: 06/14/12



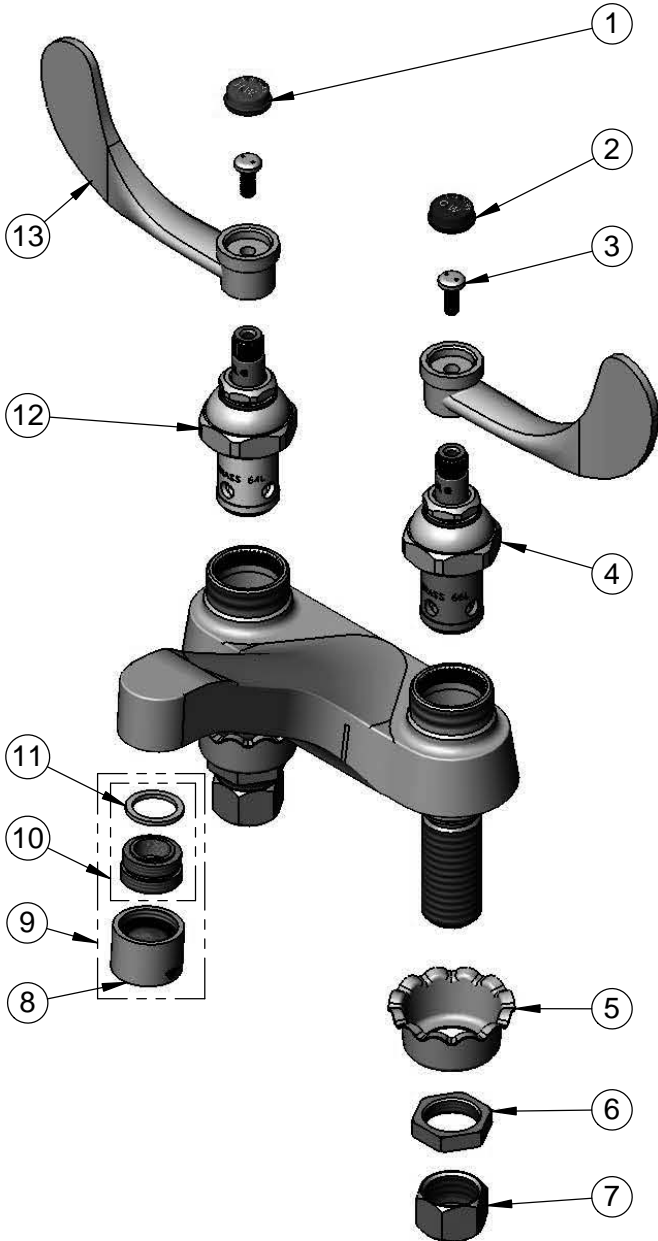
T&S BRASS AND BRONZE WORKS, INC.
 2 Saddleback Cove / P.O. Box 1088
 Travelers Rest, SC 29690

Model No.
B-0890-QT-VRS

Item No.

Travelers Rest, SC: 800-476-4103 • Simi Valley, CA: 800-423-0150 • Fax: 864-834-3518 • www.tsbrass.com

ITEM NO.	SALES NO.	DESCRIPTION
1	001194-45	Red HW Index
2	001686-45	Blue CW Index
3	VRS-2	VR Screw w/ Spanner Bit
4	006009-40QT	1/4 Turn Eterna Cartridge, LTC (Teflon)
5	001000-45	Rosette Washer
6	002954-45	Shank Lock Nut
7	000958-20	Coupling Nut
8	B-0199-06	VR Aerator w/ Key
9	B-0199-08	2.2 GPM Vandal Resistant Aerator, 13/16-27UN Male
10	001651-47	Aerator Adapter & Washer
11	001048-45	Nozzle Tip Washer
12	006010-40QT	1/4 Turn Eterna Cartridge, RTC (Teflon)
13	B-WH4	4" Wrist Action Handle



Product Specifications:
 4" Centerset Faucet w/ 1/4 Turn Eterna Cartridges,
 4" Wrist Action Handles, 2.2 GPM Vandal Resistant
 Aerator & Vandal Resistant Screws

Drawn KJG	Checked DHL	Approved JHB
Scale: NTS		Date: 06/14/12