

T&S BRASS AND BRONZE WORKS, INC.
 2 Saddleback Cove / P.O. Box 1088
 Travelers Rest, SC 29690

Model No.
B-0890-QT-WS

Item No.

Travelers Rest, SC: 800-476-4103 • Simi Valley, CA: 800-423-0150 • Fax: 864-834-3518 • www.tsbrass.com



ADA Compliant

This Space for Architect/Engineer Approval

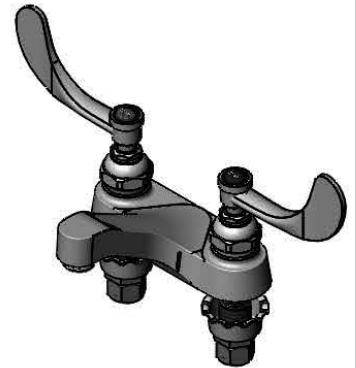
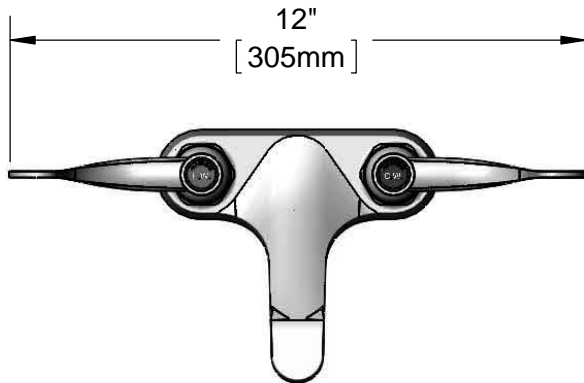
Job Name _____ Date _____

Model Specified _____ Quantity _____

Customer/Wholesaler _____

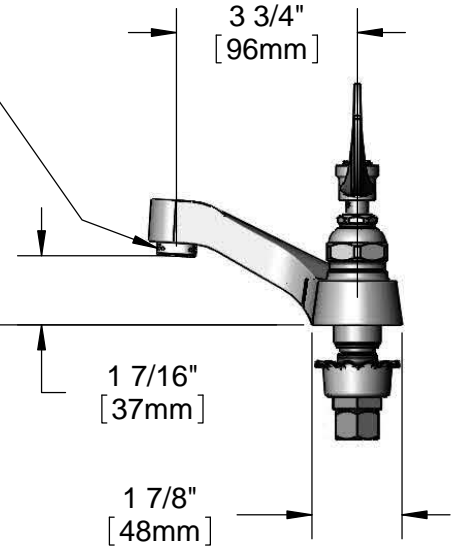
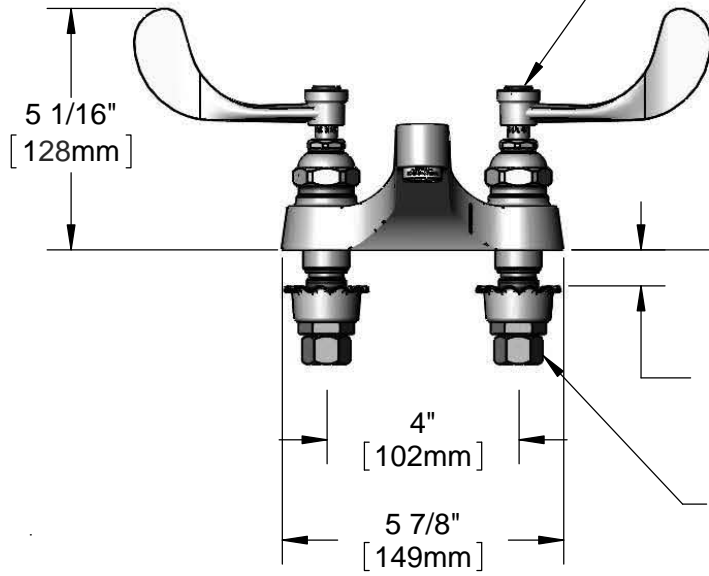
Contractor _____

Architect/Engineer _____



1/4 Turn Eterna Cartridges
 w/ 4" Wrist Action Handles
 & Color Coded Indexes

B-0199-03-WS
 1.5 GPM Aerator



Mounting Surface

3/4" [19mm]
 Maximum
 Thickness

1/2" NPSM
 Male Inlets w/
 Coupling Nuts

Rough-In Requirement:
 (2) ϕ 1 1/8" [30mm] Mounting Holes

Product Specifications:
 4" Centerset Mixing Faucet w/ Quarter Turn Eterna Cartridges,
 4" Wrist Action Handles & 1.5 GPM Aerator

Product Compliance:
 ASME A112.18.1 / CSA B125.1
 NSF 61 - Section 9
 ANSI A117.1 (ADA)

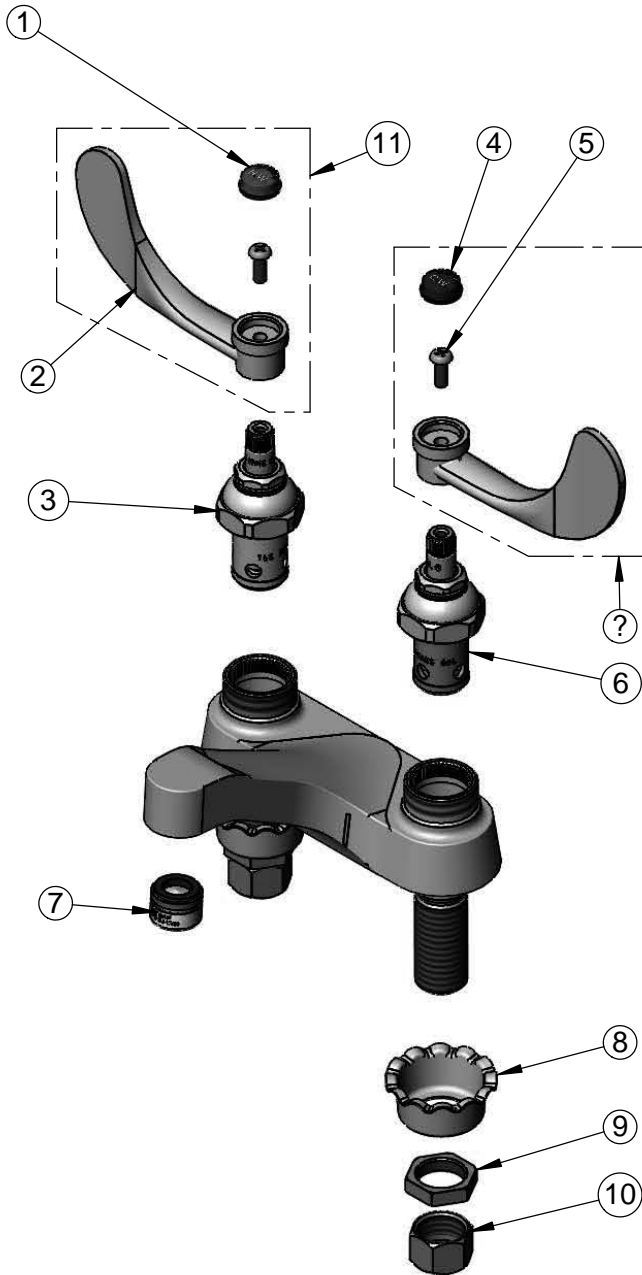


T&S BRASS AND BRONZE WORKS, INC.
 2 Saddleback Cove / P.O. Box 1088
 Travelers Rest, SC 29690

Model No.
B-0890-QT-WS
 Item No.

Travelers Rest, SC: 800-476-4103 • Simi Valley, CA: 800-423-0150 • Fax: 864-834-3518 • www.tsbrass.com

ITEM NO.	SALES NO.	DESCRIPTION
1	001194-45	Red Index - HW
2	B-WH4	4" Wrist Action Handle
3	006010-40QT	Quarter-Turn Eterna Cartridge, RTC (Teflon)
4	001686-45	Blue Index - CW
5	000925-45	Lab Handle Screw
6	006009-40QT	Quarter-Turn Eterna Cartridge, LTC (Teflon)
7	B-0199-03-WS	1.5 GPM Aerator, 13/16-27 UN Male
8	001000-45	Rosette Washer
9	002954-45	Shank Lock Nut
10	000958-20	Coupling Nut
11	B-WH4H	4" Wrist Action Handle, Screw & Hot Index
12	B-WH4C	4" Wrist Action Handle, Screw & Cold Index



Product Specifications:
 4" Centerset Mixing Faucet w/ Quarter Turn Eterna Cartridges,
 4" Wrist Action Handles & 1.5 GPM Aerator

Product Compliance:
 ASME A112.18.1 / CSA B125.1
 NSF 61 - Section 9
 ANSI A117.1 (ADA)