



T&S BRASS AND BRONZE WORKS, INC.

2 Saddleback Cove / P.O. Box 1088
Travelers Rest, SC 29690

Model No.

B-0890-QT

Item No.

Travelers Rest, SC: 800-476-4103 • Simi Valley, CA: 800-423-0150 • Fax: 864-834-3518 • www.tsbrass.com

This Space for Architect/Engineer Approval

Job Name _____ Date _____

Model Specified _____ Quantity _____

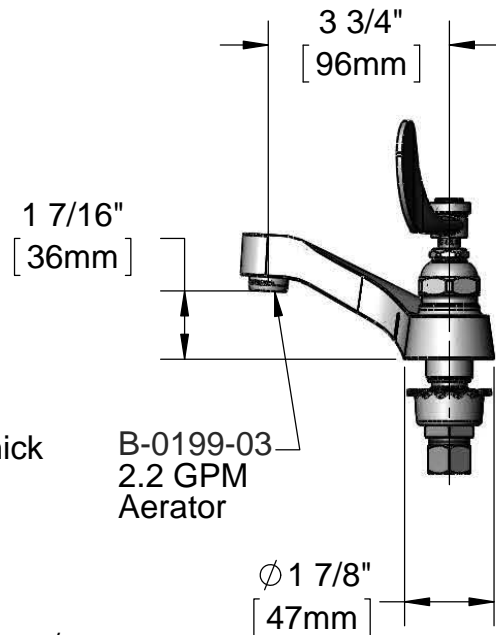
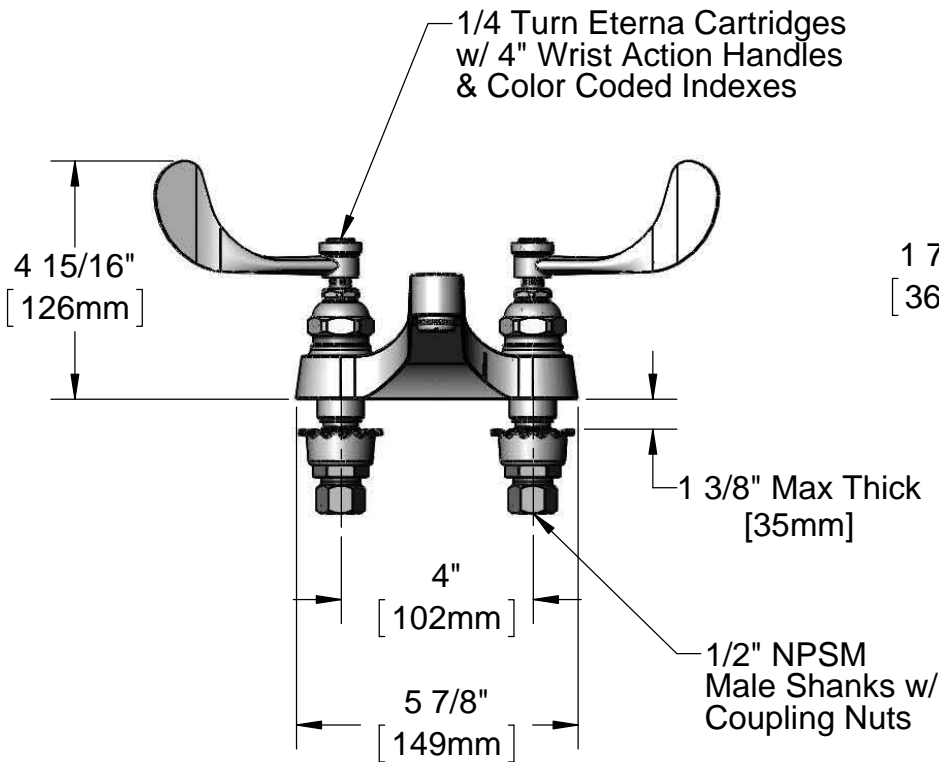
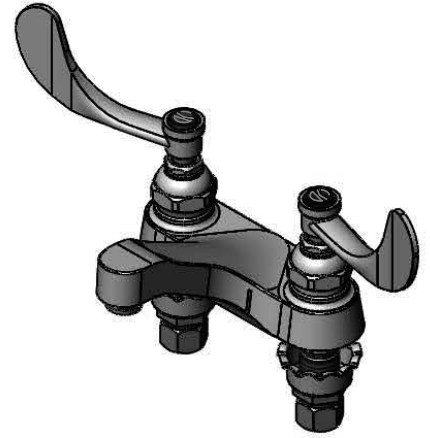
Customer/Wholesaler _____

Contractor _____

Architect/Engineer _____



ADA Compliant



Rough-in Requirement:
(2) Ø 1 1/8" [30mm] Holes

Product Specifications:
4" Centerset Mixing Faucet w/ Quarter Turn Eterna Cartridges,
4" Wrist Action Handles & 2.2 GPM Aerator

Drawn

DMH

Checked

KJG

Approved

JHB

Scale:

1:4

Date:

02/24/12



T&S BRASS AND BRONZE WORKS, INC.

2 Saddleback Cove / P.O. Box 1088
Travelers Rest, SC 29690

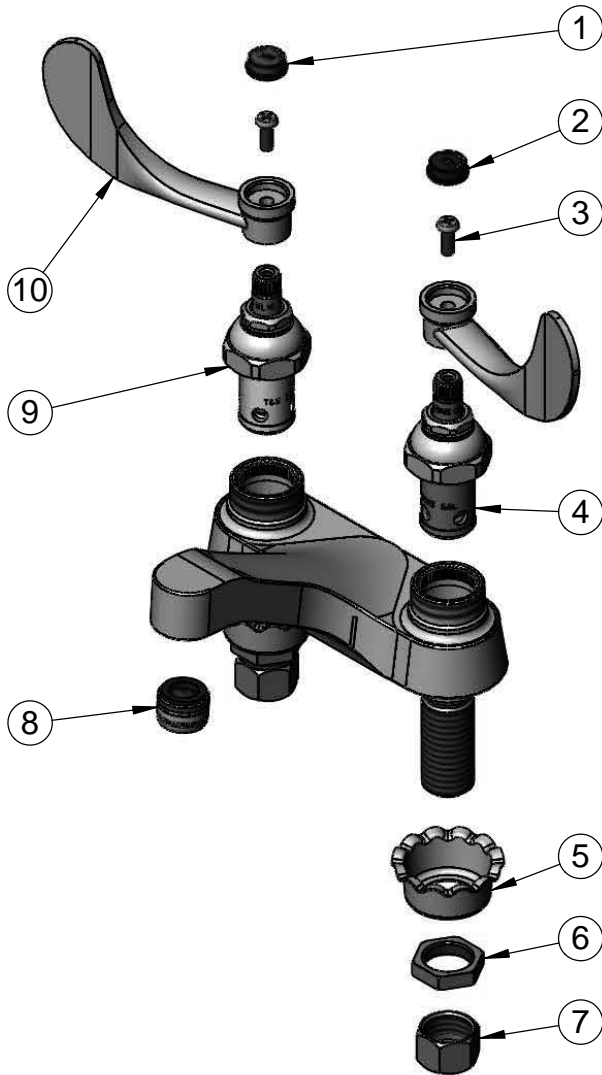
Model No.

B-0890-QT

Item No.

Travelers Rest, SC: 800-476-4103 • Simi Valley, CA: 800-423-0150 • Fax: 864-834-3518 • www.tsbrass.com

ITEM NO.	SALES NO.	DESCRIPTION
1	001194-45	Red HW Index
2	001686-45	Blue CW Index
3	000925-45	Lab Handle Screw
4	006009-40QT	1/4 Turn Eterna Cartridge, LTC
5	001000-45	Rosette Washer
6	002954-45	Shank Lock Nut
7	000958-20	Coupling Nut
8	B-0199-03	2.2 GPM Aerator
9	006010-40QT	1/4 Turn Eterna Cartridge, RTC
10	B-WH4	4" Wrist Action Handle



Product Specifications:
4" Centerset Mixing Faucet w/ Quarter Turn Eterna Cartridges,
4" Wrist Action Handles & 2.2 GPM Aerator

Drawn

DMH

Checked

KJG

Approved

JHB

Scale:

NTS

Date:

02/24/12