



T&S BRASS AND BRONZE WORKS, INC.

2 Saddleback Cove / P.O. Box 1088
Travelers Rest, SC 29690

Model No.

B-0890-VF05-QT

Item No.

Travelers Rest, SC: 800-476-4103 • Simi Valley, CA: 800-423-0150 • Fax: 864-834-3518 • www.tsbrass.com

This Space for Architect/Engineer Approval

Job Name _____ Date _____

Model Specified _____ Quantity _____

Customer/Wholesaler _____

Contractor _____

Architect/Engineer _____

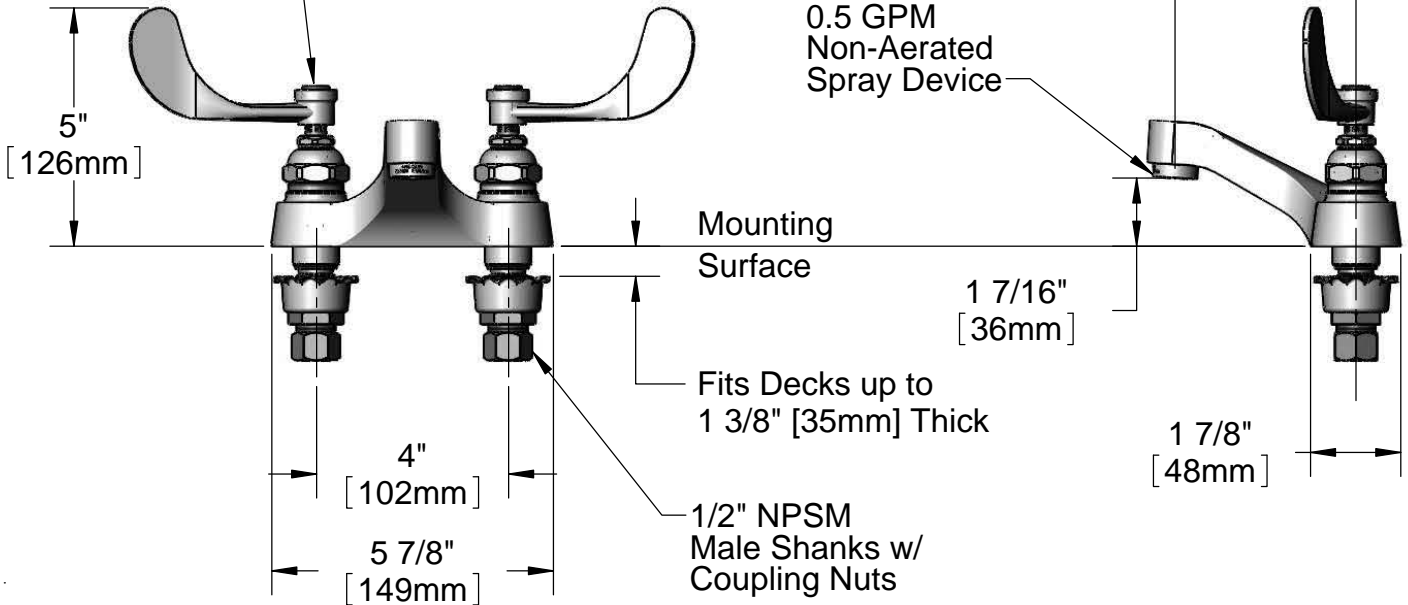


ADA Compliant



1/4 Turn Eterna Cartridges
w/ 4" Wrist Action Handles,
Color Coded Indexes &
Vandal Resistant Screws

Vandal Resistant
0.5 GPM
Non-Aerated
Spray Device



Rough-in Requirement:
(2) \varnothing 1 1/8" [30mm] Holes

Product Specifications:

4" Centerset Deck Mounted Mixing Faucet w/ Quarter Turn Eterna Cartridges, 4" Wrist Action Handles, Vandal Resistant Screws & 0.5 GPM Vandal Resistant Non-Aerated Spray Device

Drawn

DMH

Checked

KJG

Approved

JHB

Scale:

1:4

Date:

02/24/12



T&S BRASS AND BRONZE WORKS, INC.

2 Saddleback Cove / P.O. Box 1088
Travelers Rest, SC 29690

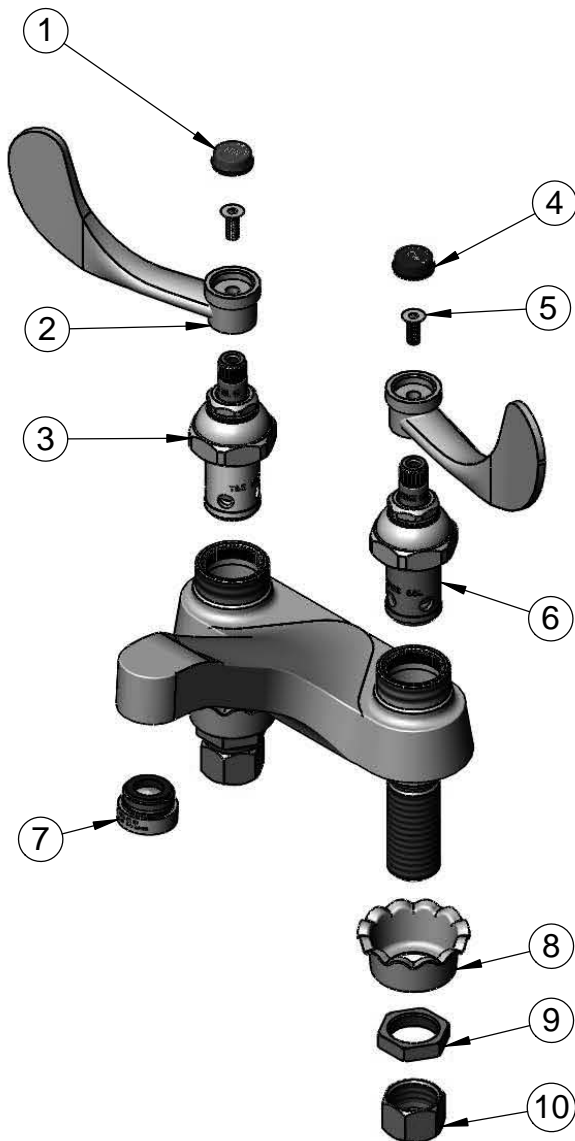
Model No.

B-0890-VF05-QT

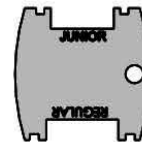
Item No.

Travelers Rest, SC: 800-476-4103 • Simi Valley, CA: 800-423-0150 • Fax: 864-834-3518 • www.tsbrass.com

ITEM NO.	SALES NO.	DESCRIPTION
1	001194-45	Red HW Index
2	B-WH4	4" Wrist Action Handle
3	006010-40QT	1/4 Turn Eterna Cartridge RTC (Teflon)
4	001686-45	Blue CW Index
5	010586-45	Pin-In-Socket Screw
6	006009-40QT	1/4 Turn Eterna Cartridge LTC (Teflon)
7	B-0199-08-N05	0.5 GPM VR Spray Device, 13/16-27 Male
8	001000-45	Rosette Washer
9	002954-45	Shank Lock Nut
10	000958-20	Coupling Nut



010587-45
Vandal Resistant Hex Key



015425-45
Vandal Resistant Aerator Key
(Included with Spray Device)

Product Specifications:

4" Centerset Deck Mounted Mixing Faucet w/ Quarter Turn Eterna Cartridges, 4" Wrist Action Handles, Vandal Resistant Screws & 0.5 GPM Vandal Resistant Non-Aerated Spray Device

Drawn

DMH

Checked

KJG

Approved

JHB

Scale:

NTS

Date:

02/24/12