

**T&S BRASS AND BRONZE WORKS, INC.**  
 2 Saddleback Cove / P.O. Box 1088  
 Travelers Rest, SC 29690

Model No.  
**B-0890-VF22**

Item No.

Travelers Rest, SC: 800-476-4103 • Simi Valley, CA: 800-423-0150 • Fax: 864-834-3518 • www.tsbrass.com



**ADA Compliant**

This Space for Architect/Engineer Approval

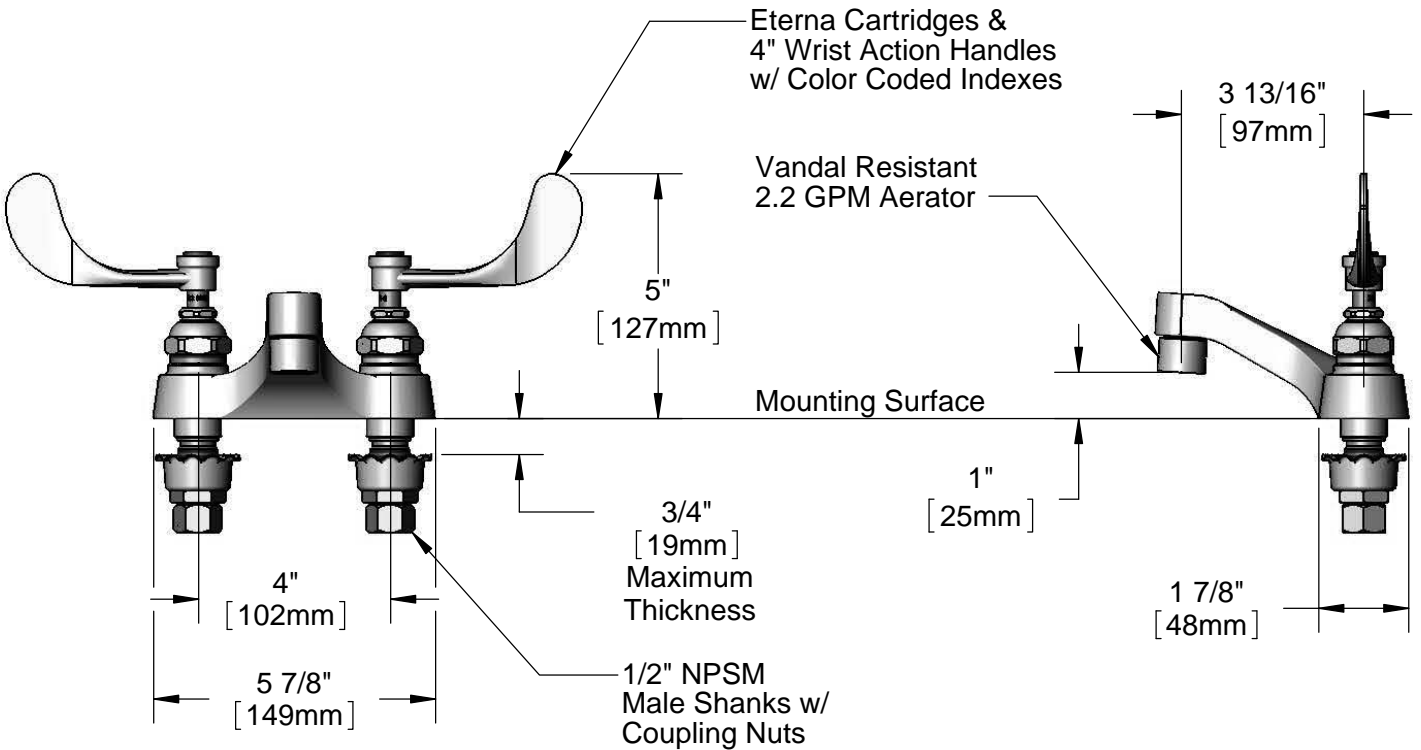
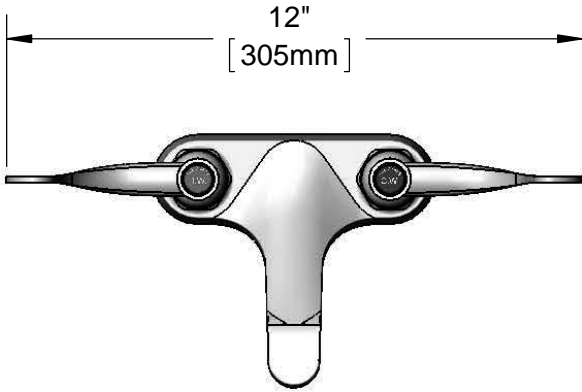
Job Name \_\_\_\_\_ Date \_\_\_\_\_

Model Specified \_\_\_\_\_ Quantity \_\_\_\_\_

Customer/Wholesaler \_\_\_\_\_

Contractor \_\_\_\_\_

Architect/Engineer \_\_\_\_\_



**Rough-In Requirement:**  
 (2)  $\phi$  1 1/8" [ $\phi$  29mm] Mounting Holes

**Product Specifications:**  
 4" Medical Deck Mount Mixing Faucet w/ Eterna Cartridges,  
 4" Wrist Action Handles & Vandal Resistant 2.2 GPM Aerator

Drawn <b>KJG</b>	Checked <b>DMH</b>	Approved <b>JHB</b>
---------------------	-----------------------	------------------------

Scale: <b>1:4</b>	Date: <b>10/04/12</b>
----------------------	--------------------------



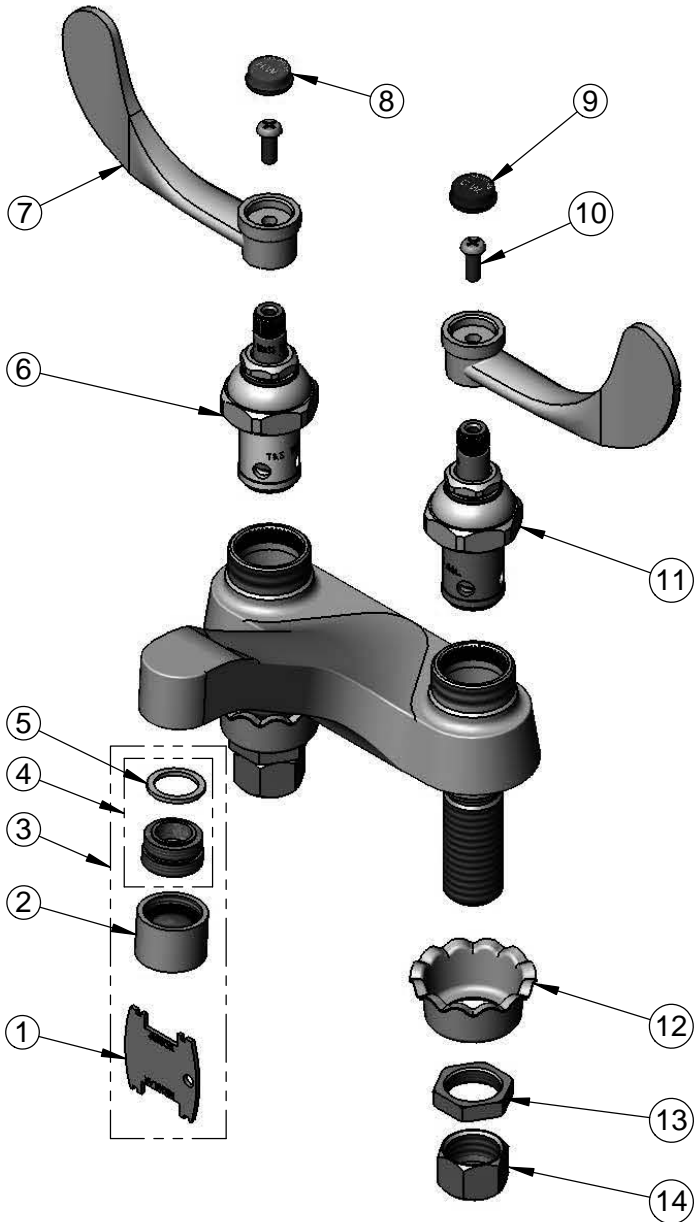
**T&S BRASS AND BRONZE WORKS, INC.**  
 2 Saddleback Cove / P.O. Box 1088  
 Travelers Rest, SC 29690

Model No.  
**B-0890-VF22**

Item No.

Travelers Rest, SC: 800-476-4103 • Simi Valley, CA: 800-423-0150 • Fax: 864-834-3518 • www.tsbrass.com

ITEM NO.	SALES NO.	DESCRIPTION
1	015425-45	Vandal Resistant Key
2	B-0199-06	VR 2.2 GPM Aerator, 55/64"-27UN Female
3	B-0199-08	VR 2.2 GPM Aerator, 13/16"-27UN Male
4	001651-47	Aerator Adapter
5	001048-45	Nozzle Tip Washer
6	006010-40	Eterna Cartridge, RTC (Teflon)
7	B-WH4	4" Wrist Action Handle
8	001194-45	Red HW Index
9	001686-45	Blue CW Index
10	000925-45	Lab Handle Screw
11	006009-40	Eterna Cartridge, LTC (Teflon)
12	001000-45	Rosette Washer
13	002954-45	Shank Lock Nut
14	000958-20	Coupling Nut



Product Specifications:  
 4" Medical Deck Mount Mixing Faucet w/ Eterna Cartridges,  
 4" Wrist Action Handles & Vandal Resistant 2.2 GPM Aerator

Drawn <b>KJG</b>	Checked <b>DMH</b>	Approved <b>JHB</b>
Scale: <b>NTS</b>		Date: <b>10/04/12</b>