



T&S BRASS AND BRONZE WORKS, INC.

2 Saddleback Cove / P.O. Box 1088
Travelers Rest, SC 29690

Model No.

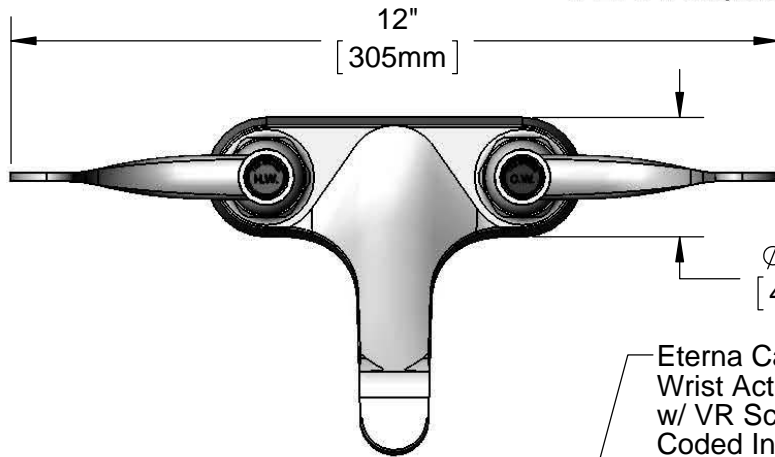
B-0890-VRS-VF07

Item No.

Travelers Rest, SC: 800-476-4103 • Simi Valley, CA: 800-423-0150 • Fax: 864-834-3518 • www.tsbrass.com



ADA Compliant



This Space for Architect/Engineer Approval

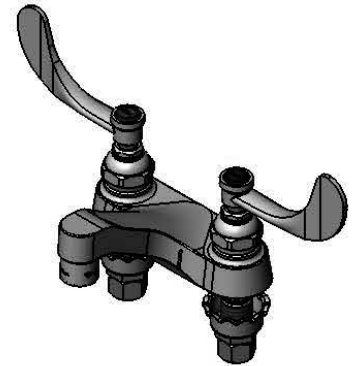
Job Name _____ Date _____

Model Specified _____ Quantity _____

Customer/Wholesaler _____

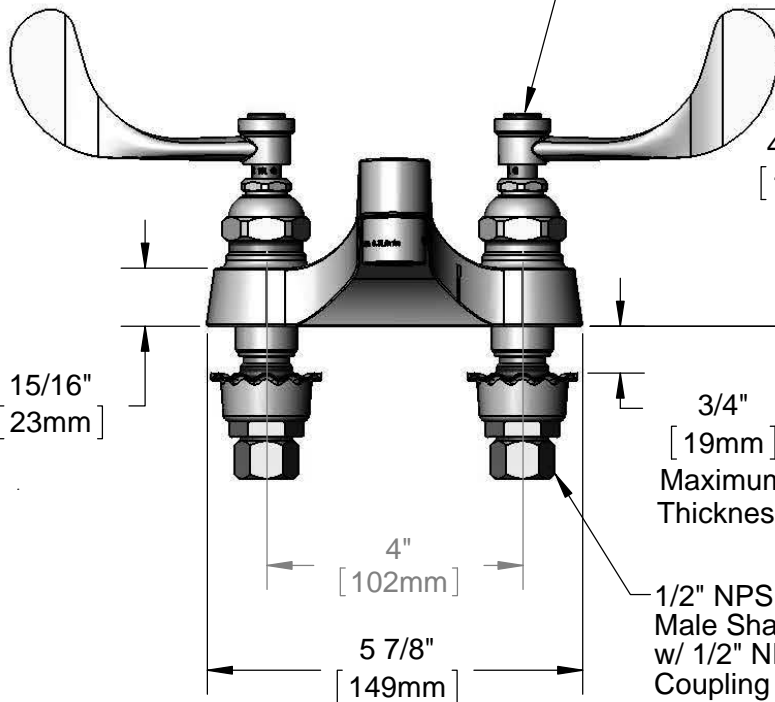
Contractor _____

Architect/Engineer _____



Eterna Cartridge & 4" Wrist Action Handles w/ VR Screws & Color Coded Indexes

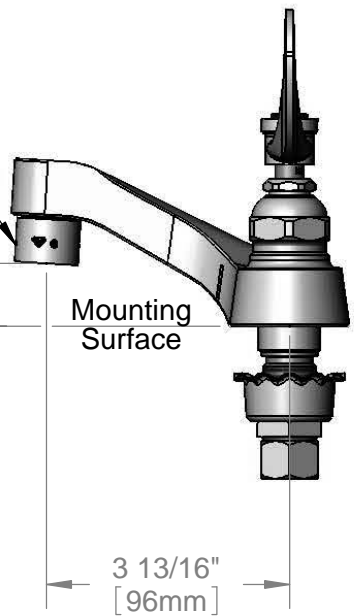
B-0199-08F-07 VR Aerator w/ 0.7 GPM Flow Control



4 15/16" [126mm]

[25mm]

Mounting Surface



3 13/16" [96mm]

Rough-In Requirement:
(2) ϕ 1 1/8" [29mm] Mounting Holes

Product Specifications:
4" Centerset Deck Mount Cast Spout Mixing Faucet, Eterna Cartridges, 4" Wrist Action Handles, VR Screws, VR Aerator w/ 0.7 Flow Control & 1/2" NPSM Male Inlet w/ Coupling Nuts

Product Compliance:
ASME A112.18.1 / CSA B125.1
NSF 61 - Section 9
NSF 372 (Low Lead Content)
ANSI A117.1 (ADA)

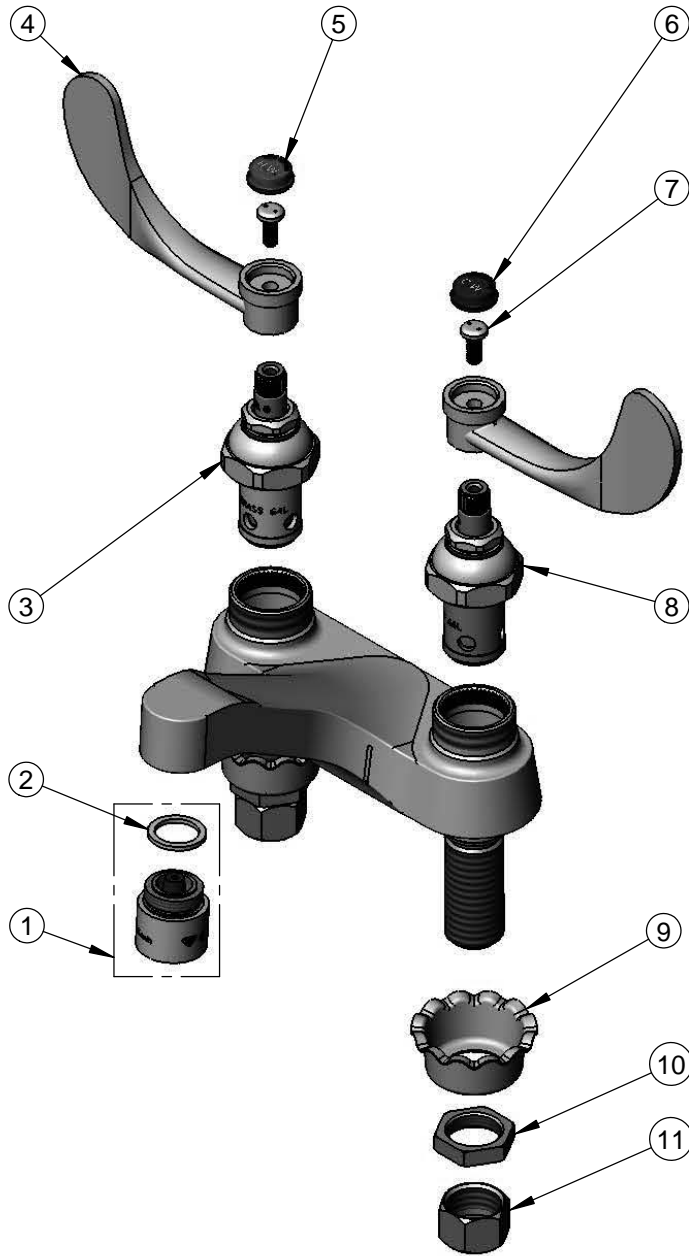


T&S BRASS AND BRONZE WORKS, INC.
 2 Saddleback Cove / P.O. Box 1088
 Travelers Rest, SC 29690

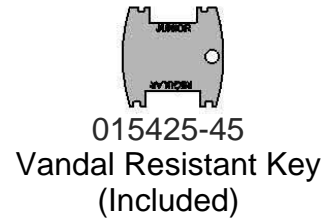
Model No.
B-0890-VRS-VF07

Item No.

Travelers Rest, SC: 800-476-4103 • Simi Valley, CA: 800-423-0150 • Fax: 864-834-3518 • www.tsbrass.com



ITEM NO.	SALES NO.	DESCRIPTION
1	B-0199-08F-07	VR Aerator w/ .07 GPM Flow Control, 13/16-27 UN w/ Key
2	001048-45	Nozzle Tip Washer
3	006010-40	Eterna Cartridge, RTC (Teflon)
4	B-WH4	4" Wrist Action Handle
5	001194-45	Red Index - HW
6	001686-45	Blue Index - CW
7	VRS-2	VR Screw (2) w/ Spanner Bit
8	006009-40	Eterna Cartridge, LTC (Teflon)
9	001000-45	Rosette Washer
10	002954-45	Shank Lock Nut
11	000958-20	Coupling Nut



Product Specifications:

4" Centerset Deck Mount Cast Spout Mixing Faucet, Eterna Cartridges, 4" Wrist Action Handles, VR Screws, VR Aerator w/ 0.7 Flow Control & 1/2" NPSM Male Inlet w/ Coupling Nuts

Product Compliance:

ASME A112.18.1 / CSA B125.1
 NSF 61 - Section 9
 NSF 372 (Low Lead Content)
 ANSI A117.1 (ADA)