



T&S BRASS AND BRONZE WORKS, INC.

2 Saddleback Cove / P.O. Box 1088
Travelers Rest, SC 29690

Model No.

B-0890-VRS

Item No.

Travelers Rest, SC: 800-476-4103 • Simi Valley, CA: 800-423-0150 • Fax: 864-834-3518 • www.tsbrass.com

This Space for Architect/Engineer Approval

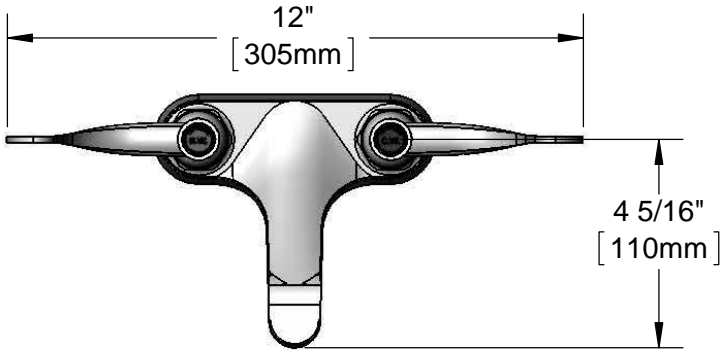
Job Name _____ Date _____

Model Specified _____ Quantity _____

Customer/Wholesaler _____

Contractor _____

Architect/Engineer _____

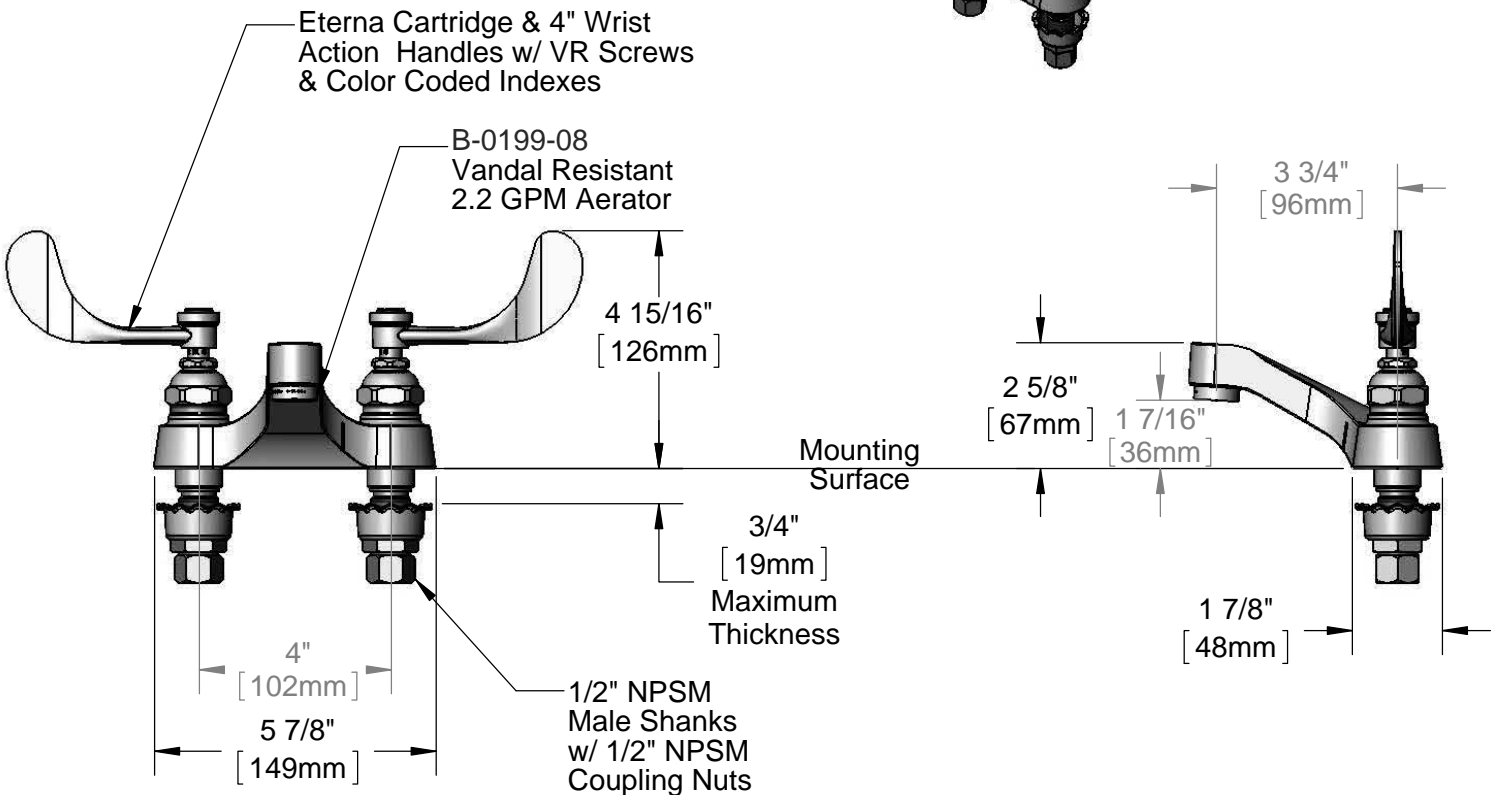


ADA Compliant



Eterna Cartridge & 4" Wrist Action Handles w/ VR Screws & Color Coded Indexes

B-0199-08 Vandal Resistant 2.2 GPM Aerator



Rough-In Requirement:
(2) ϕ 1 1/8" [29mm] Mounting Holes

Product Specifications:
4" Centerset Mixing Faucet, Eterna Cartridges, 4" Wrist Action Handles w/ Vandal Resistant Screws, Vandal Resistant 2.2 GPM Aerator & 1/2" NPSM Male Inlet Shanks

Product Compliance:
ASME A112.18.1 / CSA B125.1
NSF 61 - Section 9
NSF 372 (Low Lead Content)
ANSI A117.1 (ADA)



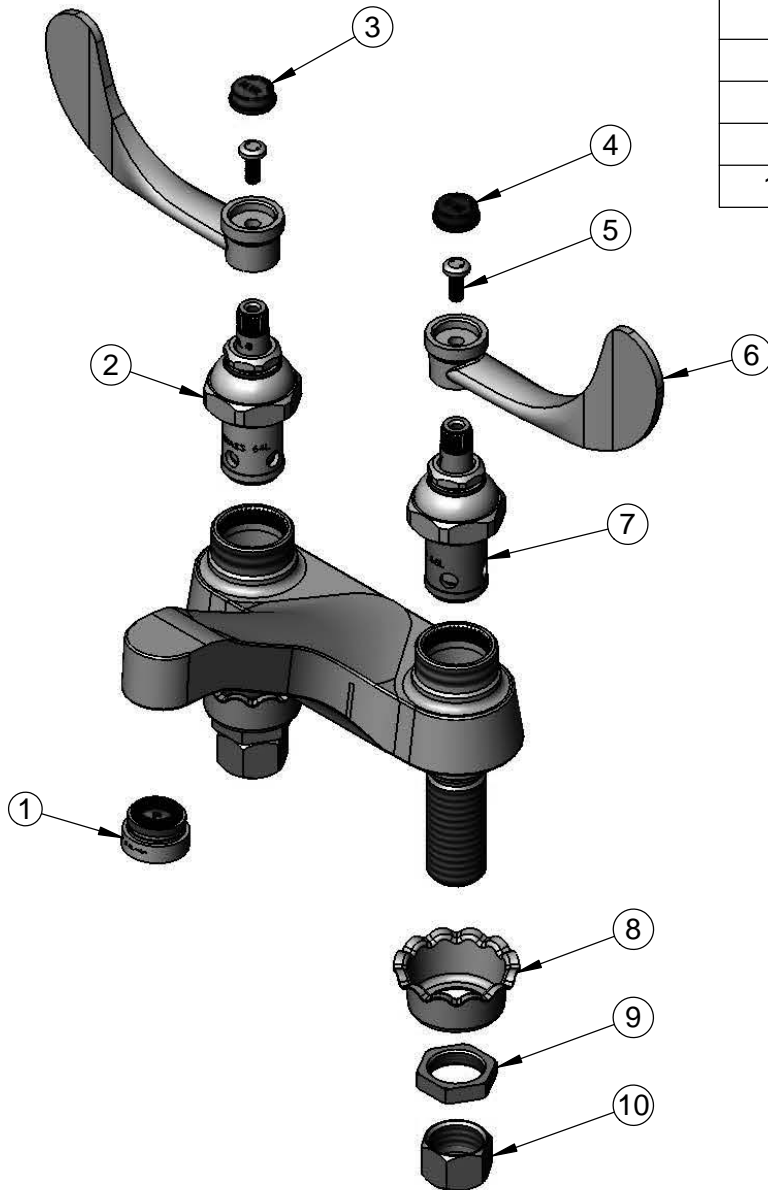
T&S BRASS AND BRONZE WORKS, INC.
 2 Saddleback Cove / P.O. Box 1088
 Travelers Rest, SC 29690

Model No.
B-0890-VRS

Item No.

Travelers Rest, SC: 800-476-4103 • Simi Valley, CA: 800-423-0150 • Fax: 864-834-3518 • www.tsbrass.com

ITEM NO.	SALES NO.	DESCRIPTION
1	B-0199-08	VR 2.2 GPM Aerator, 13/16-27 UN w/ Key
2	006010-40	Eterna Cartridge, RTC (Teflon)
3	001194-45	Red Index - HW
4	001686-45	Blue Index - CW
5	VRS-2	VR Screw (2) w/ Spanner Bit
6	B-WH4	4" Wrist Action Handle
7	006009-40	Eterna Cartridge, LTC (Teflon)
8	001000-45	Rosette Washer
9	002954-45	Shank Lock Nut
10	000958-20	Coupling Nut



014075-45
 VR Spanner Bit
 (Included)

015425-45
 VR Aerator Key
 (Included)

Product Specifications:
 4" Centerset Mixing Faucet, Eterna Cartridges, 4" Wrist Action Handles w/ Vandal Resistant Screws, Vandal Resistant 2.2 GPM Aerator & 1/2" NPSM Male Inlet Shanks

Product Compliance:
 ASME A112.18.1 / CSA B125.1
 NSF 61 - Section 9
 NSF 372 (Low Lead Content)
 ANSI A117.1 (ADA)