



# T&S BRASS AND BRONZE WORKS, INC.

2 Saddleback Cove / P.O. Box 1088  
Travelers Rest, SC 29690

Model No.

B-0892-01QT

Item No.

Travelers Rest, SC: 800-476-4103 Simi Valley, CA: 800-423-0150 Fax: 864-834-3518 www.tsbrass.com

This Space for Architect/Engineer Approval

Job Name \_\_\_\_\_ Date \_\_\_\_\_

Model Specified \_\_\_\_\_ Quantity \_\_\_\_\_

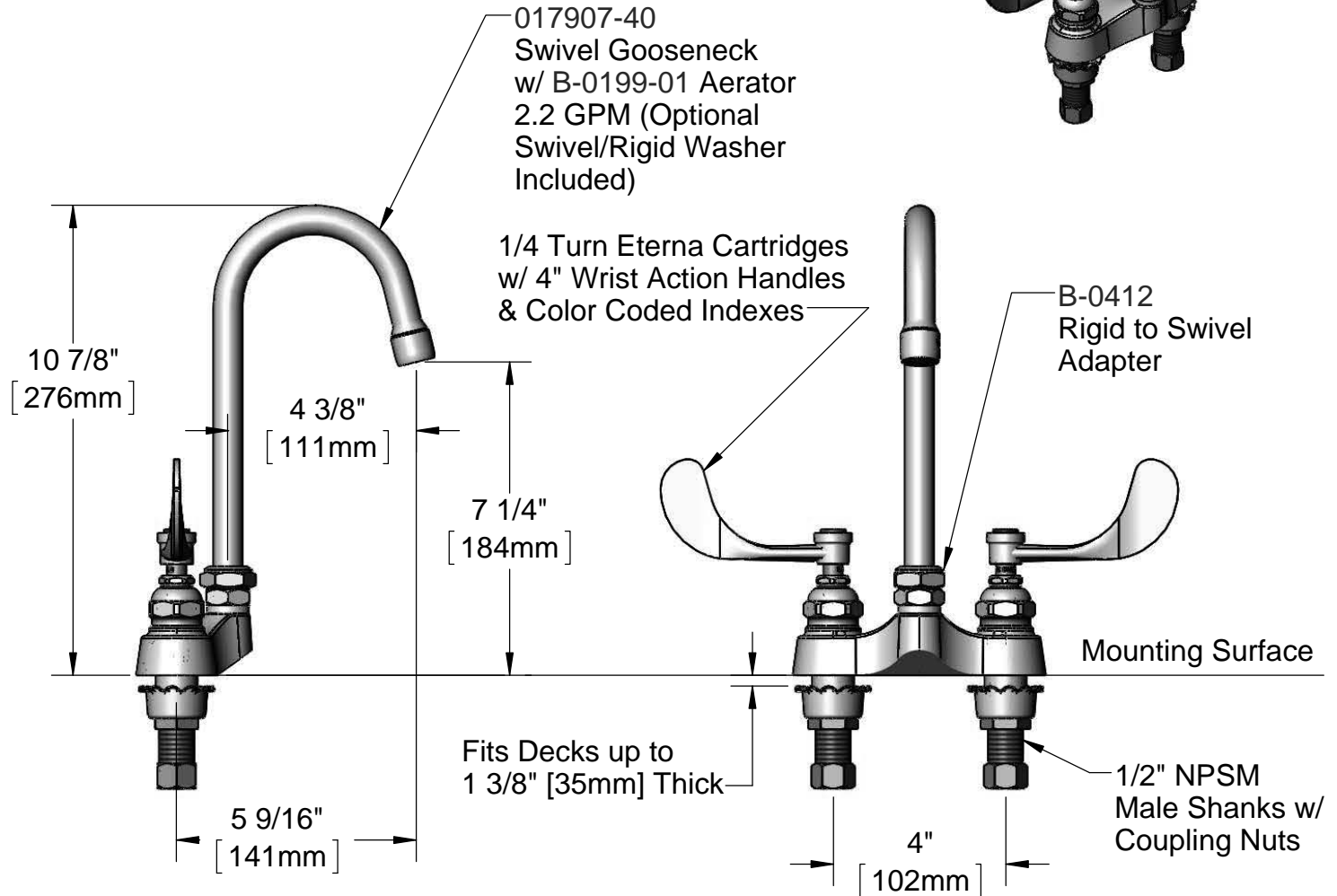
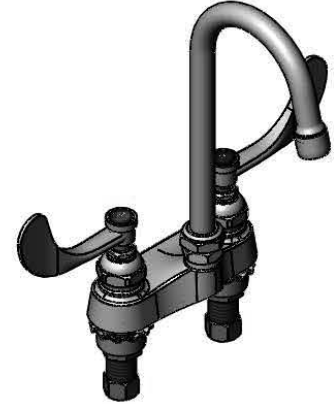
Customer/Wholesaler \_\_\_\_\_

Contractor \_\_\_\_\_

Architect/Engineer \_\_\_\_\_



**ADA Compliant**



**Note: Rough-in Requirement**  
(2)  $\phi$  1 1/8" [29mm] Mounting Holes

Product Specifications:

4" Centerset Mixing Faucet w/ 1/4 Turn Eterna Cartridges, 4" Wrist Action Handles, Swivel Gooseneck, 2.2 GPM Aerator & 1/2" NPSM Male Shanks,

Drawn KJG	Checked DMH	Approved JHB
Scale: 1:4		Date: 02/23/12



**T&S BRASS AND BRONZE WORKS, INC.**

2 Saddleback Cove / P.O. Box 1088  
Travelers Rest, SC 29690

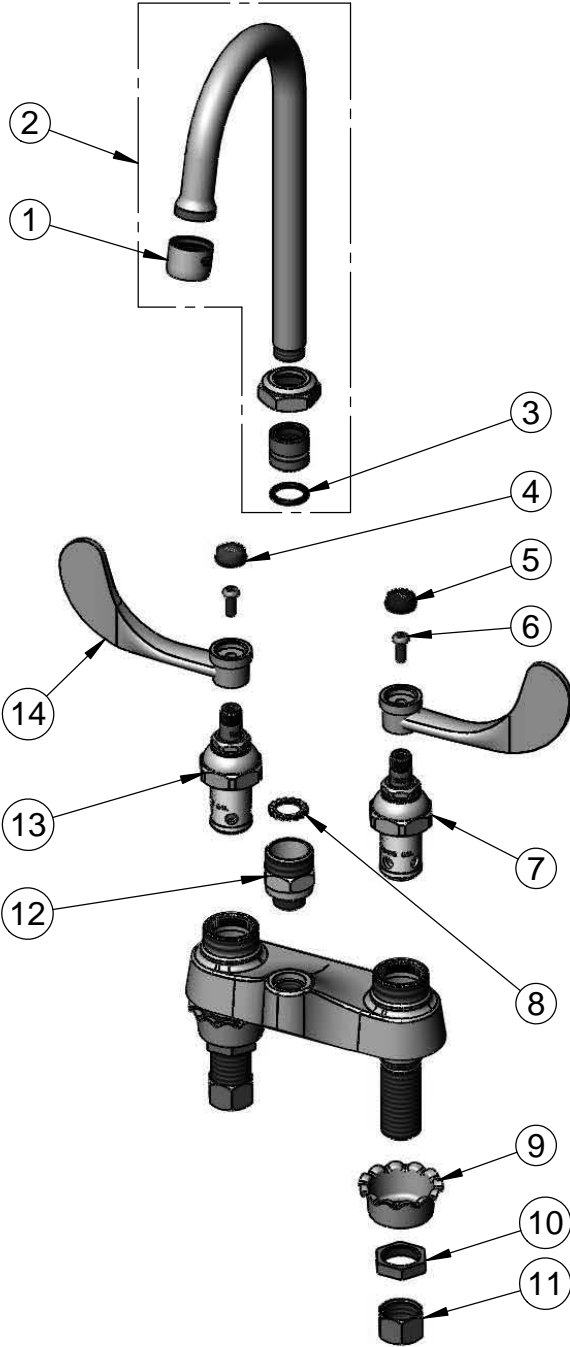
Model No.

**B-0892-01QT**

Item No.

Travelers Rest, SC: 800-476-4103 Simi Valley, CA: 800-423-0150 Fax: 864-834-3518 www.tsbrass.com

ITEM NO.	SALES NO.	DESCRIPTION
1	B-0199-01	2.2 GPM Aerator, Female
2	017907-40	Swivel Gooseneck Assembly
3	001074-45	O-Ring
4	001194-45	Red HW Index
5	001686-45	Blue CW Index
6	000925-45	Lab Handle Screw
7	006009-40QT	Eterna Cartridge (LTC) w/ Quarter Turn
8	014200-45	Star Washer, Anti-Rotation
9	001000-45	Rosette Washer
10	002954-45	Shank Lock Nut
11	000958-20	Coupling Nut
12	B-0412	Rigid to Swivel Adapter
13	006010-40QT	Eterna Cartridge (RTC) w/ Quarter Turn
14	B-WH4	4" Wrist Action Handle



Product Specifications:

4" Centerset Mixing Faucet w/ 1/4 Turn Eterna Cartridges,  
4" Wrist Action Handles, Swivel Gooseneck, 2.2 GPM  
Aerator & 1/2" NPSM Male Shanks,

Drawn KJG	Checked DMH	Approved JHB
Scale: NTS		Date: 02/23/12