

T&S BRASS AND BRONZE WORKS, INC.

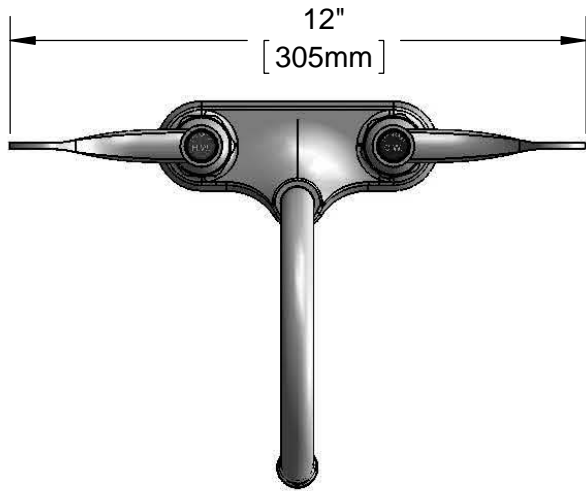
2 Saddleback Cove / P.O. Box 1088
Travelers Rest, SC 29690

Model No.

B-0892-120X

Item No.

Travelers Rest, SC: 800-476-4103 • Simi Valley, CA: 800-423-0150 • Fax: 864-834-3518 • www.tsbrass.com



ADA Compliant

This Space for Architect/Engineer Approval

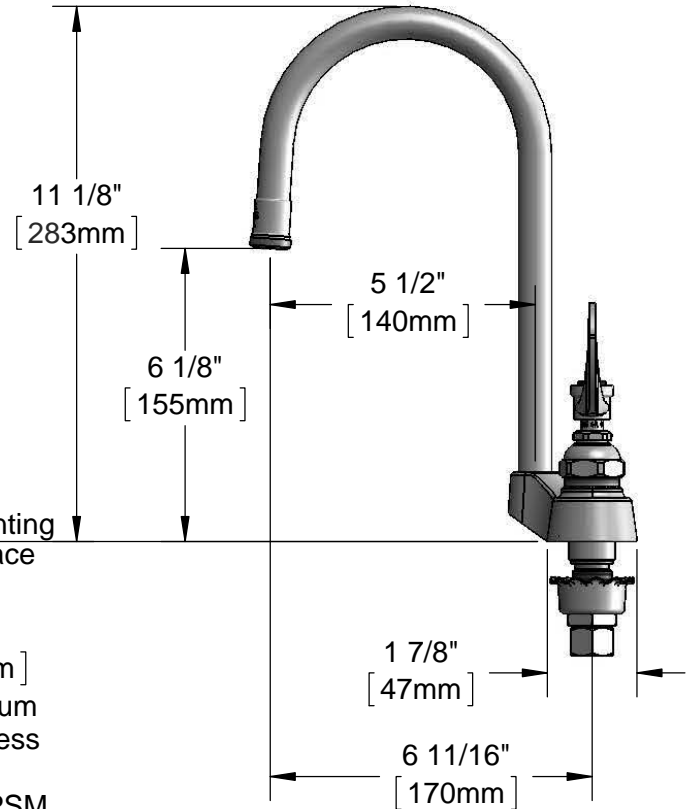
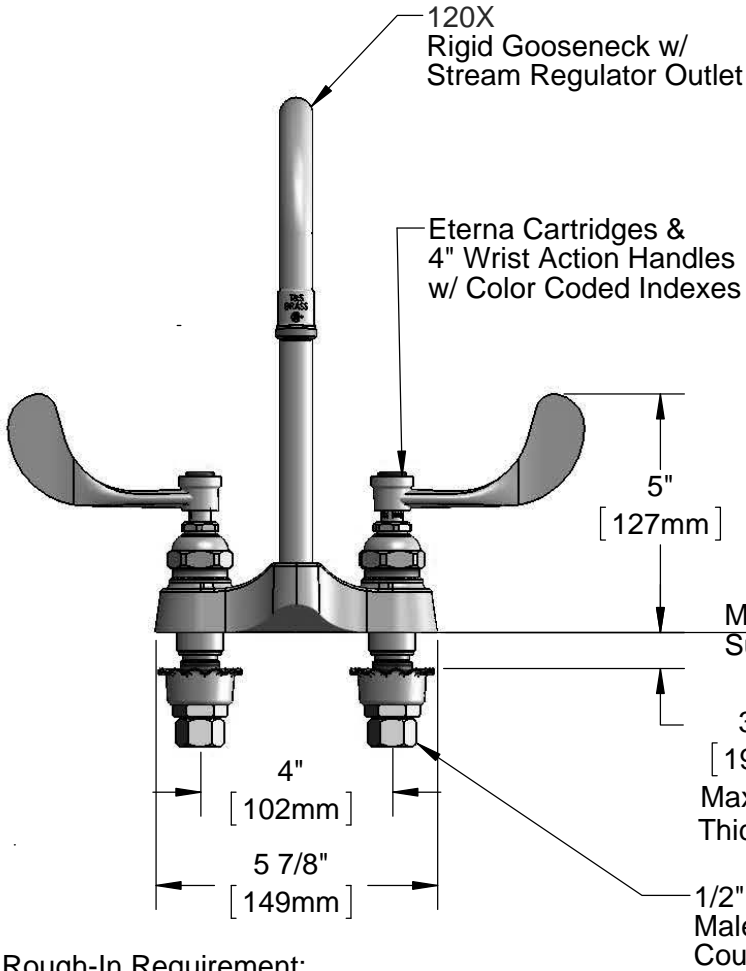
Job Name _____ Date _____

Model Specified _____ Quantity _____

Customer/Wholesaler _____

Contractor _____

Architect/Engineer _____



Rough-In Requirement:
(2) ϕ 1 1/8" [29mm] Mounting Holes

Product Specifications:
4" Centerset Mixing Faucet w/ Eterna Cartridges, 4" Wrist Action Handles, Rigid Gooseneck w/ Stream Regulator Outlet & 1/2" NPSM Male Inlets

Drawn
KJG

Checked
JRM

Approved
JHB

Scale:
1:4

05/30/13



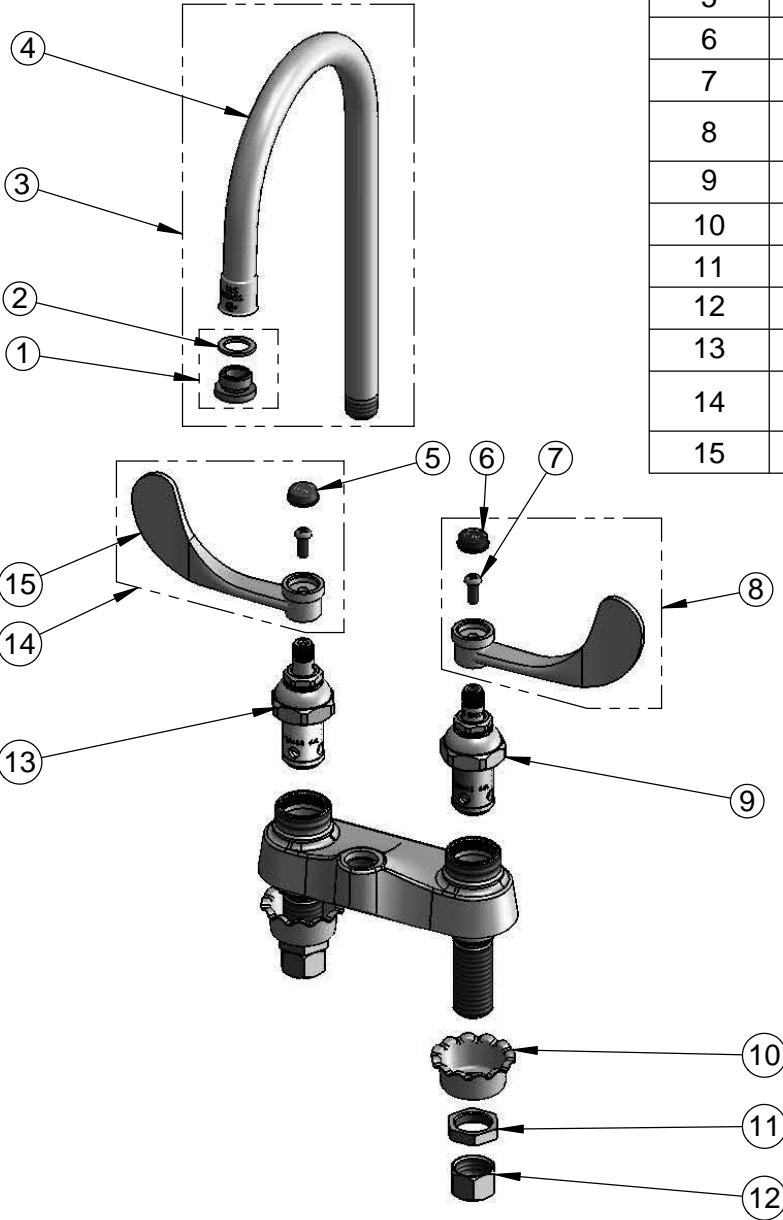
T&S BRASS AND BRONZE WORKS, INC.
 2 Saddleback Cove / P.O. Box 1088
 Travelers Rest, SC 29690

Model No.
B-0892-120X

Item No.

Travelers Rest, SC: 800-476-4103 • Simi Valley, CA: 800-423-0150 • Fax: 864-834-3518 • www.tsbrass.com

ITEM NO.	SALES NO.	DESCRIPTION
1	B-LT	Stream Regulator Outlet
2	001043-45	Washer
3	120X	Rigid Gooseneck w/ B-LT Stream Regulator Outlet
4	000398-40	Rigid Gooseneck
5	001194-45	Red HW Index
6	001686-45	Blue CW Index
7	000925-45	Lab Handle Screw
8	B-WH4C	4" Wrist Action Handle, Screw & Cold Index
9	006009-40	Eterna Cartridge, LTC (Teflon)
10	001000-45	Rosette Washer
11	002954-45	Shank Lock Nut
12	000958-20	Coupling Nut
13	006010-40	Eterna Cartridge, RTC (Teflon)
14	B-WH4H	4" Wrist Action Handle, Screw & Hot Index
15	B-WH4	4" Wrist Action Handle



Product Specifications:
 4" Centerset Mixing Faucet w/ Eterna Cartridges, 4" Wrist Action Handles, Rigid Gooseneck w/ Stream Regulator Outlet & 1/2" NPSM Male Inlets

Drawn KJG	Checked JRM	Approved JHB
Scale: NTS		05/30/13