



# T&S BRASS AND BRONZE WORKS, INC.

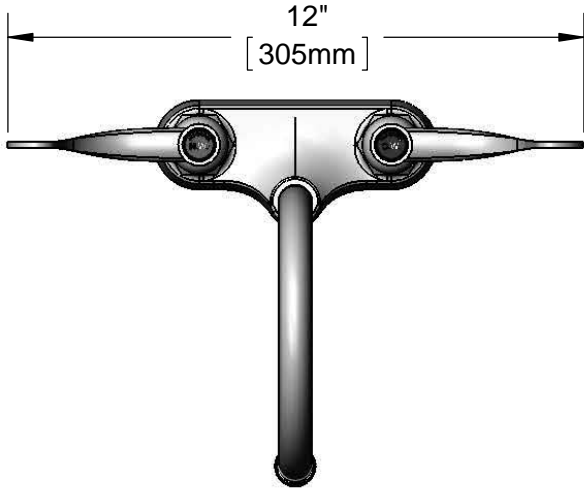
2 Saddleback Cove / P.O. Box 1088  
Travelers Rest, SC 29690

Model No.

**B-0892-122X-CR**

Item No.

Travelers Rest, SC: 800-476-4103 • Simi Valley, CA: 800-423-0150 • Fax: 864-834-3518 • www.tsbrass.com



**ADA Compliant**

This Space for Architect/Engineer Approval

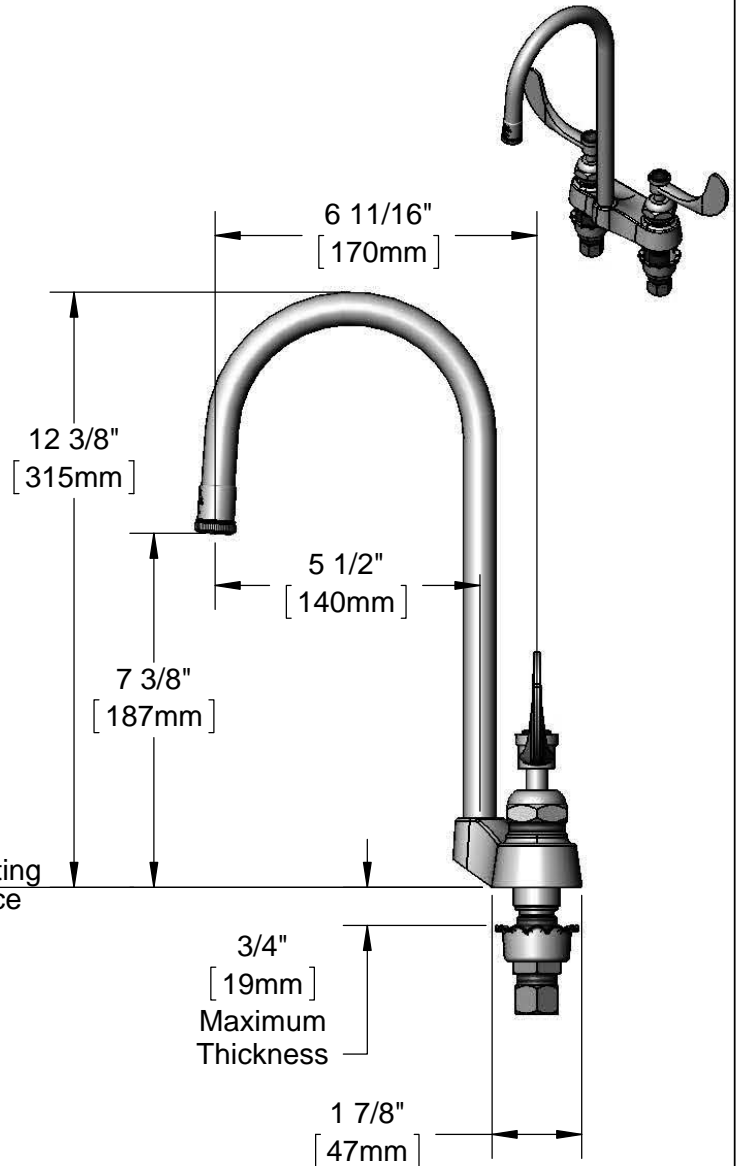
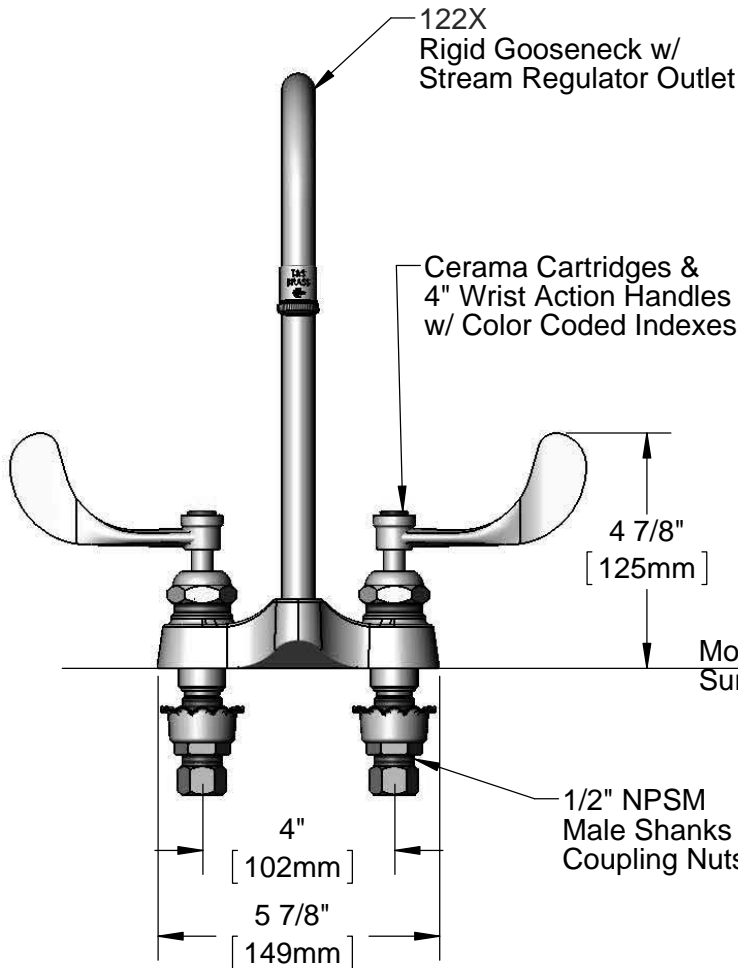
Job Name \_\_\_\_\_ Date \_\_\_\_\_

Model Specified \_\_\_\_\_ Quantity \_\_\_\_\_

Customer/Wholesaler \_\_\_\_\_

Contractor \_\_\_\_\_

Architect/Engineer \_\_\_\_\_



**Rough-In Requirement:**  
(2)  $\phi$  1 1/8" [29mm] Mounting Holes

**Product Specifications:**  
4" Centerset Mixing Faucet w/ Cerama Cartridges, 4" Wrist Action Handles, Rigid Gooseneck w/ Stream Regulator Outlet, & 1/2" NPSM Male Shanks

Drawn

**KJG**

Checked

**JRM**

Approved

**JHB**

Scale:

**1:4**

Date:

**11/26/13**



# T&S BRASS AND BRONZE WORKS, INC.

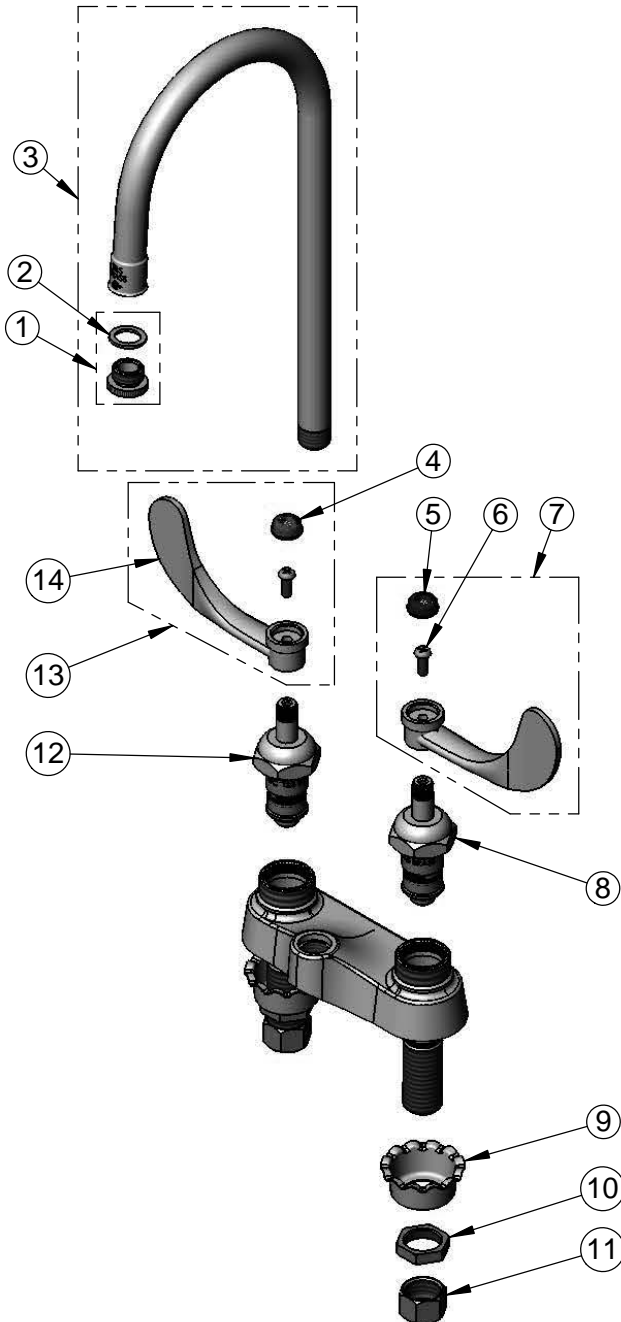
2 Saddleback Cove / P.O. Box 1088  
Travelers Rest, SC 29690

Model No.

**B-0892-122X-CR**

Item No.

Travelers Rest, SC: 800-476-4103 • Simi Valley, CA: 800-423-0150 • Fax: 864-834-3518 • www.tsbrass.com



ITEM NO.	SALES NO.	DESCRIPTION
1	B-LT	Stream Regulator Outlet
2	001043-45	Washer
3	122X	Rigid Gooseneck w/ B-LT Stream Regulator Outlet
4	001194-45	Red HW Index
5	001686-45	Blue CW Index
6	000925-45	Lab Handle Screw
7	B-WH4C	4" Wrist Action Handle, Screw & Cold Index
8	011279-25	Cerama Cartridge, LTC
9	001000-45	Rosette Washer
10	002954-45	Shank Lock Nut
11	000958-20	Coupling Nut
12	011278-25	Cerama Cartridge, RTC
13	B-WH4H	4" Wrist Action Handle, Screw & Hot Index
14	B-WH4	4" Wrist Action Handle

**Product Specifications:**

4" Centerset Mixing Faucet w/ Cerama Cartridges, 4" Wrist Action Handles, Rigid Gooseneck w/ Stream Regulator Outlet, & 1/2" NPSM Male Shanks

Drawn

**KJG**

Checked

**JRM**

Approved

**JHB**

Scale:

**NTS**

Date:

**11/26/13**