

T&S BRASS AND BRONZE WORKS, INC.

2 Saddleback Cove / P.O. Box 1088
Travelers Rest, SC 29690

Model No.

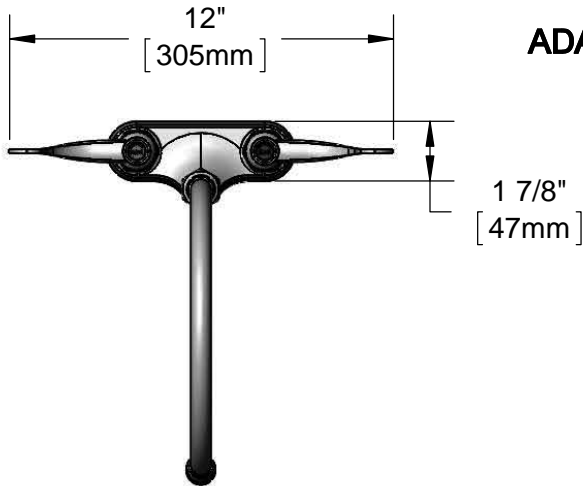
B-0892-135X

Item No.

Travelers Rest, SC: 800-476-4103 • Simi Valley, CA: 800-423-0150 • Fax: 864-834-3518 • www.tsbrass.com



ADA Compliant



This Space for Architect/Engineer Approval

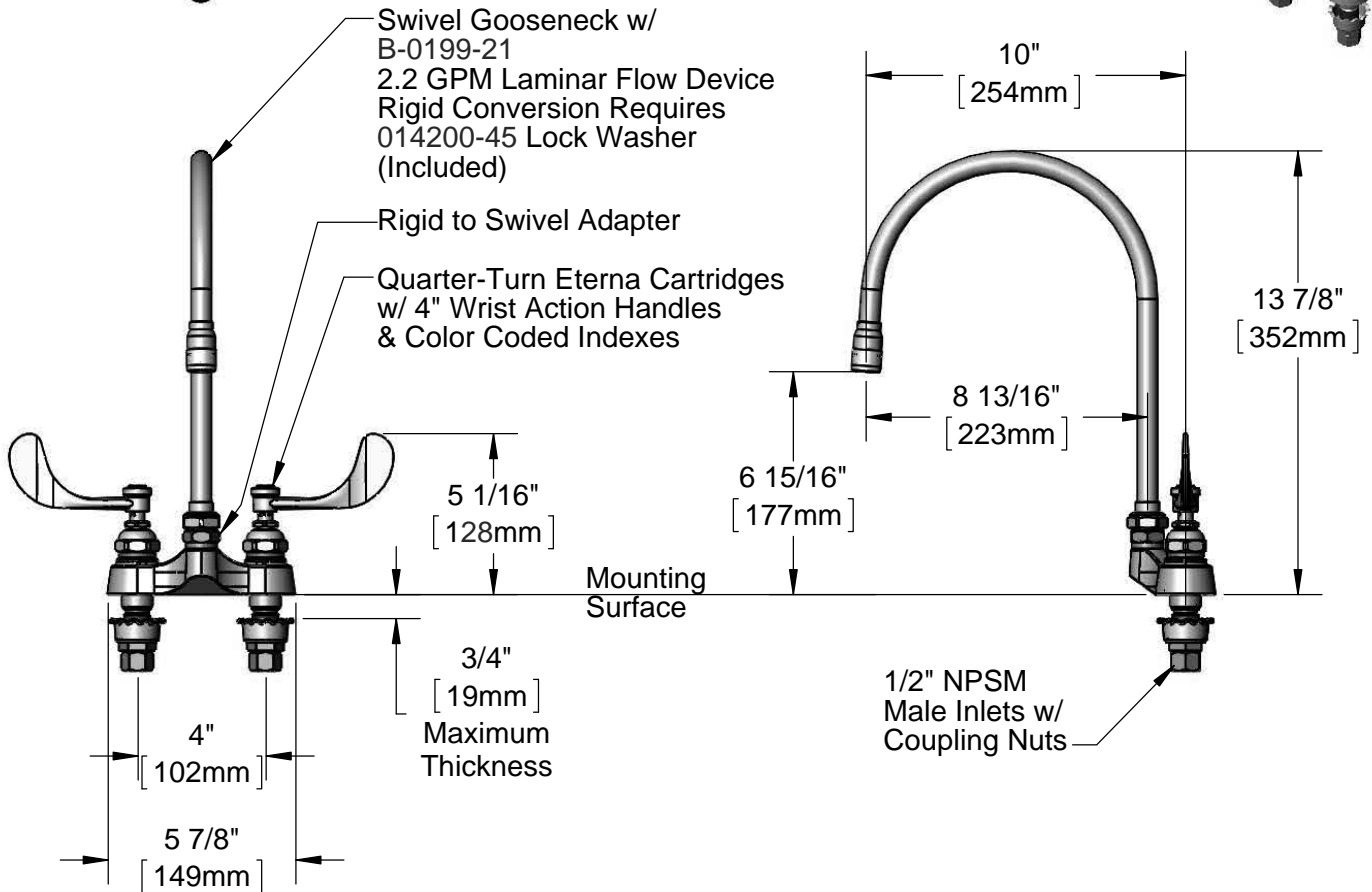
Job Name _____ Date _____

Model Specified _____ Quantity _____

Customer/Wholesaler _____

Contractor _____

Architect/Engineer _____



Rough-In Requirement:
(2) ϕ 1 1/8" [29mm] Mounting Holes

Product Specifications:
4" Centerset Deck Mount Mixing Faucet, Quarter-Turn Eterna Cartridges,
4" Wrist Action Handles, Swivel Gooseneck, 2.2 GPM Laminar Flow Device,
Rigid to Swivel Adapter & 1/2" NPSM Male Inlets

Product Compliance:
ASME A112.18.1 / CSA B125.1
NSF 61 - Section 9
NSF 372 (Low Lead Content)
ANSI A117.1 (ADA)

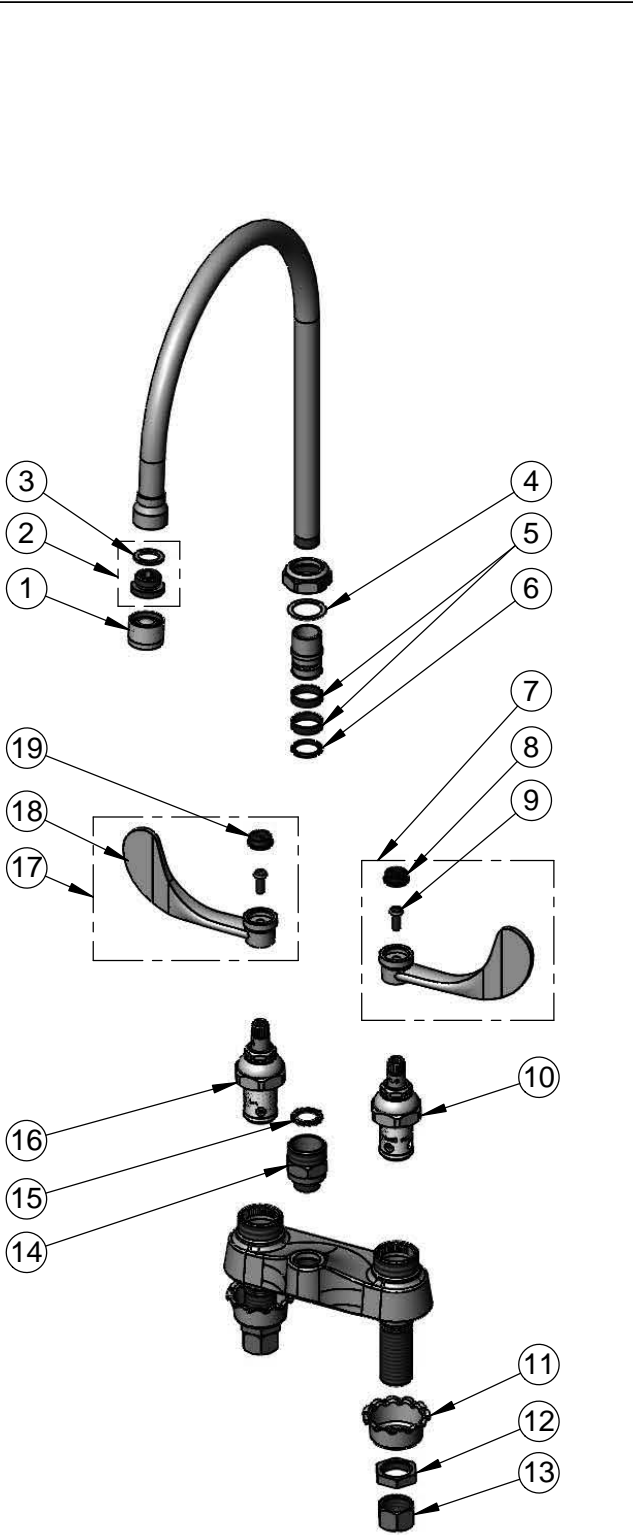


T&S BRASS AND BRONZE WORKS, INC.
 2 Saddleback Cove / P.O. Box 1088
 Travelers Rest, SC 29690

Model No.
B-0892-135X

Item No.

Travelers Rest, SC: 800-476-4103 • Simi Valley, CA: 800-423-0150 • Fax: 864-834-3518 • www.tsbrass.com



ITEM NO.	SALES NO.	DESCRIPTION
1	B-0199-21	2.2 GPM Laminar Flow Device, 55/64-27 UN Female
2	044A	3/8" to Aerator Adapter
3	001043-45	Washer
4	009538-45	Swivel Washer
5	011429-45	Swivel Sleeves (2)
6	001074-45	O-Ring
7	B-WH4C	4" Wrist Action Handle, Screw & Cold Index
8	001686-45	Blue Index - CW
9	000925-45	Lab Handle Screw
10	006009-40QT	Quarter-Turn Eterna Cartridge, LTC (Teflon)
11	001000-45	Rosette Washer
12	002954-45	Shank Lock Nut
13	000958-20	Coupling Nut
14	B-0412	Rigid to Swivel Adapter
15	014200-45	Star Washer, Anti-Rotation
16	006010-40QT	Quarter-Turn Eterna Cartridge, RTC (Teflon)
17	B-WH4H	4" Wrist Action Handle, Screw & Hot Index
18	B-WH4	4" Wrist Action Handle
19	001194-45	Red Index - HW

Product Specifications:
 4" Centerset Deck Mount Mixing Faucet, Quarter-Turn Eterna Cartridges,
 4" Wrist Action Handles, Swivel Gooseneck, 2.2 GPM Laminar Flow Device,
 Rigid to Swivel Adapter & 1/2" NPSM Male Inlets

Product Compliance:
 ASME A112.18.1 / CSA B125.1
 NSF 61 - Section 9
 NSF 372 (Low Lead Content)
 ANSI A117.1 (ADA)