



T&S BRASS AND BRONZE WORKS, INC.

2 Saddleback Cove / P.O. Box 1088
Travelers Rest, SC 29690



REG. #A2601
ISO #9001

Model No.

B-0892-CR-HW

Item No.

Travelers Rest, SC: 800-476-4103 Simi Valley, CA: 800-423-0150 Fax: 864-834-3518 www.tsbrass.com

This Space for Architect/Engineer Approval

Job Name _____ Date _____

Model Specified _____ Quantity _____

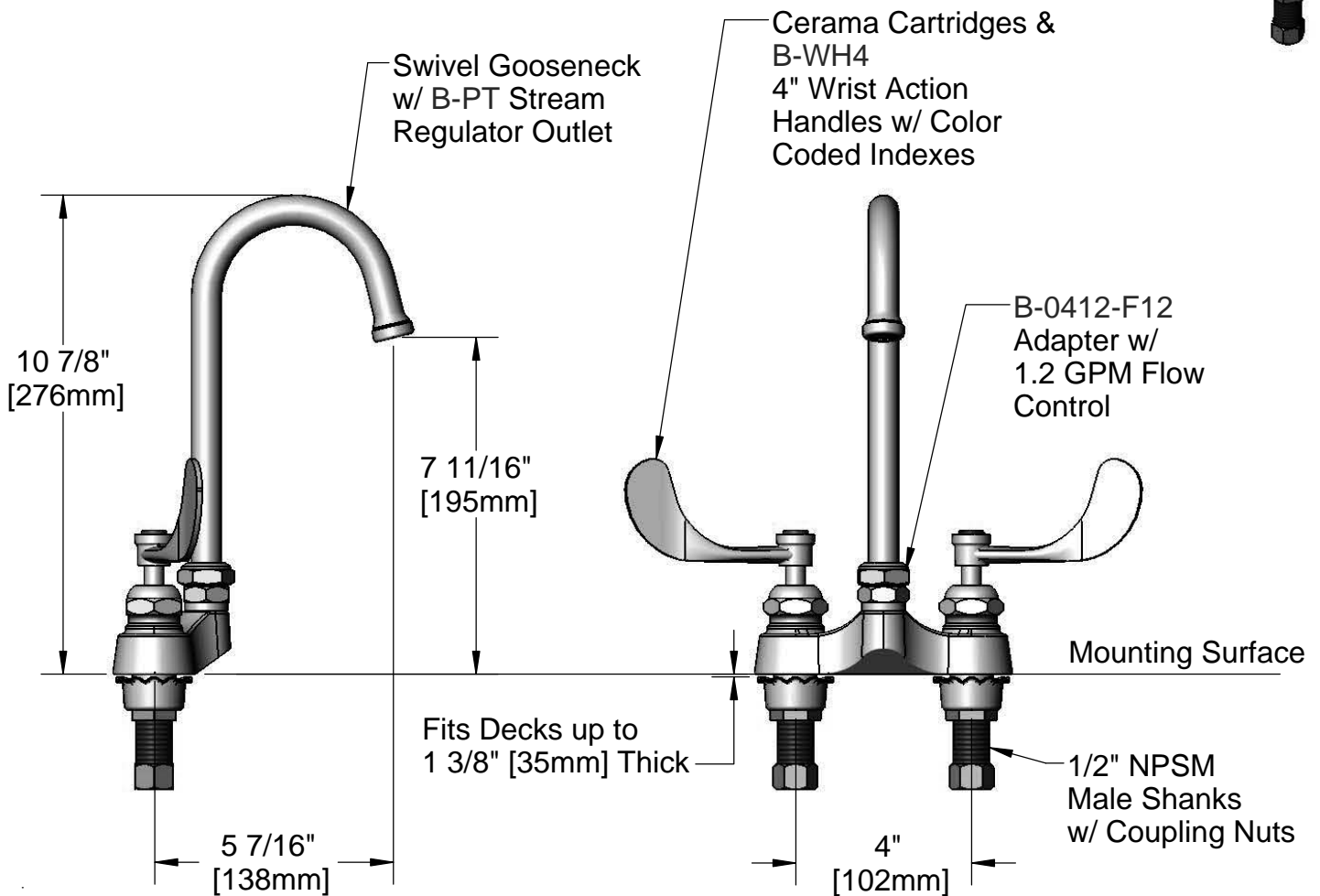
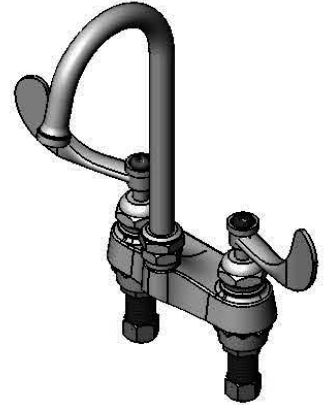
Customer/Wholesaler _____

Contractor _____

Architect/Engineer _____



ADA Compliant



Note: Rough-In Requirement
(2) ϕ 1 1/8" [29mm] Mounting Holes

Product Specifications:

4" Centerset Mixing Faucet, 1/2" NPSM Male Shanks, Cerama Cartridges, 4" Wrist Action Handles, Swivel Gooseneck, Stream Regulator Outlet, & 1.2 GPM Flow Control

Drawn
KJG

Checked
DMH

Approved
JHB

Scale:

1:4

Date:

10/06/11



T&S BRASS AND BRONZE WORKS, INC.

2 Saddleback Cove / P.O. Box 1088
Travelers Rest, SC 29690



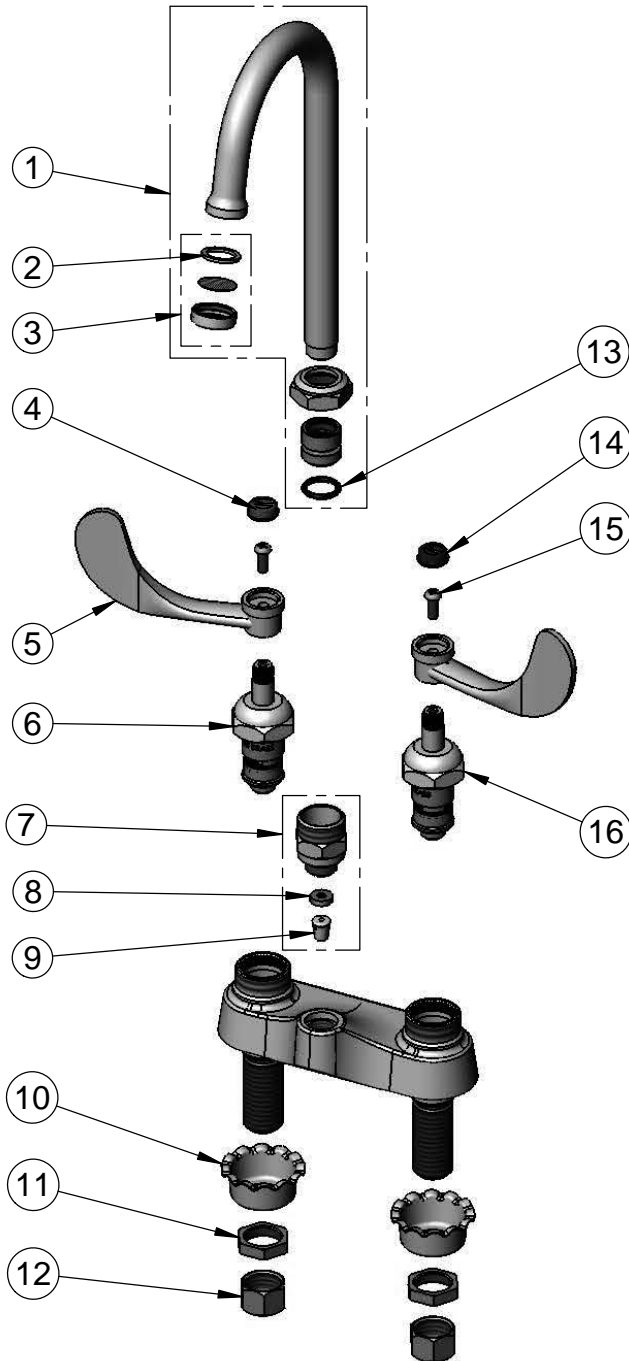
REG. #A2601
ISO #9001

Model No.

B-0892-CR-HW

Item No.

Travelers Rest, SC: 800-476-4103 Simi Valley, CA: 800-423-0150 Fax: 864-834-3518 www.tsbrass.com



ITEM NO.	SALES NO.	DESCRIPTION
1	018176-40	Swivel Gooseneck w/ B-PT
2	001048-45	Nozzle Tip Washer
3	B-PT	Stream Regulator Outlet
4	001194-45	Red HW Index
5	B-WH4	4" Wrist Action Handle
6	011278-25	Cerama Cartridge, (RTC)
7	B-0412-F12	Adapter, Rigid-to-Swivel w/ 1.2 GPM Flow Control
8	009069-45	Flow Control Holder
9	001643-45	1.2 GPM Flow Tower
10	001000-45	Rosette Washer
11	002954-45	Shank Lock Nut
12	000958-20	Coupling Nut
13	001074-45	O-Ring
14	001686-45	Blue CW Index
15	000925-45	Lab Handle Screw
16	011279-25	Cerama Cartridge, (LTC)

Product Specifications:

4" Centerset Mixing Faucet, 1/2" NPSM Male Shanks, Cerama Cartridges, 4" Wrist Action Handles, Swivel Gooseneck, Stream Regulator Outlet, & 1.2 GPM Flow Control

Drawn KJG	Checked DMH	Approved JHB
Scale: NTS		Date: 10/06/11