



T&S BRASS AND BRONZE WORKS, INC.

2 Saddleback Cove / P.O. Box 1088
Travelers Rest, SC 29690



REG. #A2601
ISO #9001

Model No.
B-0892-F1-CR-SC

Item No.

Travelers Rest, SC: 800-476-4103 Simi Valley, CA: 800-423-0150 Fax: 864-834-3518 www.tsbrass.com

This Space for Architect/Engineer Approval

Job Name _____ Date _____

Model Specified _____ Quantity _____

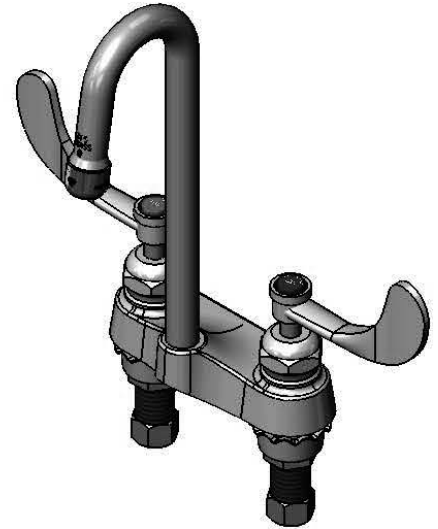
Customer/Wholesaler _____

Contractor _____

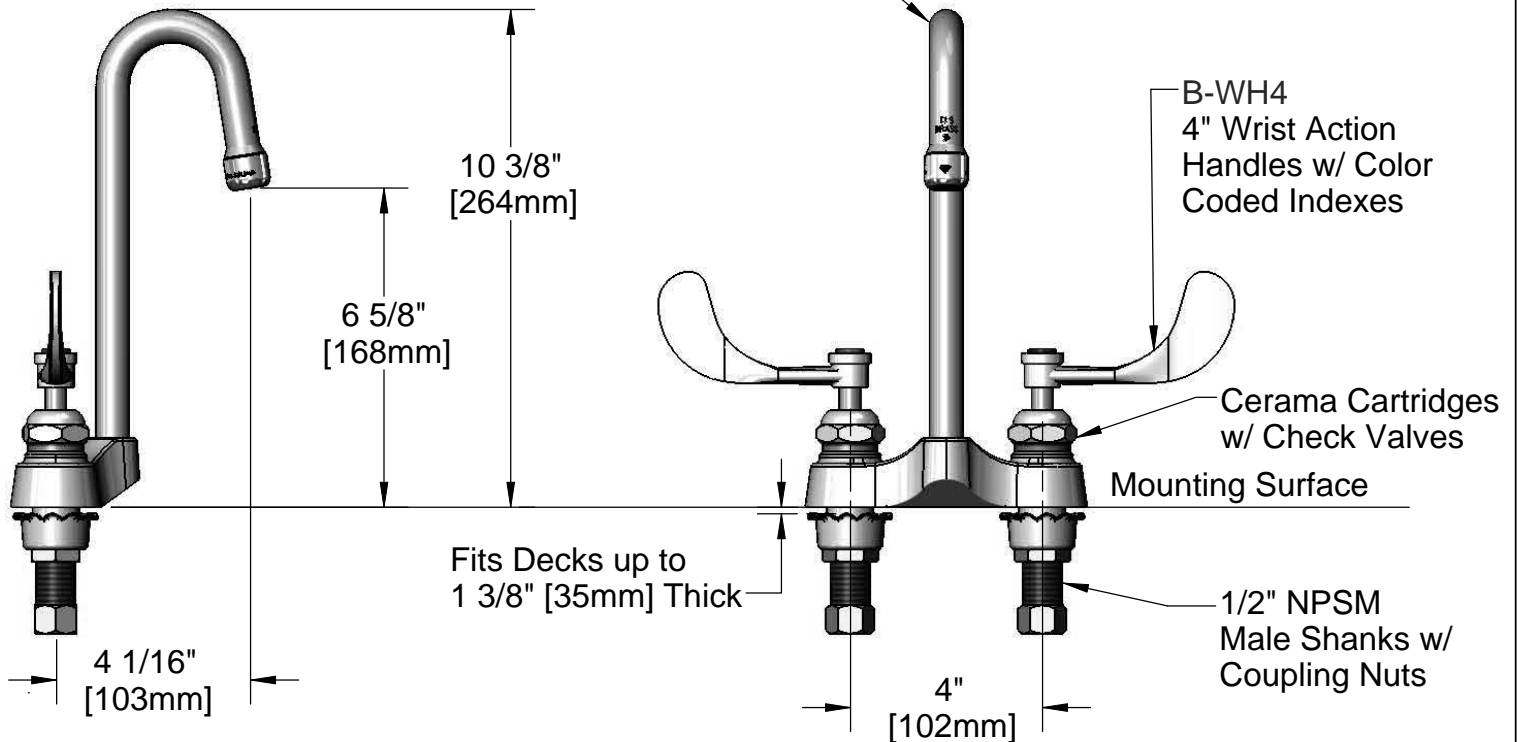
Architect/Engineer _____



ADA Compliant



Rigid Gooseneck
w/ B-0199-01-F10 Aerator
1.0 GPM



Note: Rough-In Requirements:
(2) ϕ 1 1/8" [29mm] Mounting Holes

Product Specifications:
4" Centerset Mixing Faucet w/ 1/2" NPSM Male Shanks,
Cerama Cartridges w/ Check Valves, 4" Wrist Action
Handles & Rigid Gooseneck w/ 1.0 GPM Aerator

Drawn KJG	Checked DMH	Approved JHB
Scale: 1:4		Date: 10/08/10



T&S BRASS AND BRONZE WORKS, INC.

2 Saddleback Cove / P.O. Box 1088
Travelers Rest, SC 29690



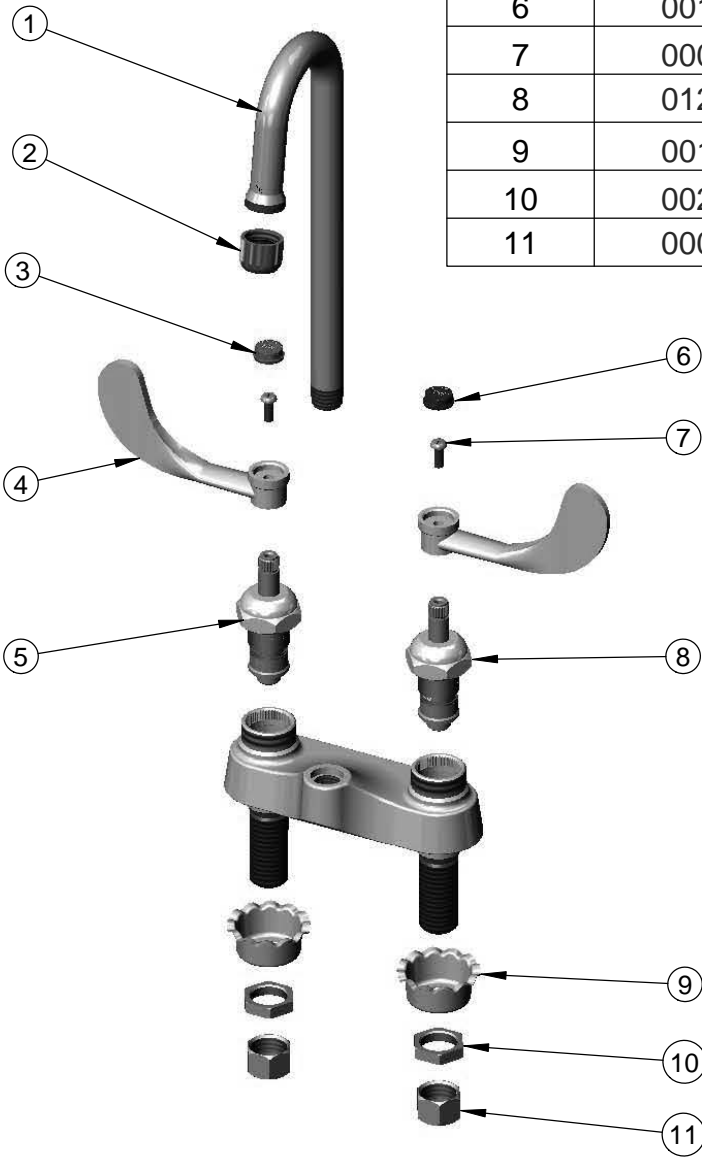
REG. #A2601
ISO #9001

Model No.
B-0892-F1-CR-SC

Item No.

Travelers Rest, SC: 800-476-4103 Simi Valley, CA: 800-423-0150 Fax: 864-834-3518 www.tsbrass.com

ITEM NO.	SALES NO.	DESCRIPTION
1	005028-40	Gooseneck
2	B-0199-01-F10	1.0 GPM Aerator, Female
3	001194-45	Red HW Index
4	B-WH4	4" Wrist Action Handle
5	012394-25	Cerama Cartridge, RTC w/ Check Valve
6	001686-45	Blue CW Index
7	000925-45	Lab Handle Screw
8	012395-25	Cerama Cartridge, LTC w/ Check Valve
9	001000-45	Rosette Washer
10	002954-45	Shank Lock Nut
11	000958-20	Coupling Nut



Product Specifications:

4" Centerset Mixing Faucet w/ 1/2" NPSM Male Shanks,
Cerama Cartridges w/ Check Valves, 4" Wrist Action
Handles & Rigid Gooseneck w/ 1.0 GPM Aerator

Drawn KJG	Checked DMH	Approved JHB
Scale: 1:4		DATE 10/08/10