



T&S BRASS AND BRONZE WORKS, INC.

2 Saddleback Cove / P.O. Box 1088
Travelers Rest, SC 29690

Model No.

B-0892-LF12-CR4

Item No.

Travelers Rest, SC: 800-476-4103 • Simi Valley, CA: 800-423-0150 • Fax: 864-834-3518 • www.tsbrass.com



ADA Compliant

This Space for Architect/Engineer Approval

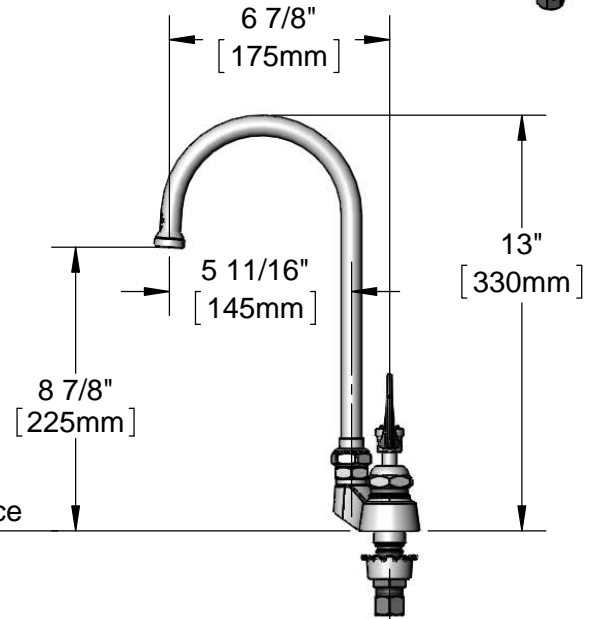
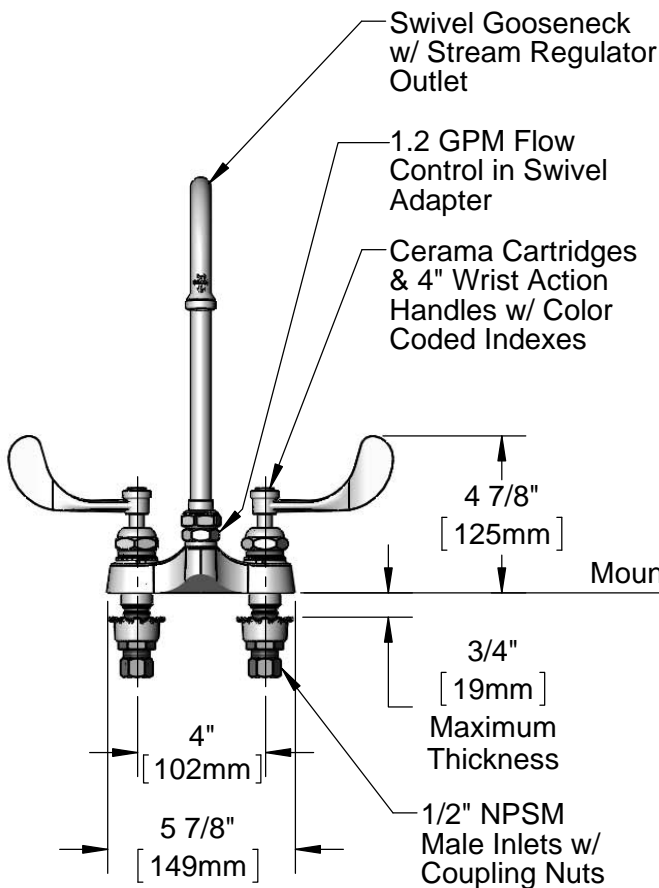
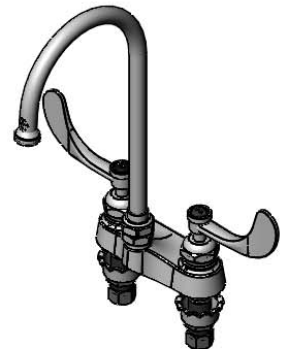
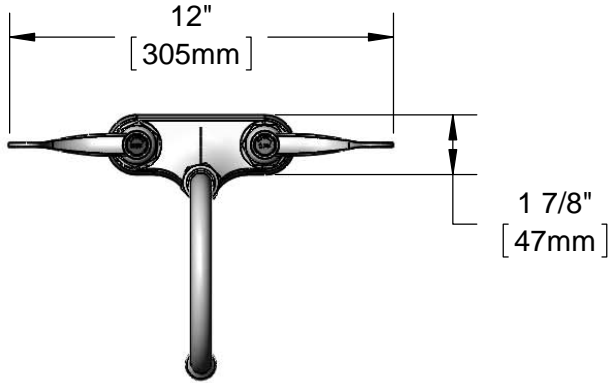
Job Name _____ Date _____

Model Specified _____ Quantity _____

Customer/Wholesaler _____

Contractor _____

Architect/Engineer _____



Rough-in Requirement :
(2) ϕ 1 1/8" [29mm] Mounting Holes

Product Specifications:

4" Centerset Deck Mount Mixing Faucet, Cerama Cartridges, 4" Wrist Action Handles, Swivel Gooseneck w/ Stream Regulator Outlet, 1.2 GPM Flow Control, 1/2" NPSM Male Inlets w/ Coupling Nuts

Product Compliance:

ASME A112.18.1 / CSA B125.1
NSF 61 - Section 9
NSF 372 (Low Lead Content)
ANSI A117.1 (ADA)



T&S BRASS AND BRONZE WORKS, INC.

2 Saddleback Cove / P.O. Box 1088
Travelers Rest, SC 29690

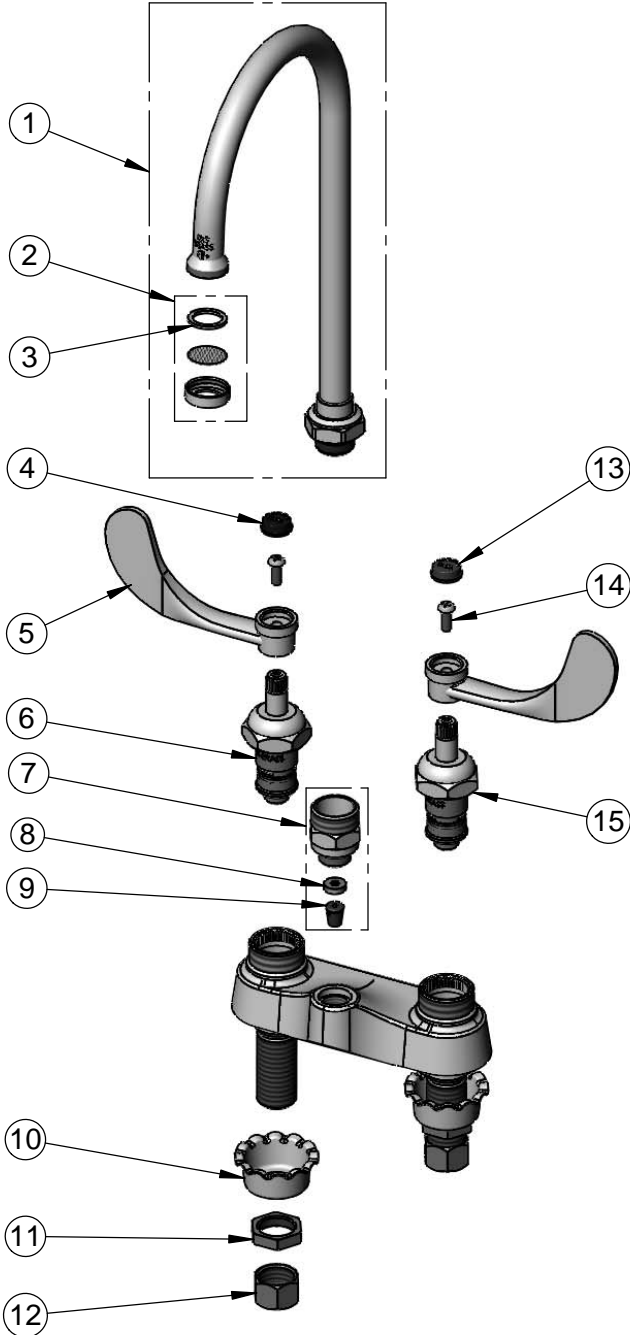
Model No.

B-0892-LF12-CR4

Item No.

Travelers Rest, SC: 800-476-4103 • Simi Valley, CA: 800-423-0150 • Fax: 864-834-3518 • www.tsbrass.com

ITEM NO.	SALES NO.	DESCRIPTION
1	016887-40	Swivel Gooseneck
2	B-PT	Stream Reguator Outlet
3	001048-45	Nozzle Tip Washer
4	001194-45	Red Index - HW
5	B-WH4	4" Wrist Action Handle
6	011278-25	Ceramic Cartridge, RTC
7	B-0412-F12	Adapter, Rigid-to-Swivel w/ 1.2 GPM Flow Control
8	009069-45	Flow Control Holder
9	001643-45	1.2 GPM Flow Control
10	001000-45	Rosette Washer
11	002954-45	Shank Lock Nut
12	000958-20	Coupling Nut
13	001686-45	Blue Index - CW
14	000925-45	Lab Handle Screw
15	011279-25	Ceramic Cartridge, LTC



Product Specifications:

4" Centerset Deck Mount Mixing Faucet, Cerama Cartridges, 4" Wrist Action Handles, Swivel Gooseneck w/ Stream Regulator Outlet, 1.2 GPM Flow Control, 1/2" NPSM Male Inlets w/ Coupling Nuts

Product Compliance:

ASME A112.18.1 / CSA B125.1
NSF 61 - Section 9
NSF 372 (Low Lead Content)
ANSI A117.1 (ADA)