



T&S BRASS AND BRONZE WORKS, INC.

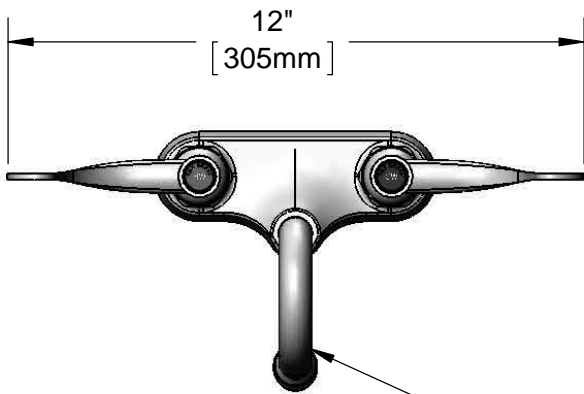
2 Saddleback Cove / P.O. Box 1088
Travelers Rest, SC 29690

Model No.

B-0892-LF22

Item No.

Travelers Rest, SC: 800-476-4103 • Simi Valley, CA: 800-423-0150 • Fax: 864-834-3518 • www.tsbrass.com



ADA Compliant

This Space for Architect/Engineer Approval

Job Name _____ Date _____

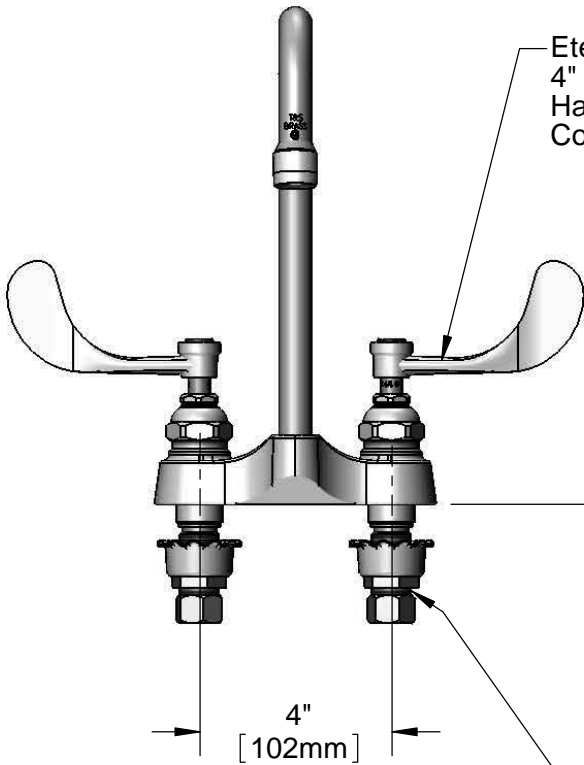
Model Specified _____ Quantity _____

Customer/Wholesaler _____

Contractor _____

Architect/Engineer _____

Rigid Gooseneck w/
B-0199-21
2.2 GPM Laminar
Flow Device

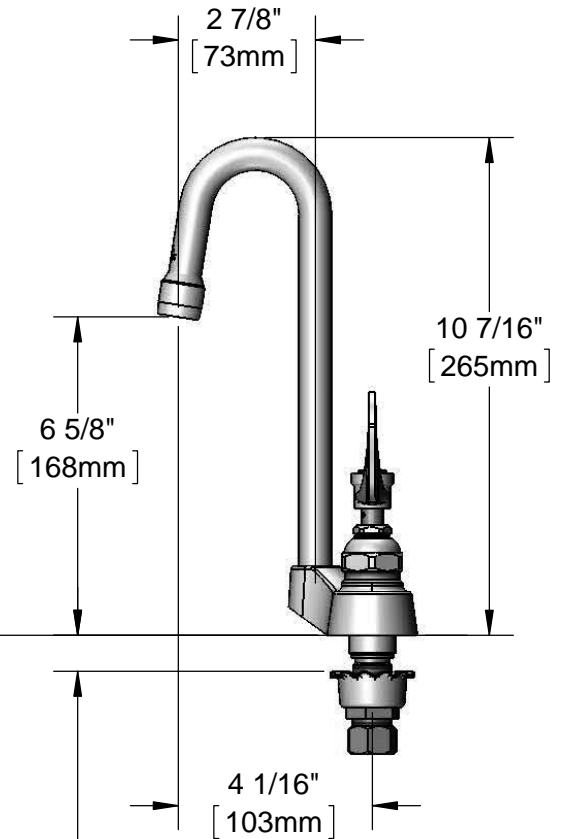


Eterna Cartridges &
4" Wrist Action
Handles w/ Color
Coded Indexes

Mounting Surface

3/4"
[19mm]
Maximum Thickness
(1 3/8" [35mm] Thick
Without Rosette Washers)

1/2" NPSM
Male Shanks w/
Coupling Nuts



Rough-In Requirement:
(2) ϕ 1 1/8" [29mm] Mounting Holes

Product Specifications:
4" Centerset Mixing Faucet w/ 1/2" NPSM Male Shanks,
Eterna Cartridges, 4" Wrist Action Handles, Rigid Gooseneck
w/ 2.2 GPM Laminar Flow Device

Drawn
KJG

Checked
DHL

Approved
JHB

Scale:
1:4

Date:
05/01/12



T&S BRASS AND BRONZE WORKS, INC.

2 Saddleback Cove / P.O. Box 1088

Travelers Rest, SC 29690

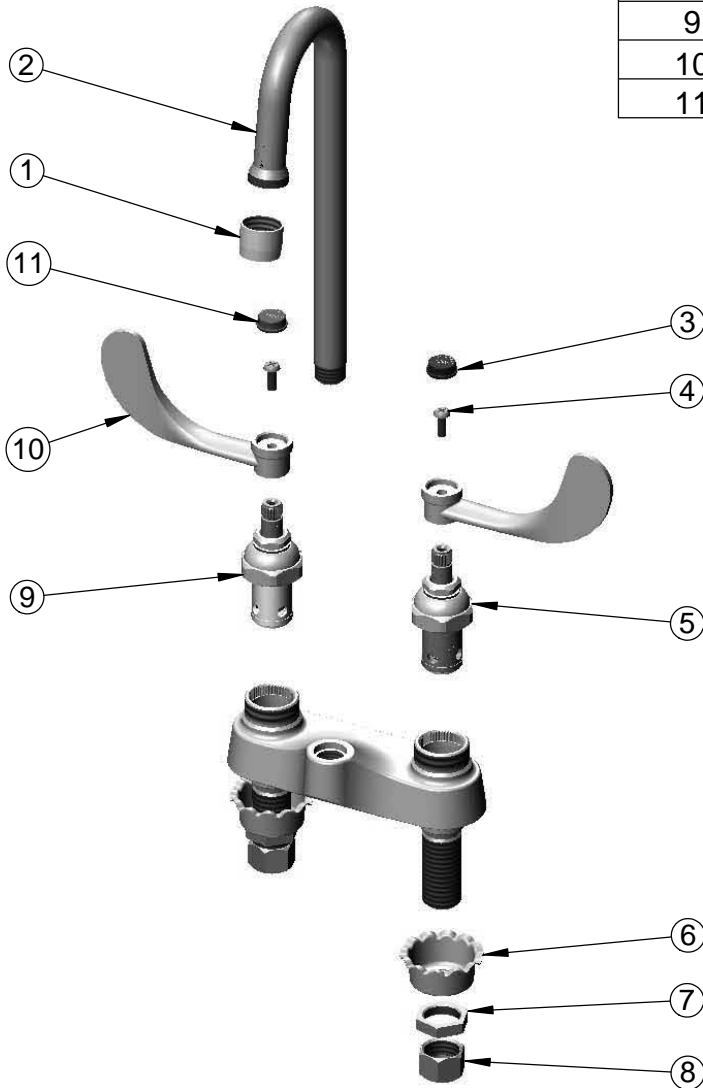
Model No.

B-0892-LF22

Item No.

Travelers Rest, SC: 800-476-4103 • Simi Valley, CA: 800-423-0150 • Fax: 864-834-3518 • www.tsbrass.com

| ITEM NO. | SALES NO. | DESCRIPTION |
|----------|-----------|------------------------|
| 1 | B-0199-21 | Laminar Flow Device |
| 2 | 005028-40 | Gooseneck |
| 3 | 001686-45 | Blue CW Index |
| 4 | 000925-45 | Lab Handle Screw |
| 5 | 006009-40 | Eterna Cartridge, LTC |
| 6 | 001000-45 | Rosette Washer |
| 7 | 002954-45 | Shank Lock Nut |
| 8 | 000958-20 | Coupling Nut |
| 9 | 006010-40 | Eterna Cartridge, RTC |
| 10 | B-WH4 | 4" Wrist Action Handle |
| 11 | 001194-45 | Red HW Index |



Product Specifications:
 4" Centerset Mixing Faucet w/ 1/2" NPSM Male Shanks,
 Eterna Cartridges, 4" Wrist Action Handles, Rigid Gooseneck
 w/ 2.2 GPM Laminar Flow Device

| | | |
|----------------------|-----------------------|--------------------------|
| Drawn KJG | Checked DHL | Approved JHB |
| Scale: NTS | | Date: 05/01/12 |