



**T&S BRASS AND BRONZE WORKS, INC.**  
 2 Saddleback Cove / P.O. Box 1088  
 Travelers Rest, SC 29690

Model No.

**B-0892-LN-QT**

Item No.

Travelers Rest, SC: 800-476-4103 • Simi Valley, CA: 800-423-0150 • Fax: 864-834-3518 • www.tsbrass.com



**ADA Compliant**

This Space for Architect/Engineer Approval

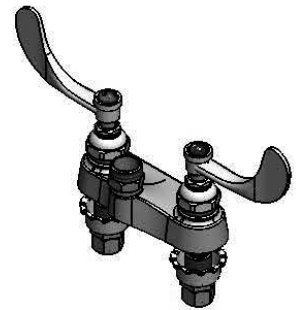
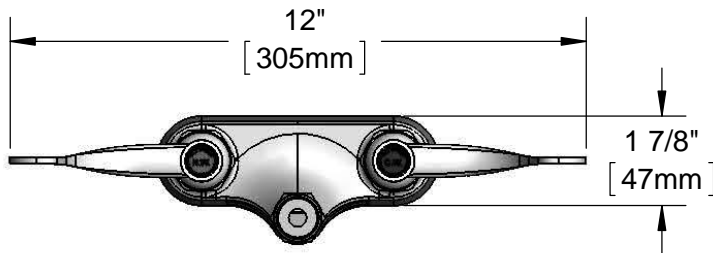
Job Name \_\_\_\_\_ Date \_\_\_\_\_

Model Specified \_\_\_\_\_ Quantity \_\_\_\_\_

Customer/Wholesaler \_\_\_\_\_

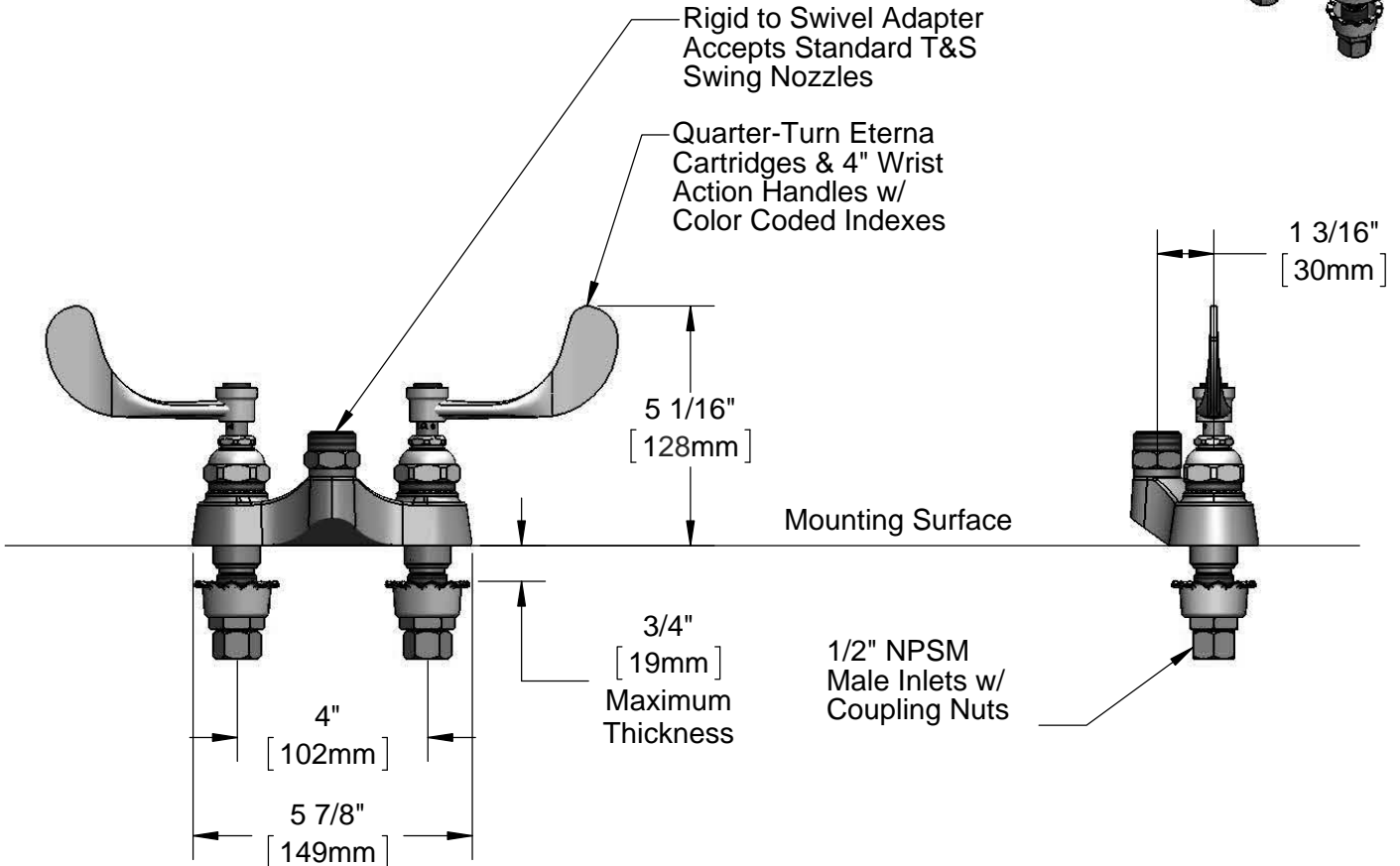
Contractor \_\_\_\_\_

Architect/Engineer \_\_\_\_\_



Rigid to Swivel Adapter  
 Accepts Standard T&S  
 Swing Nozzles

Quarter-Turn Eterna  
 Cartridges & 4" Wrist  
 Action Handles w/  
 Color Coded Indexes



**Rough-In Requirements:**  
 (2)  $\varnothing$  1 1/8" [29mm] Mounting Holes

**Product Specifications:**  
 4" Centerset Deck Mount Mixing Faucet, Quarter-Turn Eterna Cartridges,  
 4" Wrist Action Handles, Rigid to Swivel Adapter & 1/2" NPSM Male Inlets,  
 Less Nozzle

**Product Compliance:**  
 ASME A112.18.1 / CSA B125.1  
 NSF 61 - Section 9  
 NSF 372 (Low Lead Content)  
 ANSI A117.1 (ADA)



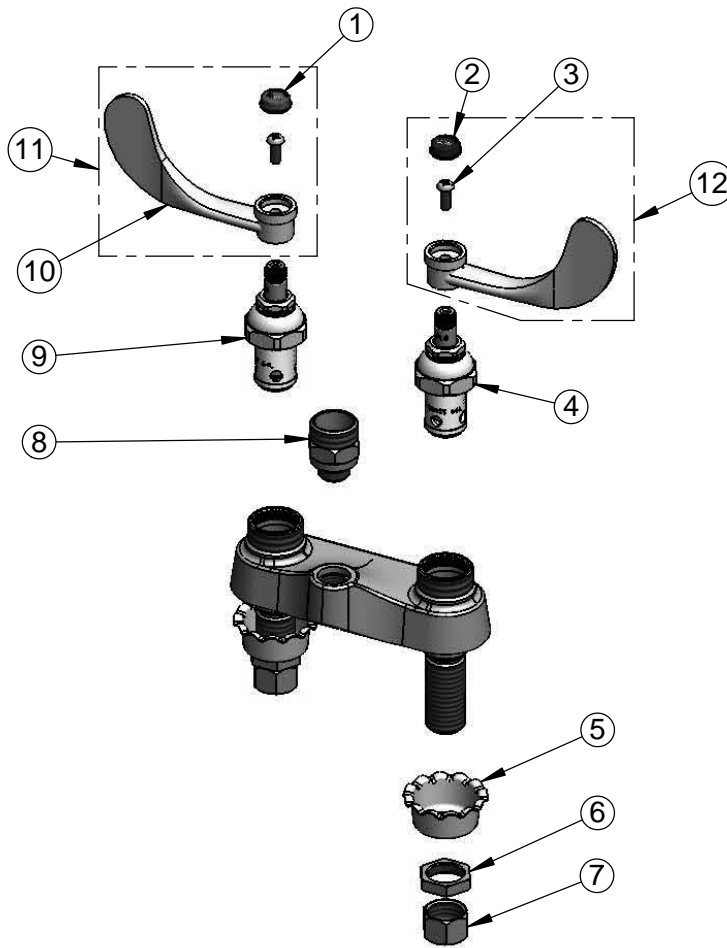
**T&S BRASS AND BRONZE WORKS, INC.**  
 2 Saddleback Cove / P.O. Box 1088  
 Travelers Rest, SC 29690

Model No.  
**B-0892-LN-QT**

Item No.

Travelers Rest, SC: 800-476-4103 • Simi Valley, CA: 800-423-0150 • Fax: 864-834-3518 • www.tsbrass.com

ITEM NO.	SALES NO.	DESCRIPTION
1	001194-45	Red Index - HW
2	001686-45	Blue Index - CW
3	000925-45	Lab Handle Screw
4	006009-40QT	Quarter-Turn Eterna Cartridge, LTC (Teflon)
5	001000-45	Rosette Washer
6	002954-45	Shank Lock Nut
7	000958-20	Coupling Nut
8	B-0412	Rigid to Swivel Adapter
9	006010-40QT	Quarter-Turn Eterna Cartridge, RTC (Teflon)
10	B-WH4	4" Wrist Action Handle
11	B-WH4H	4" Wrist Action Handle, Screw & Hot Index
12	B-WH4C	4" Wrist Action Handle, Screw & Cold Index



**Product Specifications:**

4" Centerset Deck Mount Mixing Faucet, Quarter-Turn Eterna Cartridges, 4" Wrist Action Handles, Rigid to Swivel Adapter & 1/2" NPSM Male Inlets, Less Nozzle

**Product Compliance:**

ASME A112.18.1 / CSA B125.1  
 NSF 61 - Section 9  
 NSF 372 (Low Lead Content)  
 ANSI A117.1 (ADA)