



# T&S BRASS AND BRONZE WORKS, INC.

2 Saddleback Cove / P.O. Box 1088  
Travelers Rest, SC 29690

Model No.

**B-0892-QT-133XP**

Item No.

Travelers Rest, SC: 800-476-4103 • Simi Valley, CA: 800-423-0150 • Fax: 864-834-3518 • www.tsbrass.com



**ADA Compliant**

This Space for Architect/Engineer Approval

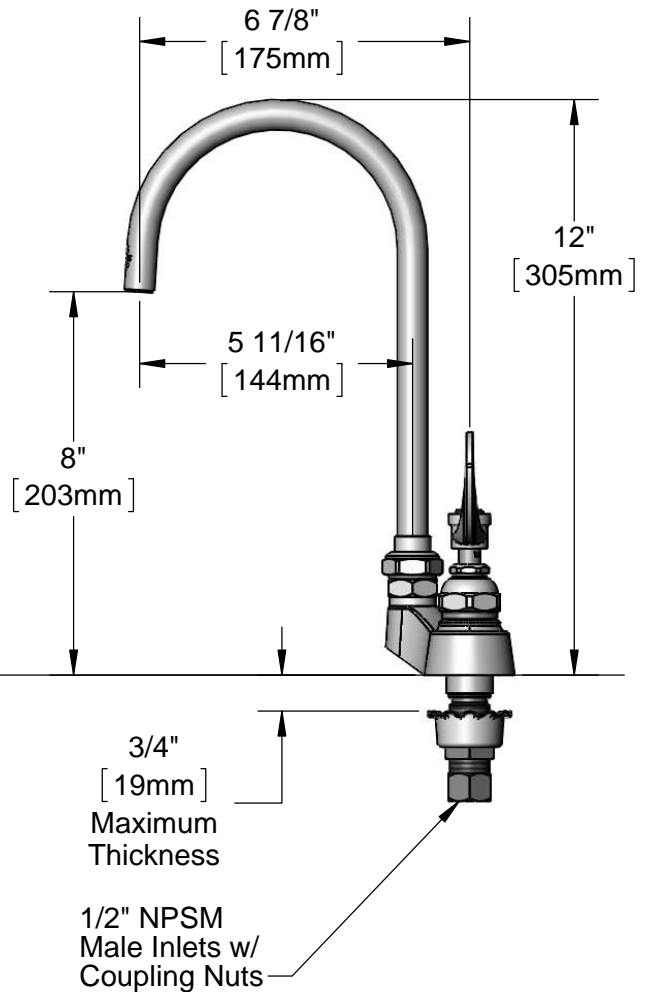
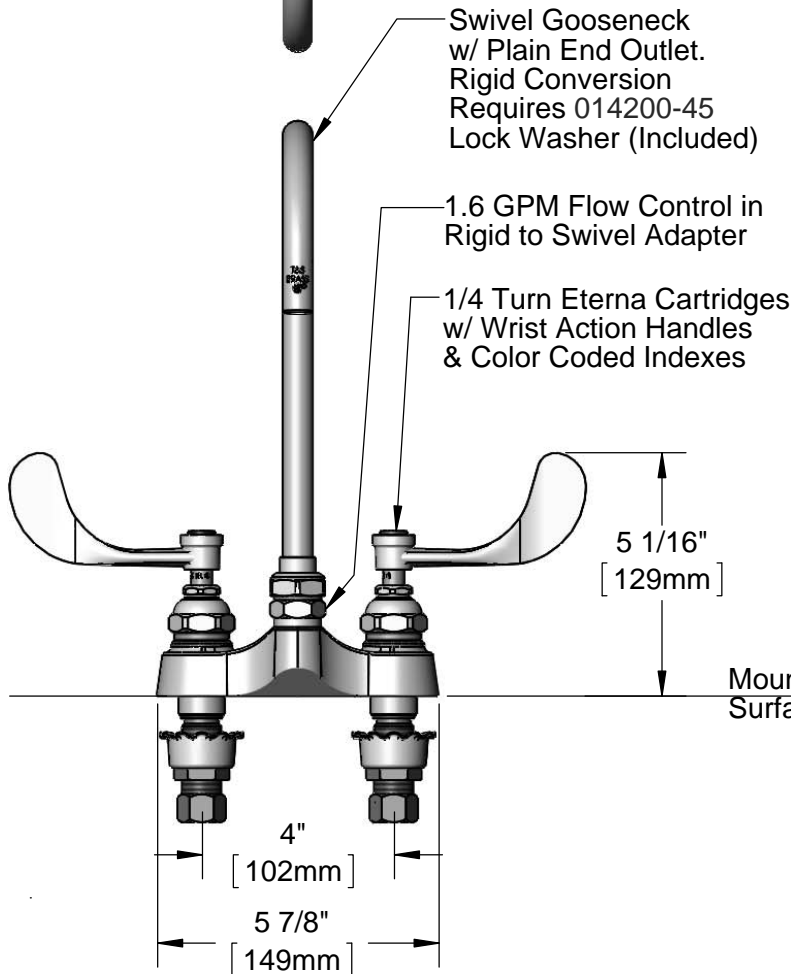
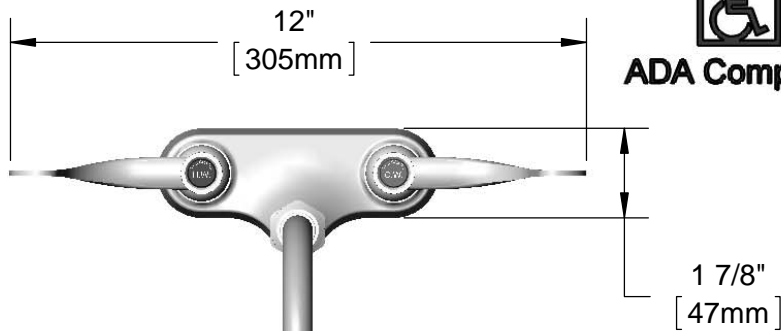
Job Name \_\_\_\_\_ Date \_\_\_\_\_

Model Specified \_\_\_\_\_ Quantity \_\_\_\_\_

Customer/Wholesaler \_\_\_\_\_

Contractor \_\_\_\_\_

Architect/Engineer \_\_\_\_\_



Mounting Surface

**Rough-In Requirement:**  
(2)  $\phi$  1 1/8" [29mm] Mounting Holes

**Product Specifications:**

4" Centerset Deck Mount Mixing Faucet, 1/4 Turn Eterna Cartridges, 4" Wrist Action Handles, Swivel Gooseneck w/ Plain End Outlet, 1.6 GPM Flow Control & 1/2" NPSM Male Inlets w/ Coupling Nuts

**Product Compliance:**

ASME A112.18.1 / CSA B125.1  
NSF 61 - Section 9  
NSF 372 (Low Lead Content)  
ANSI A117.1 (ADA)



# T&S BRASS AND BRONZE WORKS, INC.

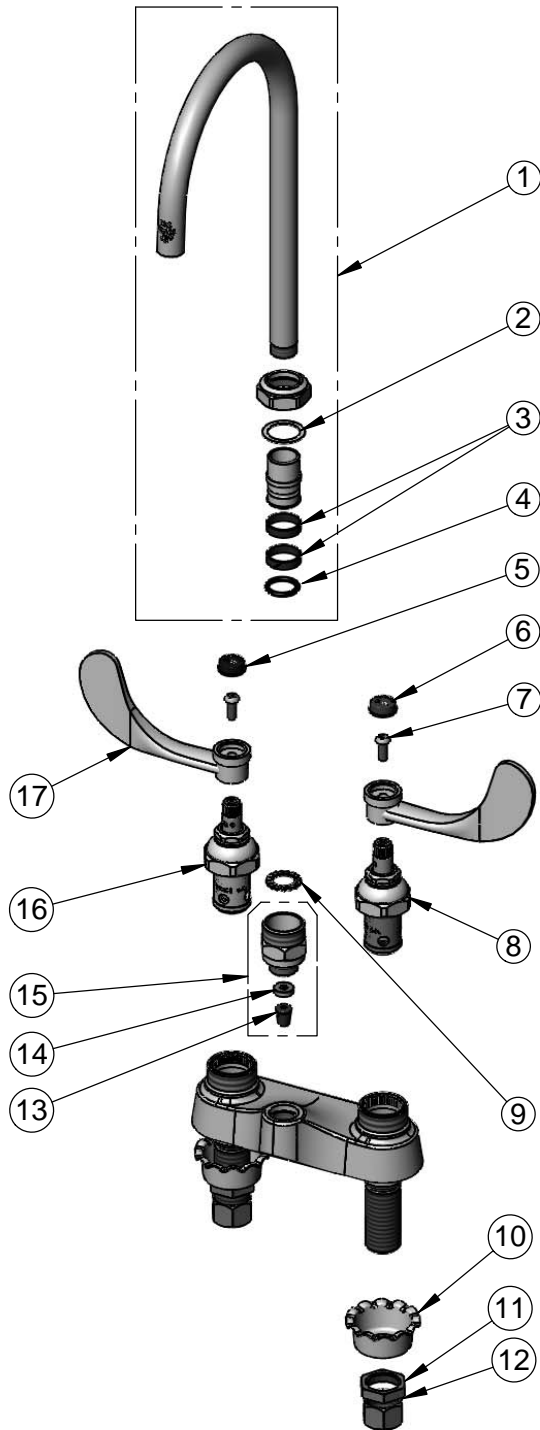
2 Saddleback Cove / P.O. Box 1088  
Travelers Rest, SC 29690

Model No.

B-0892-QT-133XP

Item No.

Travelers Rest, SC: 800-476-4103 • Simi Valley, CA: 800-423-0150 • Fax: 864-834-3518 • www.tsbrass.com



ITEM NO.	SALES NO.	DESCRIPTION
1	133XP	Swivel Gooseneck w/ Plain End
2	009538-45	Swivel Washer
3	011429-45	Swivel Sleeves (2)
4	001074-45	O-Ring
5	001194-45	Red Index - HW
6	001686-45	Blue Index - CW
7	000925-45	Lab Handle Screw
8	006009-40QT	1/4 Turn Eterna Cartridge, LTC (Teflon)
9	014200-45	Star Washer, Anti-Rotation
10	001000-45	Rosette Washer
11	002954-45	Shank Lock Nut
12	000958-20	Coupling Nut
13	016232-45	1.6 GPM Flow Control
14	009069-45	Flow Control Holder
15	B-0412-F16	Rigid-to-Swivel Adapter w/ 1.6 GPM Flow Control
16	006010-40QT	1/4 Turn Eterna Cartridge, RTC (Teflon)
17	B-WH4	4" Wrist Action Handle

**Product Specifications:**

4" Centerset Deck Mount Mixing Faucet, 1/4 Turn Eterna Cartridges, 4" Wrist Action Handles, Swivel Gooseneck w/ Plain End Outlet, 1.6 GPM Flow Control & 1/2" NPSM Male Inlets w/ Coupling Nuts

**Product Compliance:**

ASME A112.18.1 / CSA B125.1  
NSF 61 - Section 9  
NSF 372 (Low Lead Content)  
ANSI A117.1 (ADA)