



T&S BRASS AND BRONZE WORKS, INC.

2 Saddleback Cove / P.O. Box 1088
Travelers Rest, SC 29690

Model No.

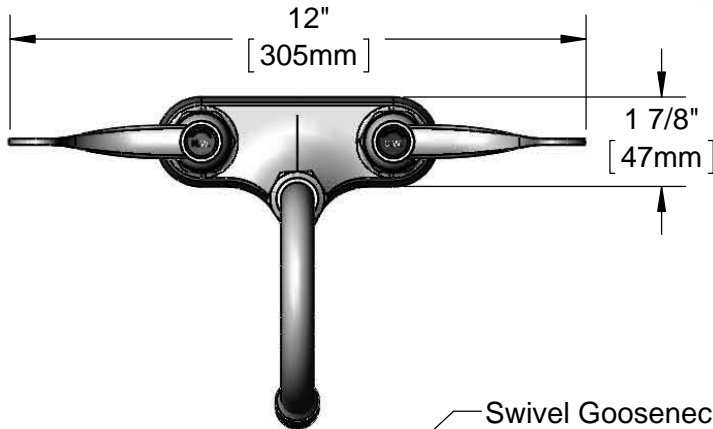
B-0892-QT-F05

Item No.

Travelers Rest, SC: 800-476-4103 • Simi Valley, CA: 800-423-0150 • Fax: 864-834-3518 • www.tsbrass.com



ADA Compliant



This Space for Architect/Engineer Approval

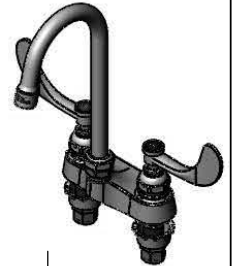
Job Name _____ Date _____

Model Specified _____ Quantity _____

Customer/Wholesaler _____

Contractor _____

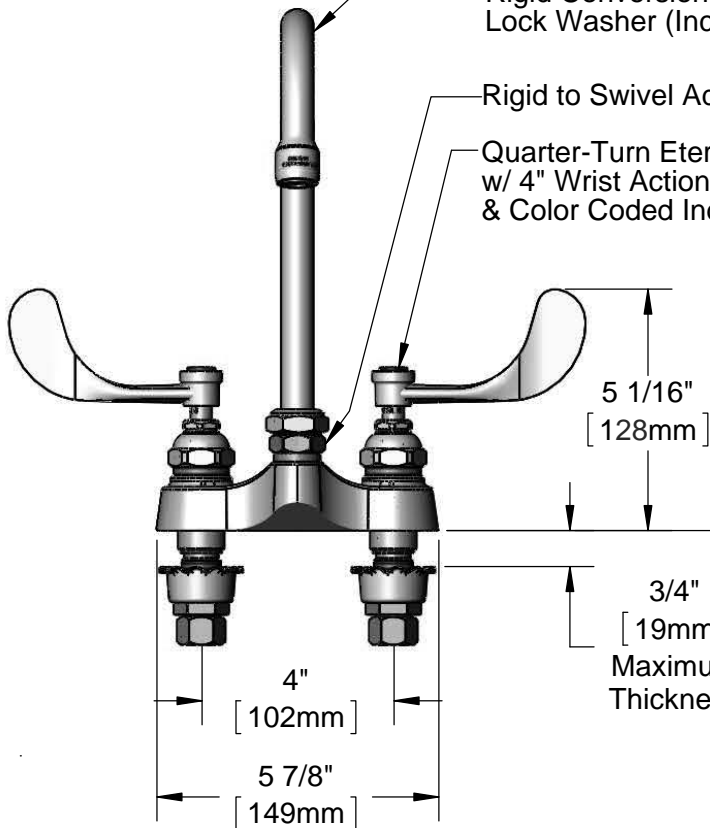
Architect/Engineer _____



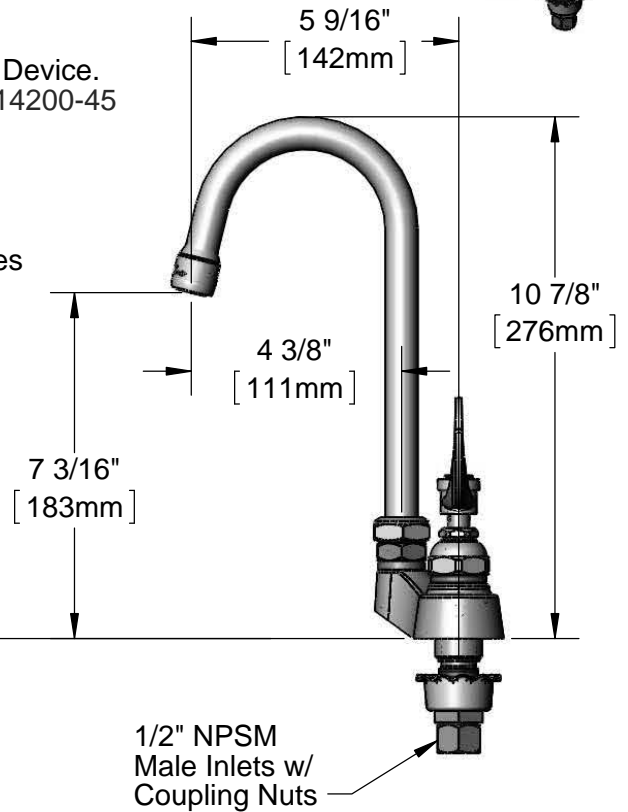
Swivel Gooseneck w/
B-0199-01-N05
0.5 GPM Non-Aerated Spray Device.
Rigid Conversion Requires 014200-45
Lock Washer (Included)

Rigid to Swivel Adapter

Quarter-Turn Eterna Cartridges
w/ 4" Wrist Action Handles
& Color Coded Indexes



Mounting
Surface

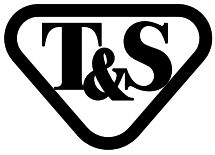


1/2" NPSM
Male Inlets w/
Coupling Nuts

Rough-In Requirement:
(2) ϕ 1 1/8" [29mm] Mounting Holes

Product Specifications:
4" Centerset Deck Mount Mixing Faucet, Quarter-Turn Eterna Cartridges,
4" Wrist Action Handles, Swivel Gooseneck, 0.5 GPM Non-Aerated Spray
Device, Rigid to Swivel Adapter & 1/2" NPSM Male Inlets

Product Compliance:
ASME A112.18.1 / CSA B125.1
NSF 61 - Section 9
NSF 372 (Low Lead Content)
ANSI A117.1 (ADA)



T&S BRASS AND BRONZE WORKS, INC.

2 Saddleback Cove / P.O. Box 1088
Travelers Rest, SC 29690

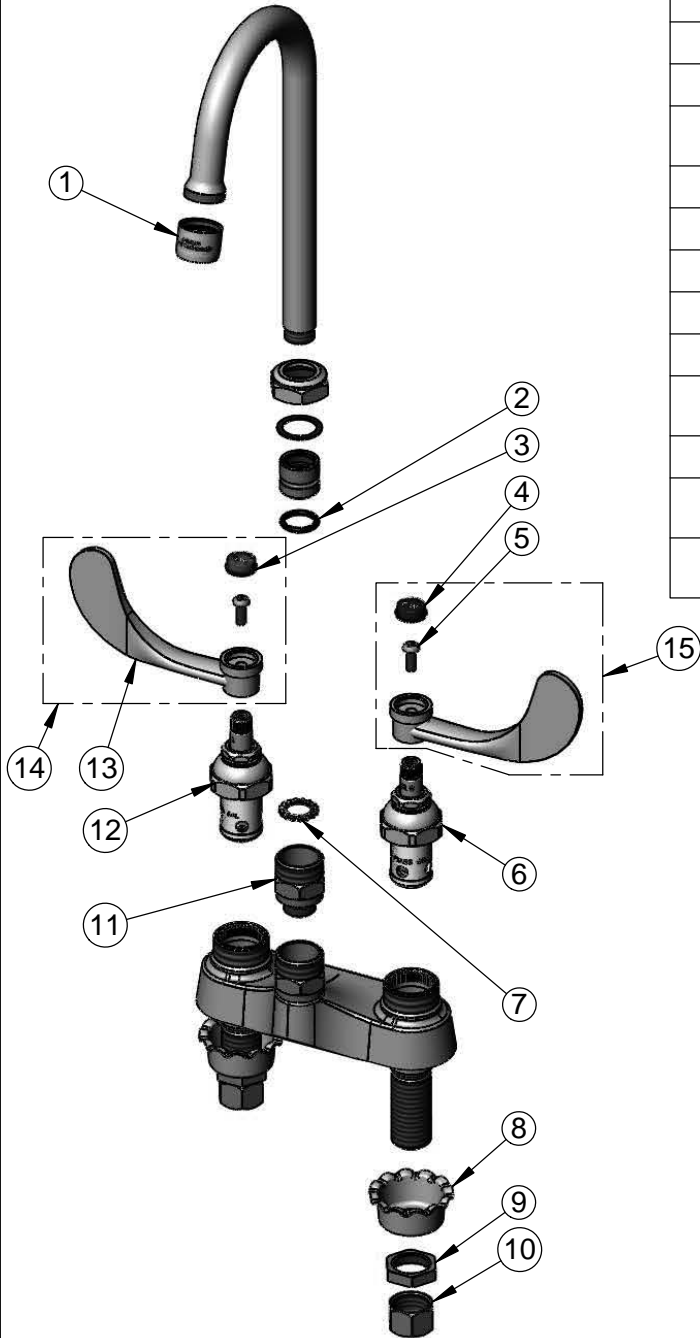
Model No.

B-0892-QT-F05

Item No.

Travelers Rest, SC: 800-476-4103 • Simi Valley, CA: 800-423-0150 • Fax: 864-834-3518 • www.tsbrass.com

ITEM NO.	SALES NO.	DESCRIPTION
1	B-0199-01-N05	0.5 GPN Non-Aerated Spray Device, 55/64-27 UN Female
2	001074-45	O-Ring
3	001194-45	Red Index - HW
4	001686-45	Blue Index - CW
5	000925-45	Lab Handle Screw
6	006009-40QT	Quarter-Turn Eterna Cartridge, LTC (Teflon)
7	014200-45	Star Washer, Anti-Rotation
8	001000-45	Rosette Washer
9	002954-45	Shank Lock Nut
10	000958-20	Coupling Nut
11	B-0412	Rigid to Swivel Adapter
12	006010-40QT	Quarter-Turn Eterna Cartridge, RTC (Teflon)
13	B-WH4	4" Wrist Action Handle
14	B-WH4H	4" Wrist Action Handle, Screw & Hot Index
15	B-WH4C	4" Wrist Action Handle, Screw & Cold Index



Product Specifications:

4" Centerset Deck Mount Mixing Faucet, Quarter-Turn Eterna Cartridges, 4" Wrist Action Handles, Swivel Gooseneck, 0.5 GPM Non-Aerated Spray Device, Rigid to Swivel Adapter & 1/2" NPSM Male Inlets

Product Compliance:

ASME A112.18.1 / CSA B125.1
NSF 61 - Section 9
NSF 372 (Low Lead Content)
ANSI A117.1 (ADA)