



T&S BRASS AND BRONZE WORKS, INC.

2 Saddleback Cove / P.O. Box 1088
Travelers Rest, SC 29690

Model No.

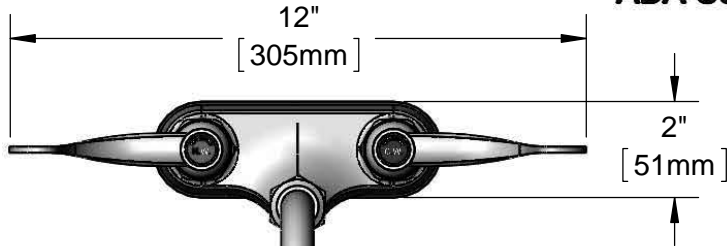
B-0892-QT-VF05G

Item No.

Travelers Rest, SC: 800-476-4103 • Simi Valley, CA: 800-423-0150 • Fax: 864-834-3518 • www.tsbrass.com



ADA Compliant



This Space for Architect/Engineer Approval

Job Name _____ Date _____

Model Specified _____ Quantity _____

Customer/Wholesaler _____

Contractor _____

Architect/Engineer _____

Swivel Gooseneck w/
0.5 GPM Vandal Resistant
Non-Aerated Spray Device.
Rigid Conversion Requires
014200-45 Lock Washer
(Included)

Rigid to Swivel Adapter

Quarter-Turn Eterna Cartridges
& 4" Wrist Action Handles w/
Color Coded Indexes

Rubber
Gasket

Mounting
Surface

11/16"
[17mm]
Maximum
Thickness

1/2" NPSM
Male Inlets w/
Coupling Nuts



5 5/8"
[142mm]

10 15/16"
[278mm]

4 7/16"
[112mm]

7 5/16"
[185mm]

5 1/8"
[129mm]

4"
[102mm]

6"
[152mm]

Rough-In Requirement:
(2) ϕ 1 1/8" [29mm] Mounting Holes

Product Specifications:

4" Centerset Deck Mount Mixing Faucet, Quarter-Turn Eterna Cartridges, 4" Wrist Action Handles, Swivel Gooseneck, 0.5 GPM VR Non-Aerated Spray Device, Rubber Gasket, Rigid to Swivel Adapter & 1/2" NPSM Male Inlets

Product Compliance:

ASME A112.18.1 / CSA B125.1
NSF 61 - Section 9
NSF 372 (Low Lead Content)
ANSI A117.1 (ADA)



T&S BRASS AND BRONZE WORKS, INC.

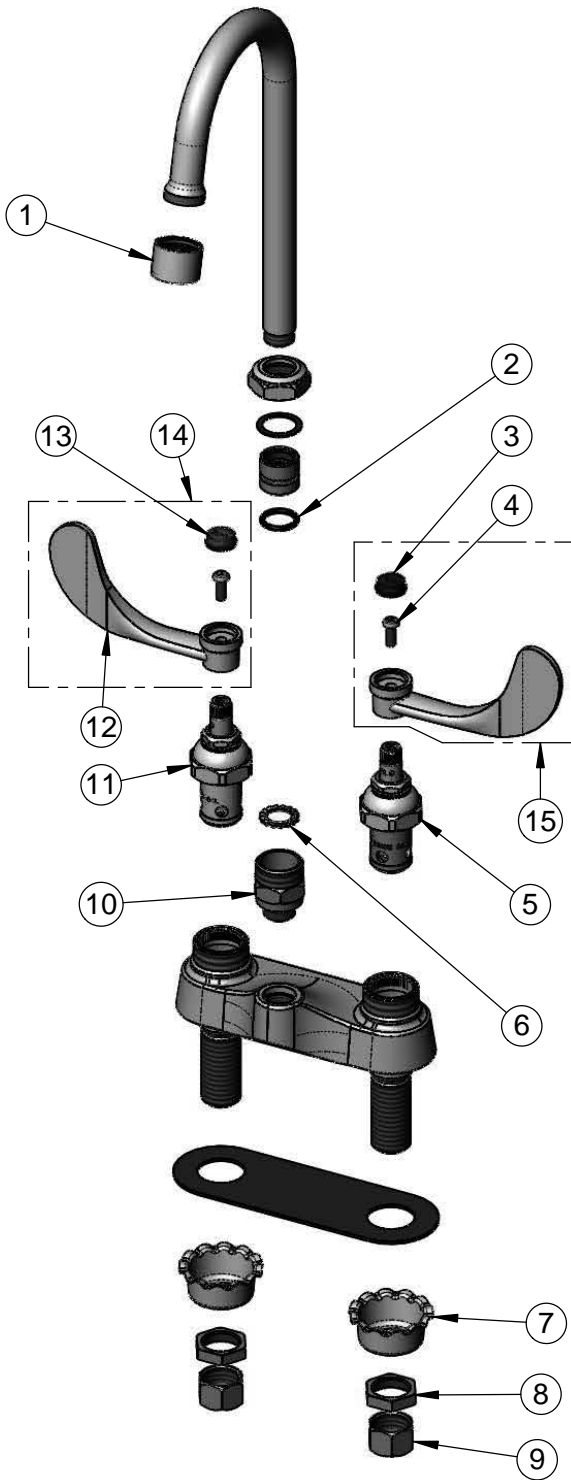
2 Saddleback Cove / P.O. Box 1088
Travelers Rest, SC 29690

Model No.

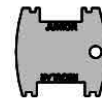
B-0892-QT-VF05G

Item No.

Travelers Rest, SC: 800-476-4103 • Simi Valley, CA: 800-423-0150 • Fax: 864-834-3518 • www.tsbrass.com



ITEM NO.	SALES NO.	DESCRIPTION
1	B-0199-06-N05	VR 0.5 GPM Non-Aerated Spray Device, 55/64-27 UN Female w/ Key
2	001074-45	O-Ring
3	001686-45	Blue Index - CW
4	000925-45	Lab Handle Screw
5	006009-40QT	Quarter-Turn Eterna Cartridge, LTC (Teflon)
6	014200-45	Star Washer, Anti-Rotation
7	001000-45	Rosette Washer
8	002954-45	Shank Lock Nut
9	000958-20	Coupling Nut
10	B-0412	Rigid to Swivel Adapter
11	006010-40QT	Quarter-Turn Eterna Cartridge, RTC (Teflon)
12	B-WH4	4" Wrist Action Handle
13	001194-45	Red Index - HW
14	B-WH4H	4" Wrist Action Handle, Screw & Hot Index
15	B-WH4C	4" Wrist Action Handle, Screw & Cold Index



015425-45
Vandal Resistant Key
(Included)

Product Specifications:

4" Centerset Deck Mount Mixing Faucet, Quarter-Turn Eterna Cartridges, 4" Wrist Action Handles, Swivel Gooseneck, 0.5 GPM VR Non-Aerated Spray Device, Rubber Gasket, Rigid to Swivel Adapter & 1/2" NPSM Male Inlets

Product Compliance:

ASME A112.18.1 / CSA B125.1
NSF 61 - Section 9
NSF 372 (Low Lead Content)
ANSI A117.1 (ADA)