



T&S BRASS AND BRONZE WORKS, INC.

2 Saddleback Cove / P.O. Box 1088
Travelers Rest, SC 29690

Model No.

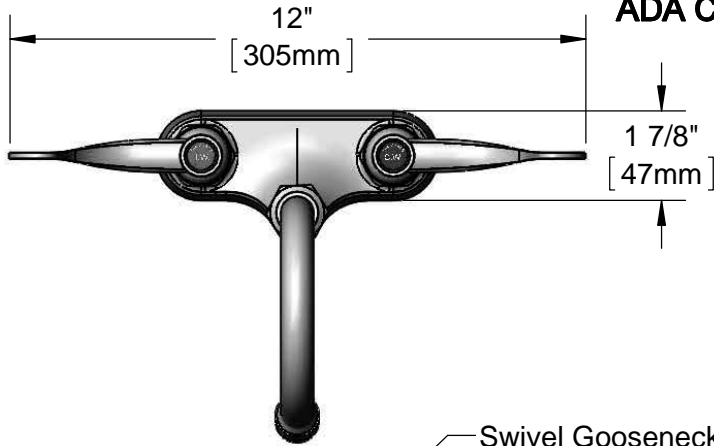
B-0892-QT-WS

Item No.

Travelers Rest, SC: 800-476-4103 • Simi Valley, CA: 800-423-0150 • Fax: 864-834-3518 • www.tsbrass.com



ADA Compliant



This Space for Architect/Engineer Approval

Job Name _____ Date _____

Model Specified _____ Quantity _____

Customer/Wholesaler _____

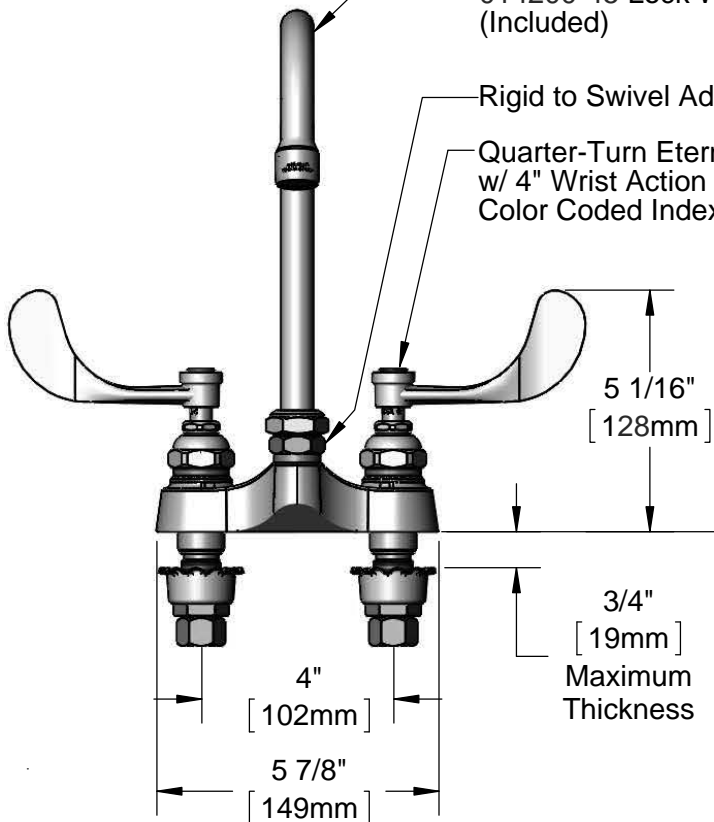
Contractor _____

Architect/Engineer _____

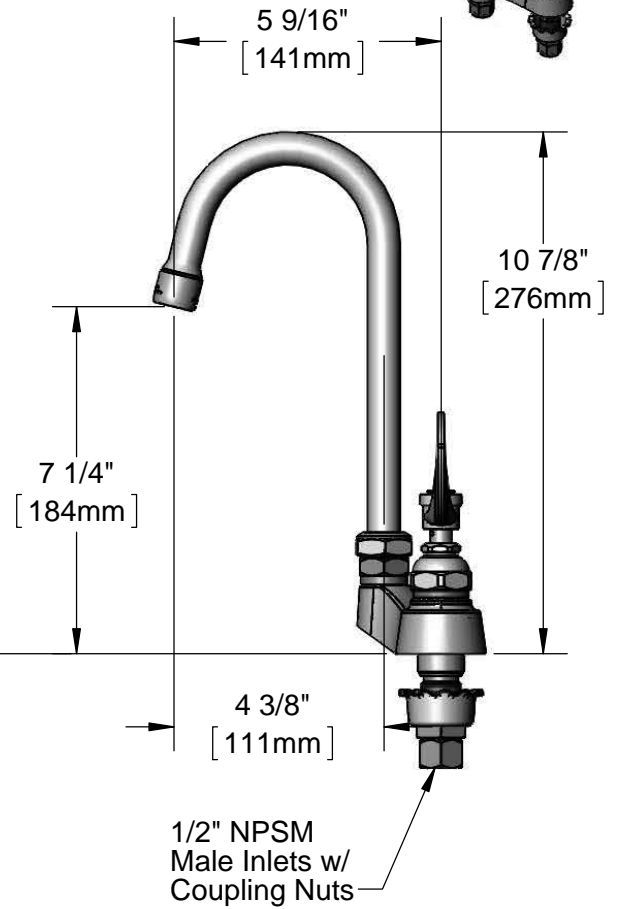
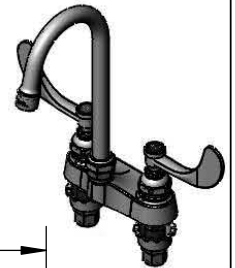
Swivel Gooseneck w/
1.5 GPM Aerator.
Rigid Conversion Requires
014200-45 Lock Washer
(Included)

Rigid to Swivel Adapter

Quarter-Turn Eterna Cartridges
w/ 4" Wrist Action Handles &
Color Coded Indexes



Mounting
Surface



1/2" NPSM
Male Inlets w/
Coupling Nuts

Rough-in Requirement:
(2) ϕ 1 1/8" [29mm] Mounting Holes

Product Specifications:

4" Centerset Deck Mount Mixing Faucet, Quarter-Turn Eterna Cartridges, 4" Wrist Action Handles, Swivel Gooseneck, 1.5 GPM Aerator, Rigid to Swivel Adapter & 1/2" NPSM Male Inlets

Product Compliance:

ASME A112.18.1 / CSA B125.1
NSF 61 - Section 9
NSF 372 (Low Lead Content)
ANSI A117.1 (ADA)



T&S BRASS AND BRONZE WORKS, INC.

2 Saddleback Cove / P.O. Box 1088
Travelers Rest, SC 29690

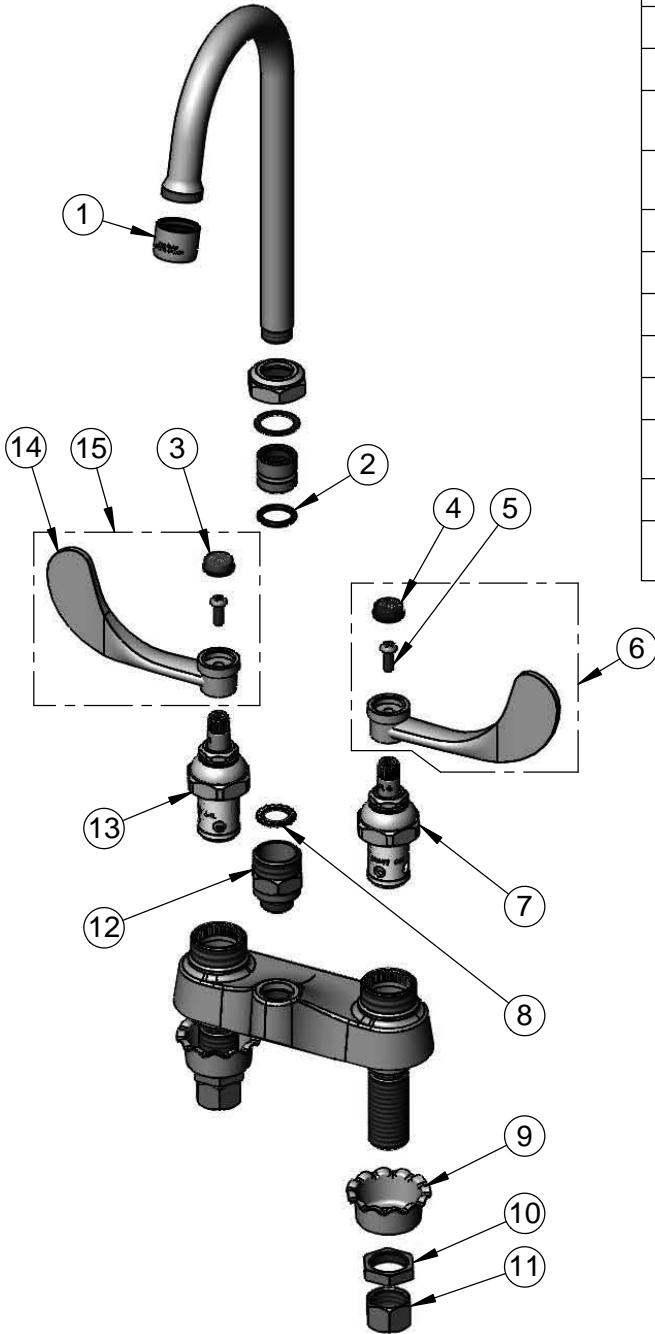
Model No.

B-0892-QT-WS

Item No.

Travelers Rest, SC: 800-476-4103 • Simi Valley, CA: 800-423-0150 • Fax: 864-834-3518 • www.tsbrass.com

ITEM NO.	SALES NO.	DESCRIPTION
1	B-0199-01-WS	1.5 GPM Aerator, 55/64-27 UN Female
2	001074-45	O-Ring
3	001194-45	Red Index - HW
4	001686-45	Blue Index - CW
5	000925-45	Lab Handle Screw
6	B-WH4C	4" Wrist Action Handle, Screw & Cold Index
7	006009-40QT	Quarter-Turn Eterna Cartridge, LTC (Teflon)
8	014200-45	Star Washer, Anti-Rotation
9	001000-45	Rosette Washer
10	002954-45	Shank Lock Nut
11	000958-20	Coupling Nut
12	B-0412	Rigid to Swivel Adapter
13	006010-40QT	Quarter-Turn Eterna Cartridge, RTC (Teflon)
14	B-WH4	4" Wrist Action Handle
15	B-WH4H	4" Wrist Action Handle, Screw & Hot Index



Product Specifications:

4" Centerset Deck Mount Mixing Faucet, Quarter-Turn Eterna Cartridges, 4" Wrist Action Handles, Swivel Gooseneck, 1.5 GPM Aerator, Rigid to Swivel Adapter & 1/2" NPSM Male Inlets

Product Compliance:

ASME A112.18.1 / CSA B125.1
NSF 61 - Section 9
NSF 372 (Low Lead Content)
ANSI A117.1 (ADA)