

T&S BRASS AND BRONZE WORKS, INC.

2 Saddleback Cove / P.O. Box 1088
Travelers Rest, SC 29690

Model No.

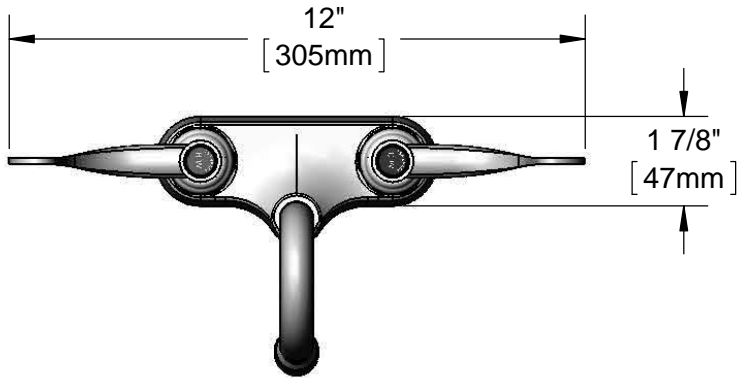
B-0892-WA

Item No.

Travelers Rest, SC: 800-476-4103 • Simi Valley, CA: 800-423-0150 • Fax: 864-834-3518 • www.tsbrass.com



ADA Compliant



This Space for Architect/Engineer Approval

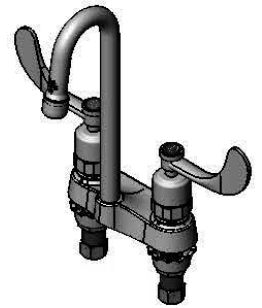
Job Name _____ Date _____

Model Specified _____ Quantity _____

Customer/Wholesaler _____

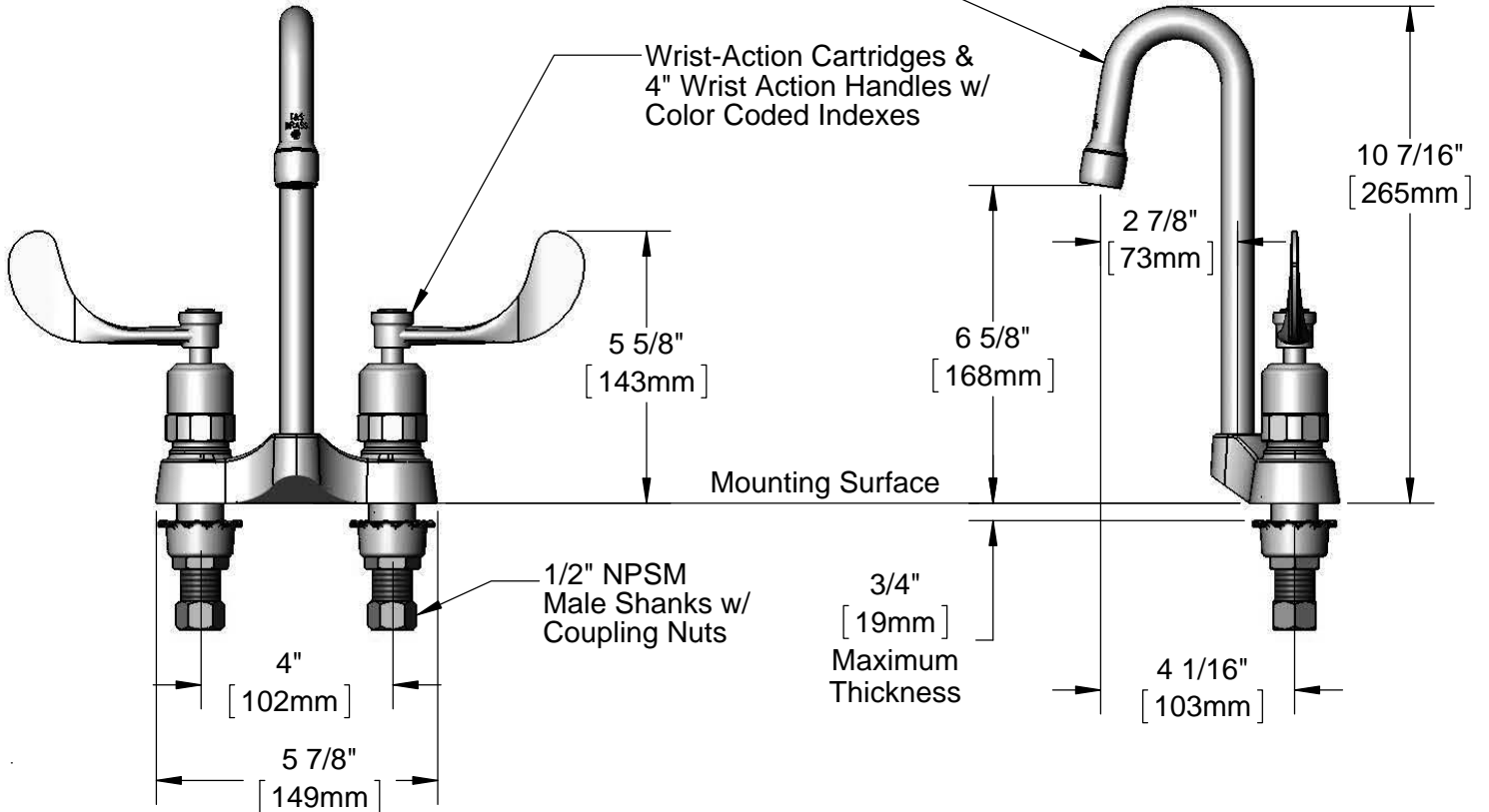
Contractor _____

Architect/Engineer _____



Rigid Gooseneck w/
2.2 GPM Aerator

Wrist-Action Cartridges &
4" Wrist Action Handles w/
Color Coded Indexes



Mounting Surface

1/2" NPSM
Male Shanks w/
Coupling Nuts

3/4"
[19mm]
Maximum
Thickness

Rough-In Requirement:
(2) ϕ 1 1/8" [29mm] Mounting Holes

Product Specifications:
4" Centerset Mixing Faucet w/ 1/2" NPSM Male Shanks,
Wrist-Action Cartridges, 4" Wrist Action Handles,
Rigid Gooseneck w/ 2.2 GPM Aerator

Drawn

KJG

Checked

JRM

Approved

JHB

Scale:

1:4

Date:

09/20/12

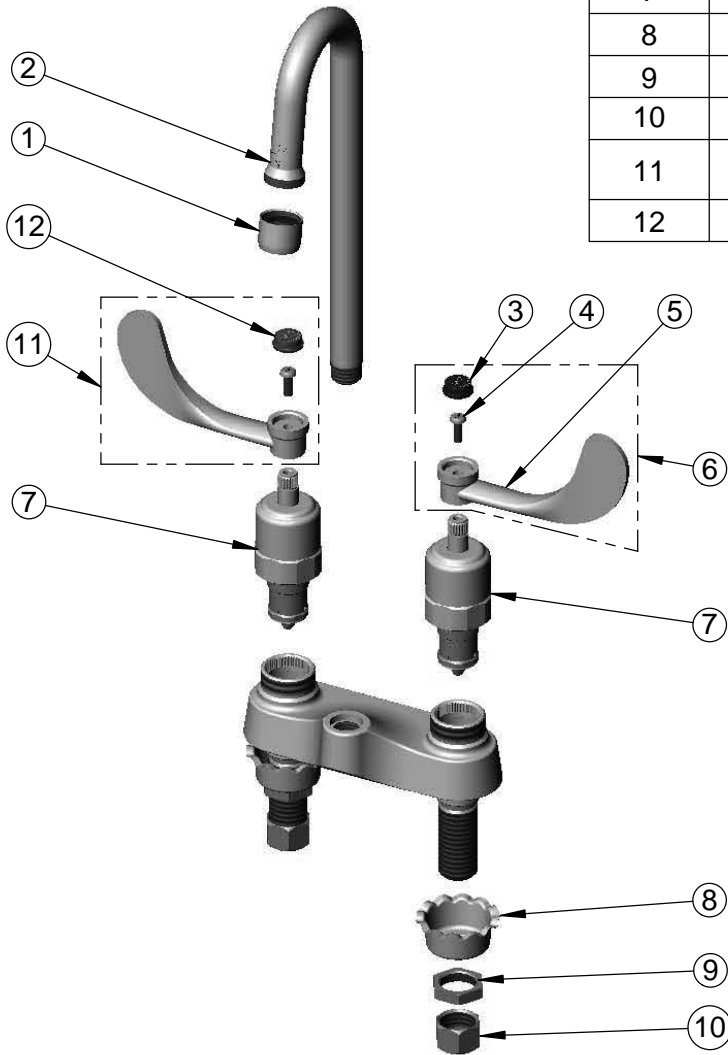


T&S BRASS AND BRONZE WORKS, INC.
 2 Saddleback Cove / P.O. Box 1088
 Travelers Rest, SC 29690

Model No.
B-0892-WA
 Item No.

Travelers Rest, SC: 800-476-4103 • Simi Valley, CA: 800-423-0150 • Fax: 864-834-3518 • www.tsbrass.com

ITEM NO.	SALES NO.	DESCRIPTION
1	B-0199-01	2.2 GPM Aerator, 55/64"-27UN Female
2	005028-40	Gooseneck
3	001686-45	Blue CW Index
4	000925-45	Lab Handle Screw
5	B-WH4	4" Wrist Action Handle
6	B-WH4C	4" Wrist Action Handle, Screw & Cold Index
7	012449-40	Wrist-Action Metering Cartridge
8	001000-45	Rosette Washer
9	002954-45	Shank Lock Nut
10	000958-20	Coupling Nut
11	B-WH4H	4" Wrist Action Handle, Screw & Hot Index
12	001194-45	Red HW Index



Product Specifications:
 4" Centerset Mixing Faucet w/ 1/2" NPSM Male Shanks,
 Wrist-Action Cartridges, 4" Wrist Action Handles,
 Rigid Gooseneck w/ 2.2 GPM Aerator

Drawn KJG	Checked JRM	Approved JHB
Scale: NTS		Date: 09/20/12