



# T&S BRASS AND BRONZE WORKS, INC.

2 Saddleback Cove / P.O. Box 1088  
Travelers Rest, SC 29690



REG. #A2601  
ISO #9001

Model No.

B-0893-414

Item No.

Travelers Rest, SC: 800-476-4103 Simi Valley, CA: 800-423-0150 Fax: 864-834-3518 www.tsbrass.com

This Space for Architect/Engineer Approval

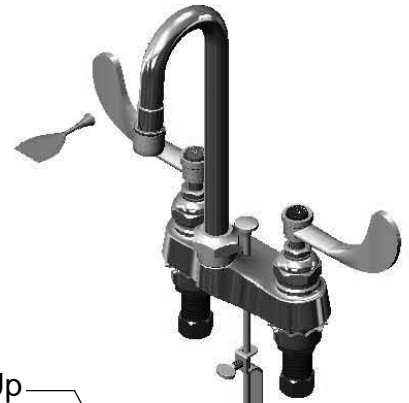
Job Name \_\_\_\_\_ Date \_\_\_\_\_

Model Specified \_\_\_\_\_ Quantity \_\_\_\_\_

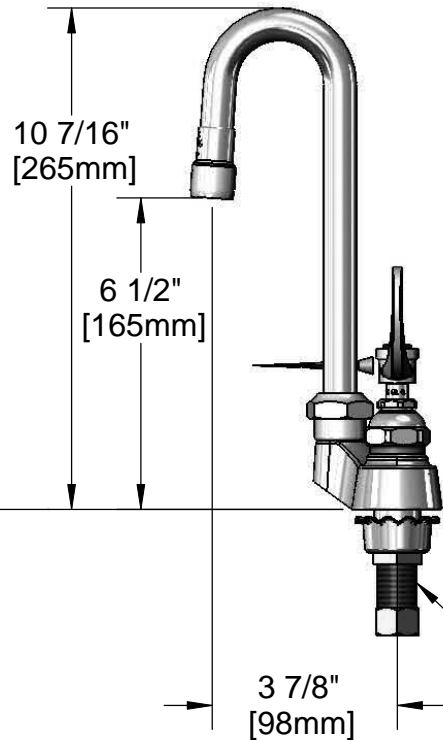
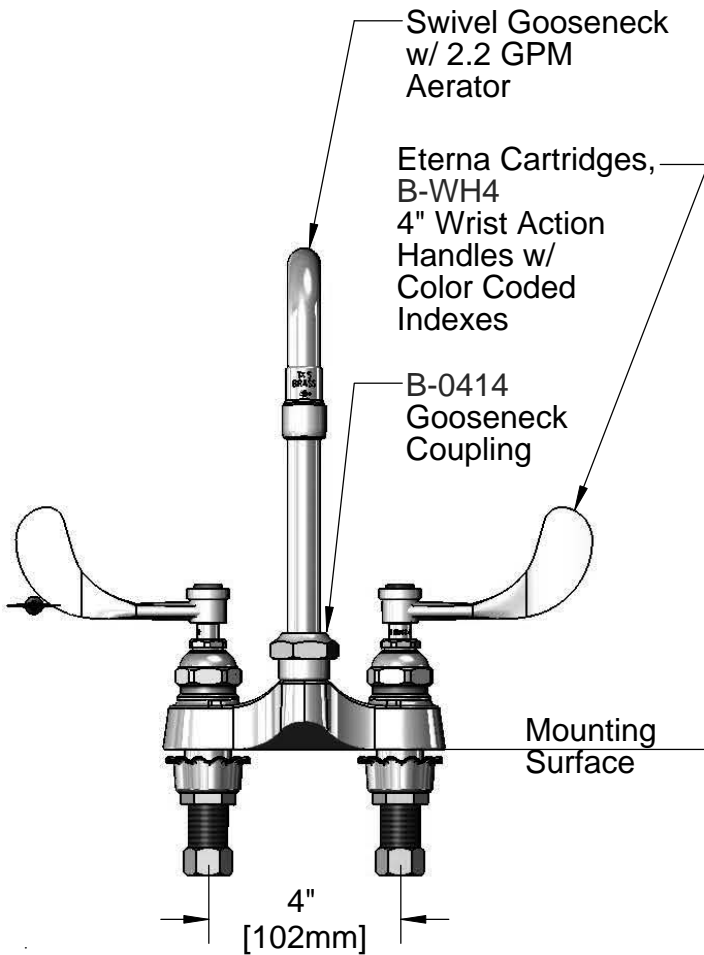
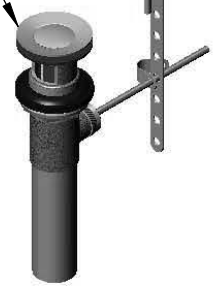
Customer/Wholesaler \_\_\_\_\_

Contractor \_\_\_\_\_

Architect/Engineer \_\_\_\_\_



Furnished w/ Pop-Up Drain Assembly



Rough-In Requirements:  
(2)  $\varnothing$  1-1/8" [29mm] Mounting Holes

Product Specifications:

4" Centerset Mixing Faucet w/ 1/2" NPSM Male Shanks, Eterna Cartridges, 4" Wrist Action Handles, Swivel Gooseneck, 2.2 GPM Aerator, Gooseneck Coupling & Pop-Up Drain

Drawn KJG	Checked DMH	Approved JHB
Scale: 1:4		Date: 11/05/10



**T&S BRASS AND BRONZE WORKS, INC.**

2 Saddleback Cove / P.O. Box 1088  
Travelers Rest, SC 29690

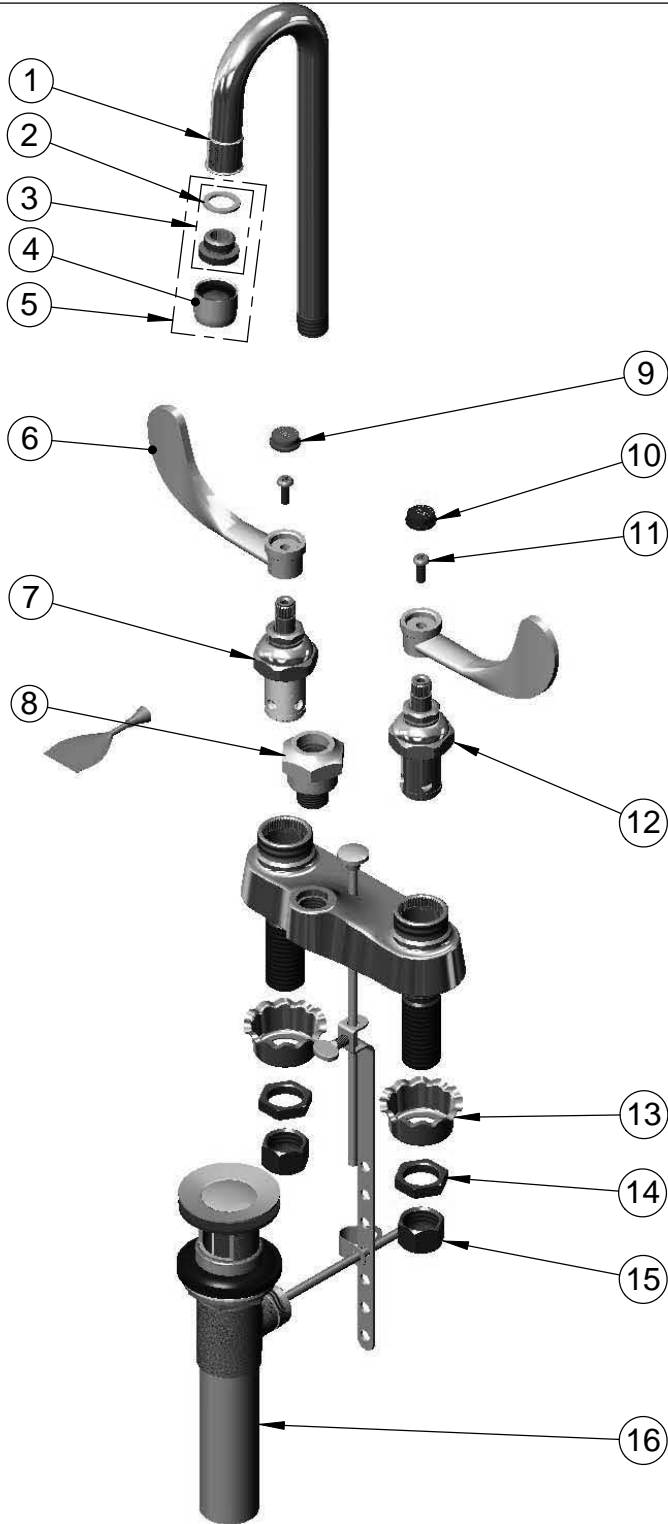


REG. #A2601  
ISO #9001

Model No.  
**B-0893-414**

Item No.

Travelers Rest, SC: 800-476-4103 Simi Valley, CA: 800-423-0150 Fax: 864-834-3518 www.tsbrass.com



ITEM NO.	SALES NO.	DESCRIPTION
1	000393-40	Rigid Gooseneck
2	001043-45	Washer
3	044A	3/8" to Aerator Adapter
4	B-0199-01	2.2 GPM Aerator, Female
5	B-0199-02	Aerator, 2.2 GPM, 3/8" NPSM
6	B-WH4	4" Wrist Action Handle
7	006010-40	Hot Spindle Assembly
8	B-0414	Gooseneck Coupling
9	001194-45	Red HW Index
10	001686-45	Blue CW Index
11	000925-45	Lab Handle Screw
12	006009-40	Cold Spindle Assembly
13	001000-45	Rosette Washer
14	002954-45	Shank Lock Nut
15	000958-20	Coupling Nut
16	B-0898	Pop-Up
41	011677-45	Loctite 680

Product Specifications:

4" Centerset Mixing Faucet w/ 1/2" NSPM Male Shanks, Eterna Cartridges, 4" Wrist Action Handles, Swivel Gooseneck, 2.2 GPM Aerator, Gooseneck Coupling & Pop-Up Drain

Drawn <b>KJG</b>	Checked <b>DMH</b>	Approved <b>JHB</b>
Scale: <b>NTS</b>		Date: <b>11/05/10</b>