



T&S BRASS AND BRONZE WORKS, INC.

2 Saddleback Cove / P.O. Box 1088
Travelers Rest, SC 29690

Model No.

B-0893

Item No.

Travelers Rest, SC: 800-476-4103 • Simi Valley, CA: 800-423-0150 • Fax: 864-834-3518 • www.tsbrass.com



ADA Compliant

This Space for Architect/Engineer Approval

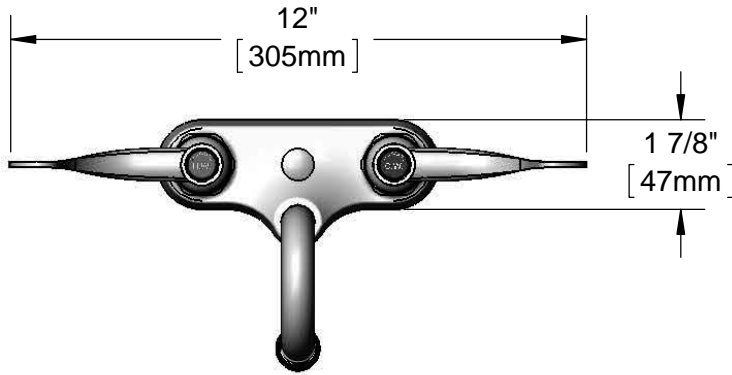
Job Name _____ Date _____

Model Specified _____ Quantity _____

Customer/Wholesaler _____

Contractor _____

Architect/Engineer _____

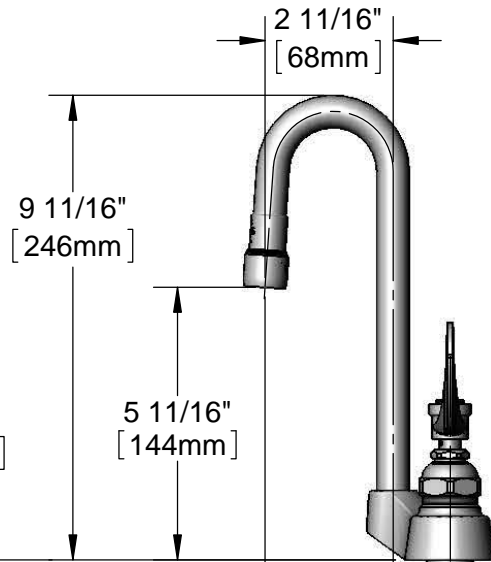
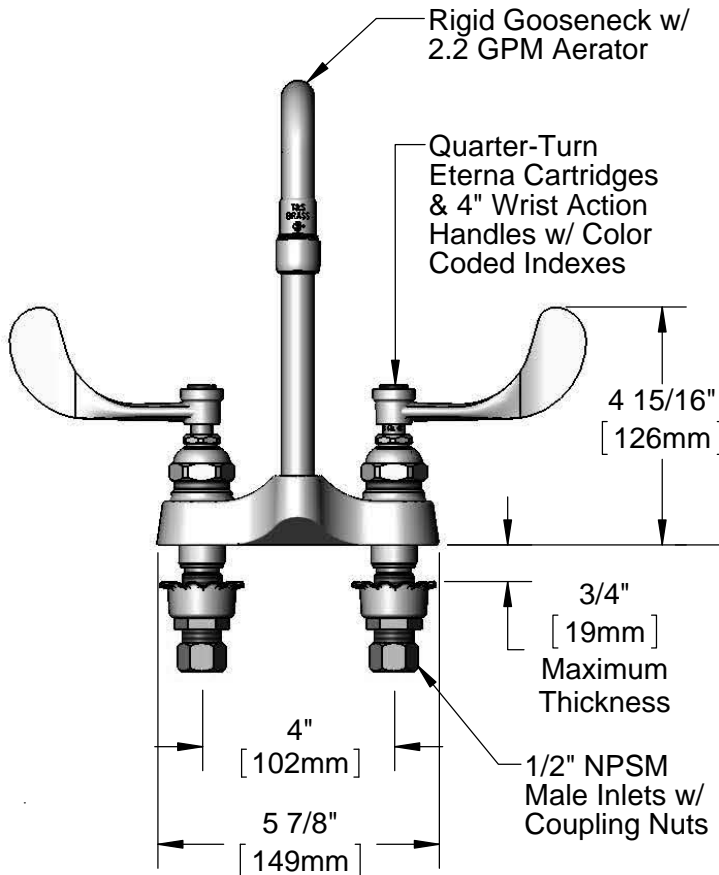


Pop-Up Drain
(Included)



Rigid Gooseneck w/
2.2 GPM Aerator

Quarter-Turn
Eterna Cartridges
& 4" Wrist Action
Handles w/ Color
Coded Indexes



Mounting
Surface

3/4"
[19mm]
Maximum
Thickness

1/2" NPSM
Male Inlets w/
Coupling Nuts

3 7/8"
[98mm]

Rough-In Requirement:
(2) ϕ 1 1/8" [29mm] Mounting Holes

Product Specifications:
4" Centerset Deck Mount Mixing Faucet, Quarter-Turn Eterna Cartridges,
4" Wrist Action Handles, Rigid Gooseneck w/ 2.2 GPM Aerator, Pop-Up
Drain & 1/2" NSPM Male Inlets w/ Coupling Nuts

Product Compliance:
ASME A112.18.1 / CSA B125.1
NSF 61 - Section 9
NSF 372 (Low Lead Content)
ANSI A117.1 (ADA)



T&S BRASS AND BRONZE WORKS, INC.

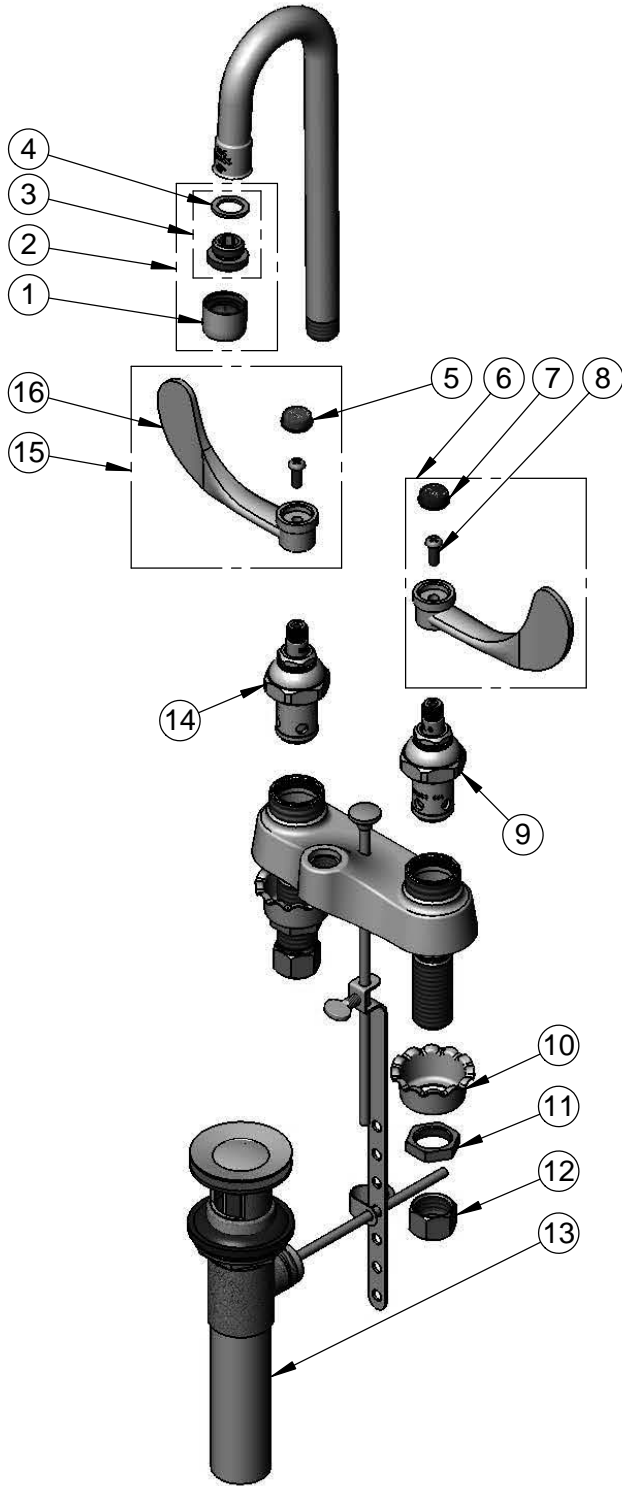
2 Saddleback Cove / P.O. Box 1088
Travelers Rest, SC 29690

Model No.

B-0893

Item No.

Travelers Rest, SC: 800-476-4103 • Simi Valley, CA: 800-423-0150 • Fax: 864-834-3518 • www.tsbrass.com



ITEM NO.	SALES NO.	DESCRIPTION
1	B-0199-01	2.2 GPM Aerator, 55/64"-27 UN Female
2	B-0199-02	2.2 GPM Aerator, 3/8" NPSM Male
3	044A	3/8" to Aerator Adapter
4	001043-45	Washer
5	001194-45	Red Index - HW
6	B-WH4C	4" Wrist Action Handle, Screw & Cold Index
7	001686-45	Blue Index - CW
8	000925-45	Lab Handle Screw
9	006009-40	Quarter-Turn Eterna Cartridge, LTC (Teflon)
10	001000-45	Rosette Washer
11	002954-45	Shank Lock Nut
12	000958-20	Coupling Nut
13	B-0898	Pop-Up Drain
14	006010-40	Quarter-Turn Eterna Cartridge, RTC (Teflon)
15	B-WH4H	4" Wrist Action Handle, Screw & Hot Index
16	B-WH4	4" Wrist Action Handle

Product Specifications:

4" Centerset Deck Mount Mixing Faucet, Quarter-Turn Eterna Cartridges, 4" Wrist Action Handles, Rigid Gooseneck w/ 2.2 GPM Aerator, Pop-Up Drain & 1/2" NSPM Male Inlets w/ Coupling Nuts

Product Compliance:

ASME A112.18.1 / CSA B125.1
NSF 61 - Section 9
NSF 372 (Low Lead Content)
ANSI A117.1 (ADA)