



# T&S BRASS AND BRONZE WORKS, INC.

2 Saddleback Cove / P.O. Box 1088  
Travelers Rest, SC 29690



REG. #A2601  
ISO #9001

Model No.  
**B-0896**

Item No.

Travelers Rest, SC: 800-476-4103 Simi Valley, CA: 800-423-0150 Fax: 864-834-3518 www.tsbrass.com

This Space for Architect/Engineer Approval

Job Name \_\_\_\_\_ Date \_\_\_\_\_

Model Specified \_\_\_\_\_ Quantity \_\_\_\_\_

Customer/Wholesaler \_\_\_\_\_

Contractor \_\_\_\_\_

Architect/Engineer \_\_\_\_\_

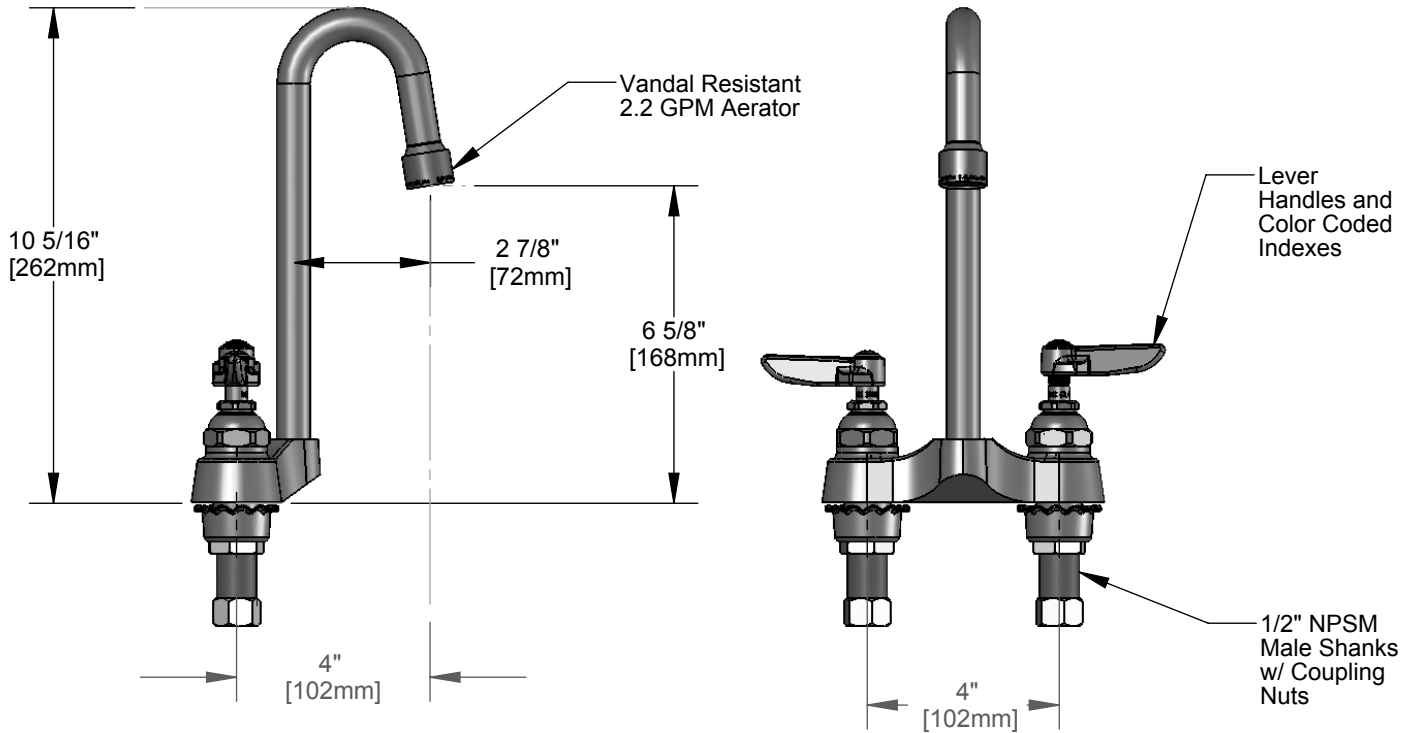
Variations or Applicable Options:  
-WH6 6" Wrist Action Handles  
-177F Lever Handles  
-175F 4-Arm Kitchen Handles



ADA COMPLIANT



Furnished w/  
Vandal Resistant  
Aerator Key



Product Specifications:

**4" Centerset Mixing Faucet w/ 1/2" NPSM Male Shanks, Eterna Cartridges, Lever Handles, Rigid Gooseneck and Vandal Resistant 2.2 GPM Aerator**

Drawn  
BHR

Checked  
DHL

Approved  
JHB

Scale:

1:4

Date:

7/11/07



**T&S BRASS AND BRONZE WORKS, INC.**

2 Saddleback Cove / P.O. Box 1088  
Travelers Rest, SC 29690



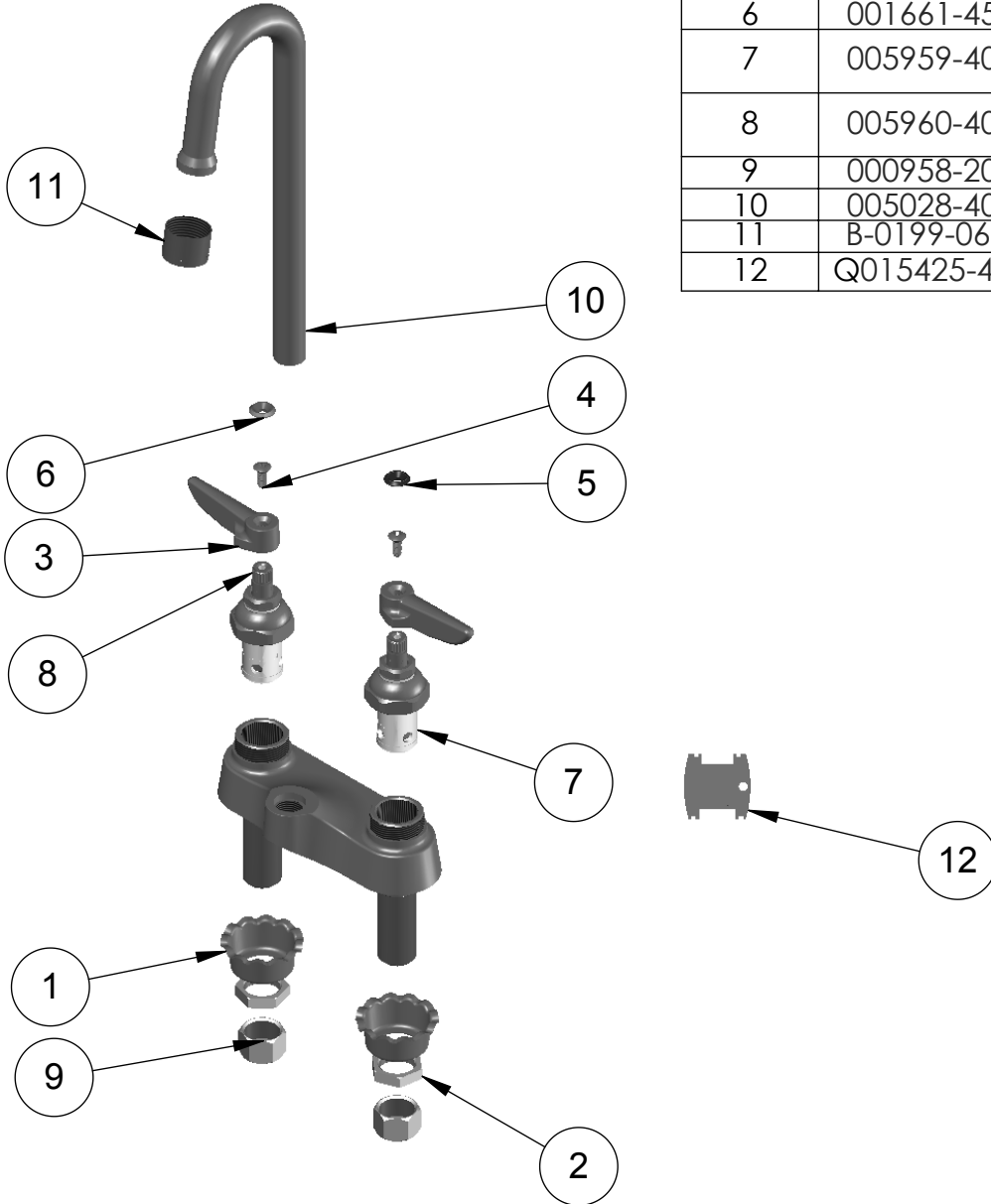
REG. #A2601  
ISO #9001

Model No.  
**B-0896**

Item No.

Travelers Rest, SC: 800-476-4103 Simi Valley, CA: 800-423-0150 Fax: 864-834-3518 www.tsbrass.com

ITEM NO.	SALES NO.	DESCRIPTION
1	001000-45	Rosette Washer
2	002954-45	Shank Lock Nut
3	177F	Lever Handle
4	000922-45	Lever Handle Screw
5	001660-45	Blue Index-CW
6	001661-45	Red Index-HW
7	005959-40	Eterna Spindle Asm, Cold
8	005960-40	Eterna Spindle Asm, Hot
9	000958-20	Coupling Nut
10	005028-40	Gooseneck
11	B-0199-06	VR Aerator w/ Key
12	Q015425-45	Vandal Resistant Key



Product Specifications:

4" Centerset Mixing Faucet w/ 1/2" NPSM Male Shanks, Eterna Cartridges, Lever Handles, Rigid Gooseneck and Vandal Resistant 2.2 GPM Aerator

Drawn <b>BHR</b>	Checked <b>DHL</b>	Approved <b>JHB</b>
Scale: <b>1:4</b>		Date: <b>7/11/07</b>