



**T&S BRASS AND BRONZE WORKS, INC.**  
 2 Saddleback Cove / P.O. Box 1088  
 Travelers Rest, SC 29690

Model No.  
**B-0929-A**

Item No.

Travelers Rest, SC: 800-476-4103 • Simi Valley, CA: 800-423-0150 • Fax: 864-834-3518 • www.tsbrass.com

This Space for Architect/Engineer Approval

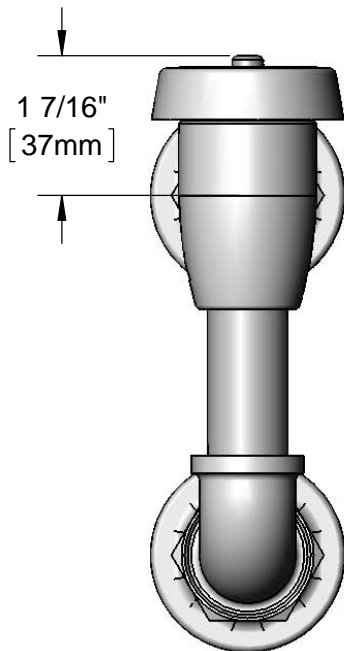
Job Name \_\_\_\_\_ Date \_\_\_\_\_

Model Specified \_\_\_\_\_ Quantity \_\_\_\_\_

Customer/Wholesaler \_\_\_\_\_

Contractor \_\_\_\_\_

Architect/Engineer \_\_\_\_\_



B-0969  
 1/2" NPT  
 Vacuum  
 Breaker

Mounting Surface →

3 5/8"  
 [92mm]

Ø 2" [51mm]  
 Flange w/  
 1/2" NPT  
 Female Outlet

3 3/4"  
 [95mm]

Ø 2" [51mm]  
 Flange w/  
 1/2" NPT  
 Female Inlet

Product Specifications:  
 1/2" NPT Atmospheric Vacuum Breaker, 1/2" NPT Inlet & Outlet,  
 Polished Chrome

Product Compliance:  
 ASME A112.18.1 / CSA B125.1  
 NSF 61 - Section 9  
 NSF 372 (Low Lead Content)  
 ASSE 1001 (VB)



**T&S BRASS AND BRONZE WORKS, INC.**

2 Saddleback Cove / P.O. Box 1088  
Travelers Rest, SC 29690

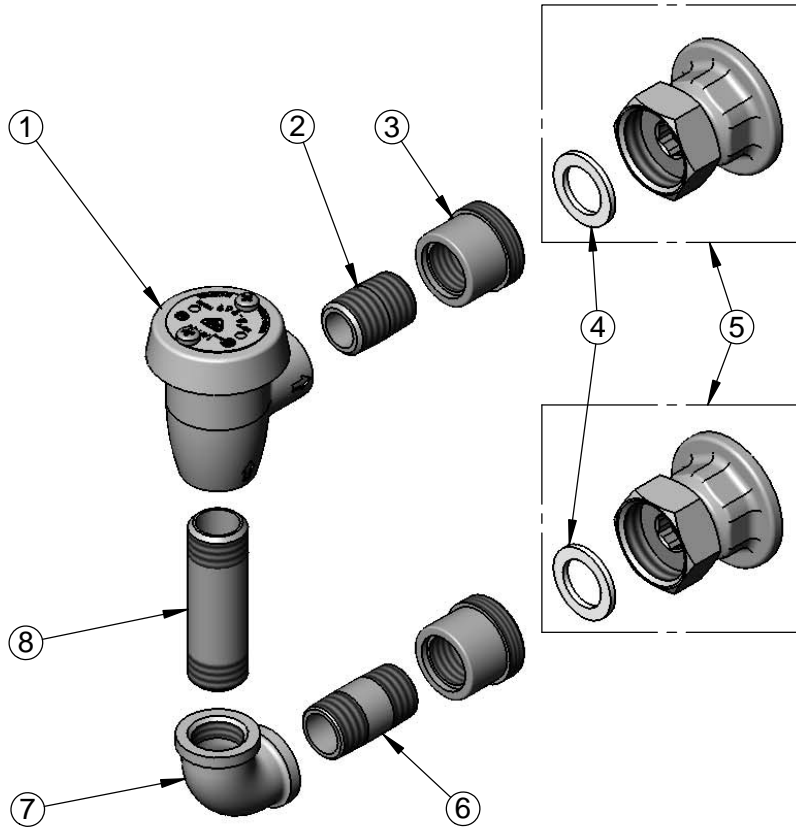
Model No.

**B-0929-A**

Item No.

Travelers Rest, SC: 800-476-4103 • Simi Valley, CA: 800-423-0150 • Fax: 864-834-3518 • www.tsbrass.com

ITEM NO.	SALES NO.	DESCRIPTION
1	B-0969	1/2" NPT Vacuum Breaker
2	002534-25	Close Nipple, 1/2" NPT
3	000870-40	Union, Male Half
4	001019-45	Coupling Nut Washer
5	00AA	1/2" NPT Eccentric Female Flange
6	001509-40	Nipple, 1/2" NPT x 1 1/2"
7	001357-40	1/2" NPT Elbow
8	001510-40	Nipple, 1/2" NPT x 2 5/8"



Product Specifications:  
1/2" NPT Atmospheric Vacuum Breaker, 1/2" NPT Inlet & Outlet,  
Polished Chrome

Product Compliance:  
ASME A112.18.1 / CSA B125.1  
NSF 61 - Section 9  
NSF 372 (Low Lead Content)  
ASSE 1001 (VB)