



**T&S BRASS AND BRONZE WORKS, INC.**  
 2 Saddleback Cove / P.O. Box 1088  
 Travelers Rest, SC 29690

Model No.  
**B-1110-LN**

Item No.

Travelers Rest, SC: 800-476-4103 • Simi Valley, CA: 800-423-0150 • Fax: 864-834-3518 • www.tsbrass.com



**ADA Compliant**

This Space for Architect/Engineer Approval

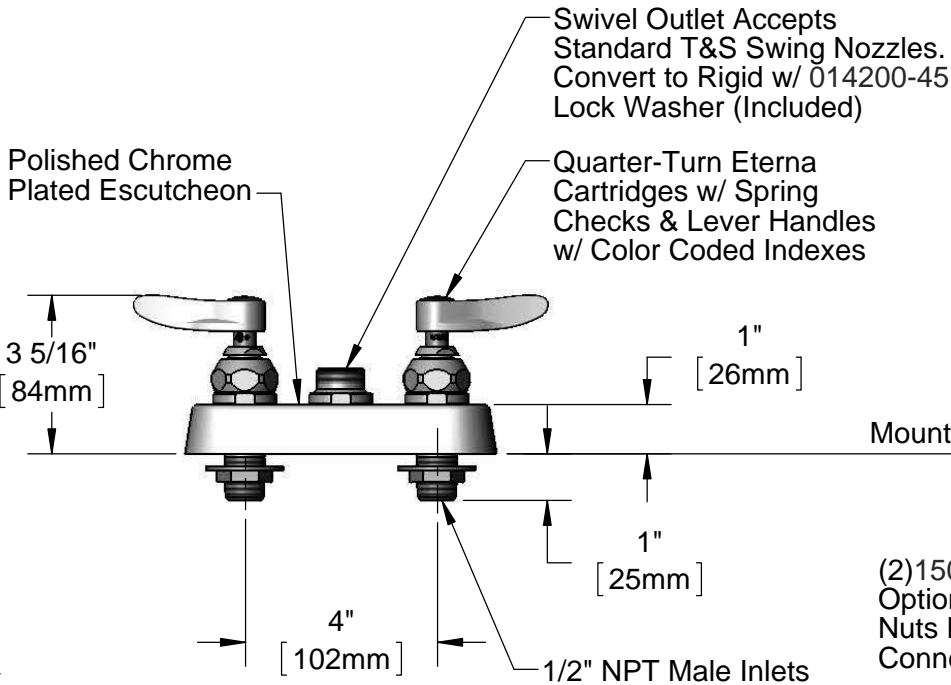
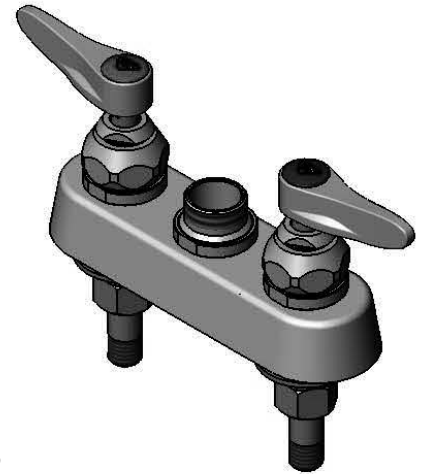
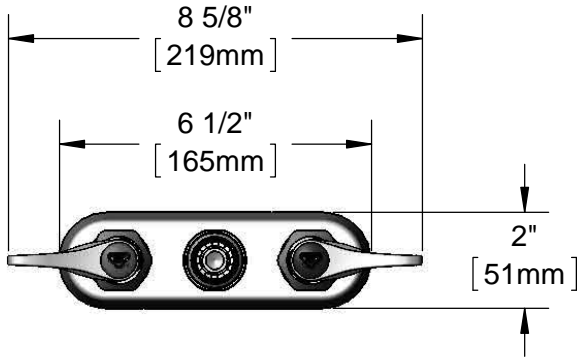
Job Name \_\_\_\_\_ Date \_\_\_\_\_

Model Specified \_\_\_\_\_ Quantity \_\_\_\_\_

Customer/Wholesaler \_\_\_\_\_

Contractor \_\_\_\_\_

Architect/Engineer \_\_\_\_\_



Mounting Surface

(2) 150A  
 Optional Tailpieces &  
 Nuts For 1/4" NPT  
 Connection (Included)

1/4"  
 [6mm]  
 Maximum  
 Thickness

**Rough-In Requirement:**  
 (2)  $\varnothing$  1" [25mm] Mounting Holes

**Product Specifications:**  
 4" Deck Mount Workboard Faucet, Less Nozzle, Quarter-Turn Eterna Cartridges w/ Spring Checks, Lever Handles & 1/2" NPT Male Inlets

**Product Compliance:**  
 ASME A112.18.1 / CSA B125.1  
 NSF 61 - Section 9  
 NSF 372 (Low Lead Content)  
 ANSI A117.1 (ADA)



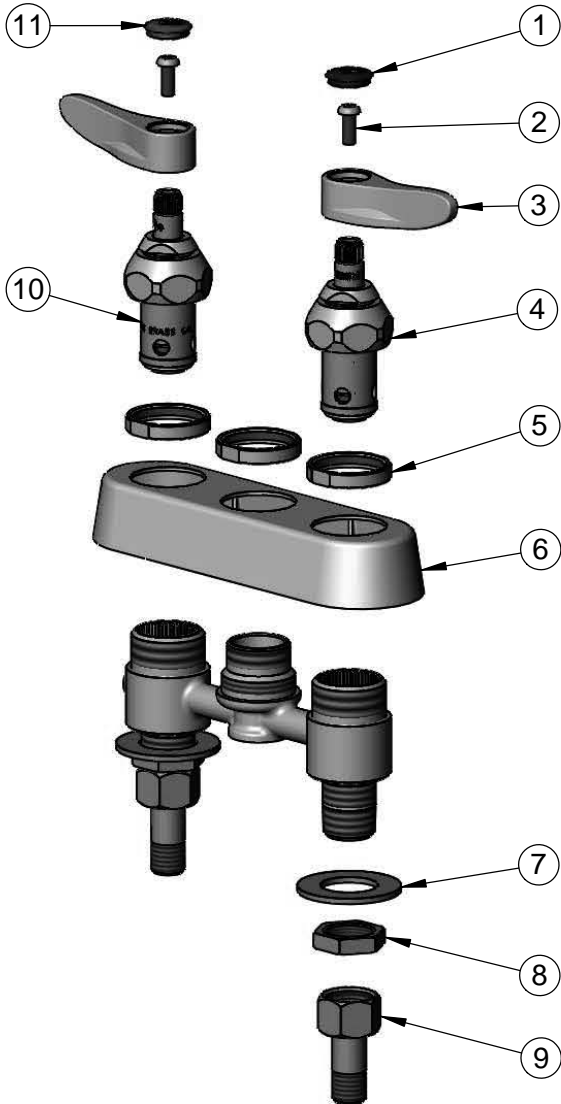
**T&S BRASS AND BRONZE WORKS, INC.**  
 2 Saddleback Cove / P.O. Box 1088  
 Travelers Rest, SC 29690

Model No.  
**B-1110-LN**

Item No.

Travelers Rest, SC: 800-476-4103 • Simi Valley, CA: 800-423-0150 • Fax: 864-834-3518 • www.tsbrass.com

ITEM NO.	SALES NO.	DESCRIPTION
1	019363-45	Blue Button Index, Press-in
2	000925-45	Lab Handle Screw
3	019361-45	Lever Handle (New Style)
4	019382-40	Quarter-Turn New Style Eterna Cartridge w/ Spring Check, LTC
5	019376-40	Escutcheon Lock Nut
6	019374-40	B-1110 Eterna Workboard Escutcheon
7	000999-45	Brass Lock Washer
8	002954-45	Shank Lock Nut
9	150A	1/4" NPT Tailpiece & Nut
10	019383-40	Quarter-Turn New Style Eterna Cartridge w/ Spring Check, RTC
11	019364-45	Red Button Index, Press-in



014200-45  
 Lock Washer  
 Converts Swivel to Rigid

Product Specifications:  
 4" Deck Mount Workboard Faucet, Less Nozzle, Quarter-Turn Eterna Cartridges w/ Spring Checks, Lever Handles & 1/2" NPT Male Inlets

Product Compliance:  
 ASME A112.18.1 / CSA B125.1  
 NSF 61 - Section 9  
 NSF 372 (Low Lead Content)  
 ANSI A117.1 (ADA)