



**T&S BRASS AND BRONZE WORKS, INC.**  
 2 Saddleback Cove / P.O. Box 1088  
 Travelers Rest, SC 29690

Model No.  
**B-1120-LN**

Item No.

Travelers Rest, SC: 800-476-4103 • Simi Valley, CA: 800-423-0150 • Fax: 864-834-3518 • www.tsbrass.com



**ADA Compliant**

This Space for Architect/Engineer Approval

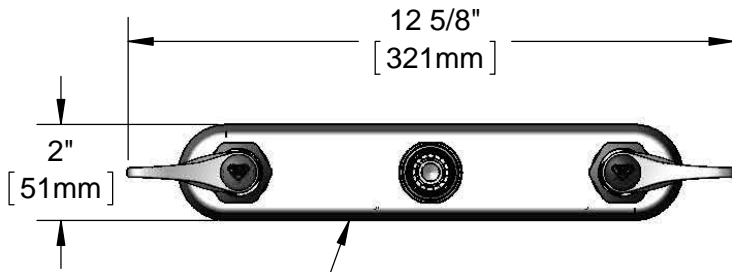
Job Name \_\_\_\_\_ Date \_\_\_\_\_

Model Specified \_\_\_\_\_ Quantity \_\_\_\_\_

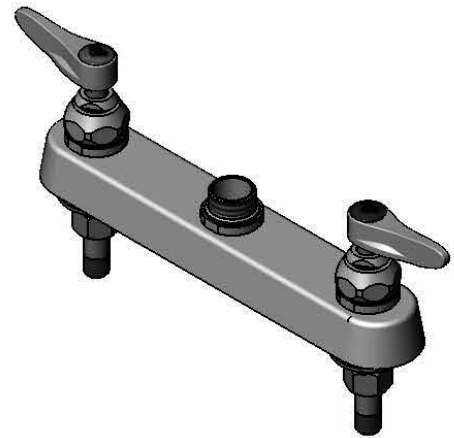
Customer/Wholesaler \_\_\_\_\_

Contractor \_\_\_\_\_

Architect/Engineer \_\_\_\_\_

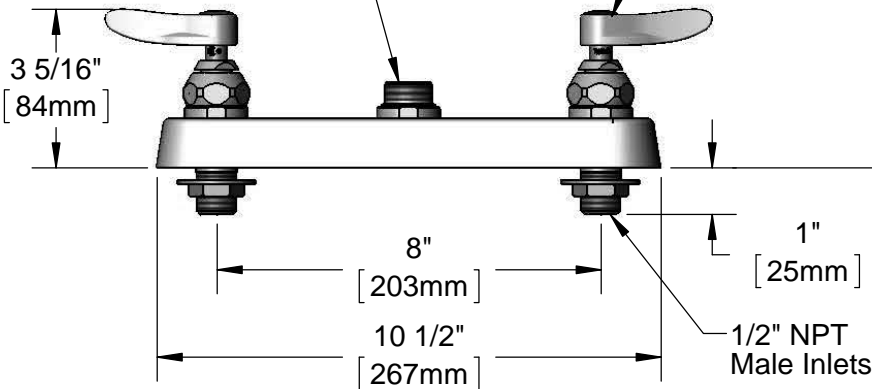


Polished Chrome  
Plated Escutcheon



Swivel Outlet Accepts  
Standard T&S Swing  
Nozzles. Converts to  
Rigid w/ 014200-45  
Lock Washer (Included)

Quarter-Turn Eterna  
Cartridges w/ Spring  
Checks & Lever Handles  
w/ Color Coded Indexes



Mounting  
Surface

(2) 150A  
Optional Tailpieces &  
Nuts for 1/4" NPT  
Connection (Included)

1/4"  
[6mm]  
Maximum  
Thickness

**Rough-In Requirement:**  
 (2)  $\varnothing$ 1" [25mm] Mounting Holes

**Product Specifications:**  
 8" Deck Mount Workboard Faucet Less Nozzle, Quarter-Turn Eterna  
 Cartridges w/ Spring Checks, Lever Handles & 1/2" NPT Male Inlets

**Product Compliance:**  
 ASME A112.18.1 / CSA B125.1  
 NSF 61 - Section 9  
 NSF 372 (Low Lead Content)  
 ANSI A117.1 (ADA)



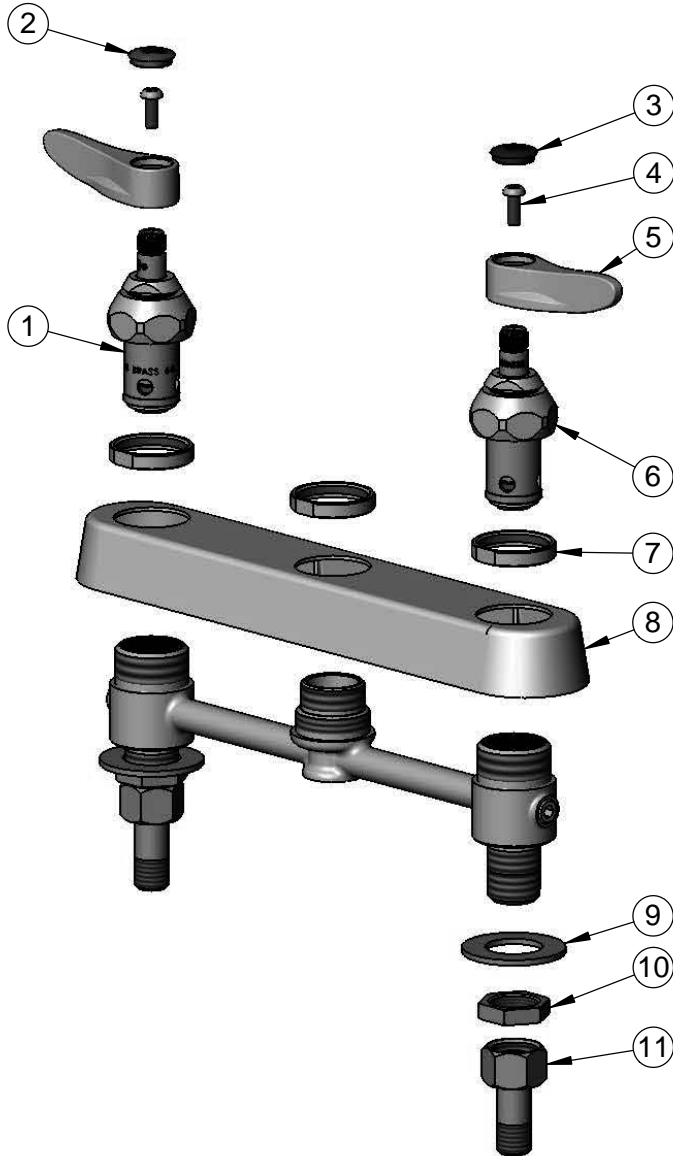
**T&S BRASS AND BRONZE WORKS, INC.**  
 2 Saddleback Cove / P.O. Box 1088  
 Travelers Rest, SC 29690

Model No.  
**B-1120-LN**

Item No.

Travelers Rest, SC: 800-476-4103 • Simi Valley, CA: 800-423-0150 • Fax: 864-834-3518 • www.tsbrass.com

ITEM NO.	SALES NO.	DESCRIPTION
1	019383-40	Quarter-Turn New Style Eterna Cartridge w/ Spring Check, RTC
2	019364-45	Red Button Index, Press-in
3	019363-45	Blue Button Index, Press-in
4	000925-45	Lab Handle Screw
5	019361-45	Lever Handle (New Style)
6	019382-40	Quarter-Turn New Style Eterna Cartridge w/ Spring Check, LTC
7	019376-40	Escutcheon Lock Nut
8	019375-40	B-1120 Eterna Workboard Escutcheon
9	000999-45	Brass Lock Washer
10	002954-45	Shank Lock Nut
11	150A	1/4" NPT Tailpiece & Nut



Product Specifications:  
 8" Deck Mount Workboard Faucet Less Nozzle, Quarter-Turn Eterna Cartridges w/ Spring Checks, Lever Handles & 1/2" NPT Male Inlets

Product Compliance:  
 ASME A112.18.1 / CSA B125.1  
 NSF 61 - Section 9  
 NSF 372 (Low Lead Content)  
 ANSI A117.1 (ADA)