



T&S BRASS AND BRONZE WORKS, INC.

2 Saddleback Cove / P.O. Box 1088
Travelers Rest, SC 29690

Model No.

B-1125-LN

Item No.

Travelers Rest, SC: 800-476-4103 • Simi Valley, CA: 800-423-0150 • Fax: 864-834-3518 • www.tsbrass.com



ADA Compliant

This Space for Architect/Engineer Approval

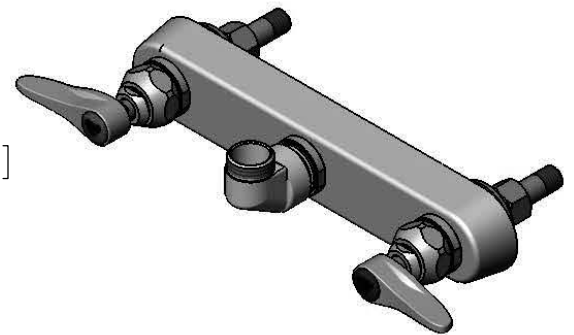
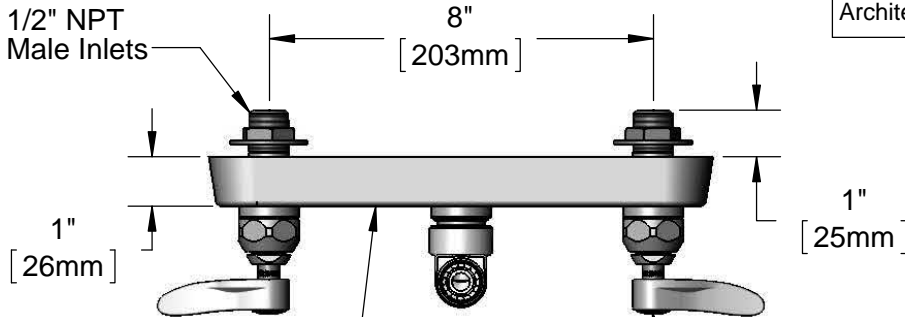
Job Name _____ Date _____

Model Specified _____ Quantity _____

Customer/Wholesaler _____

Contractor _____

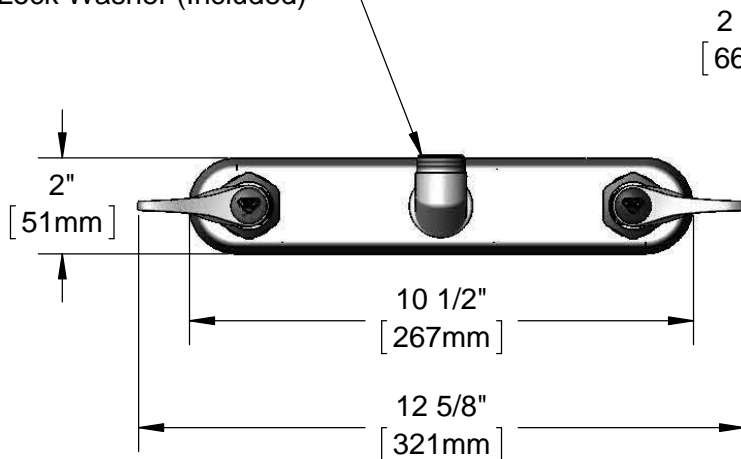
Architect/Engineer _____



Polished Chrome Plated Escutcheon

Quarter-Turn Eterna Cartridges w/ Spring Checks & Lever Handles w/ Color Coded Indexes

Swivel Outlet Accepts Standard T&S Swing Nozzles. Converts to Rigid w/ 014200-45 Lock Washer (Included)



2 5/8" [66mm]

(2) 150A Optional Tailpieces & Nuts for 1/4" NPT Connection (Included)

1/4" [6mm] Maximum Thickness

Mounting Surface

Rough-In Requirement:
(2) ϕ 1" [25mm] Mounting Holes

Product Specifications:
8" Wall Mount Workboard Faucet Less Nozzle, Quarter-Turn Eterna Cartridges w/ Spring Checks, Lever Handles & 1/2" NPT Male Inlets

Product Compliance:
ASME A112.18.1 / CSA B125.1
NSF 61 - Section 9
NSF 372 (Low Lead Content)
ANSI A117.1 (ADA)



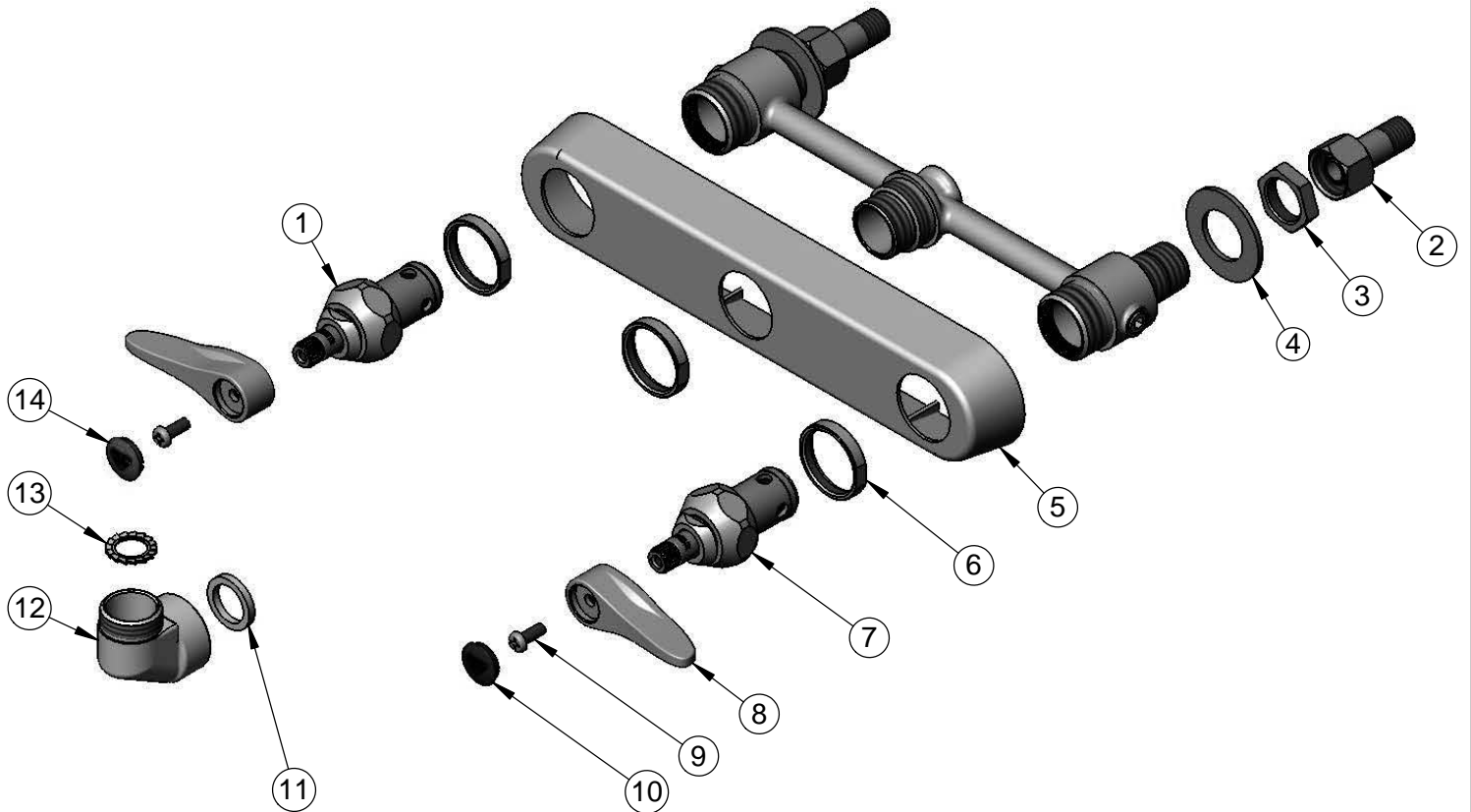
T&S BRASS AND BRONZE WORKS, INC.
 2 Saddleback Cove / P.O. Box 1088
 Travelers Rest, SC 29690

Model No.
B-1125-LN

Item No.

Travelers Rest, SC: 800-476-4103 • Simi Valley, CA: 800-423-0150 • Fax: 864-834-3518 • www.tsbrass.com

ITEM NO.	SALES NO.	DESCRIPTION
1	019382-40	Quarter-Turn New Style Eterna Cartridge w/ Spring Check, LTC
2	150A	1/4" NPT Tailpiece & Nut
3	002954-45	Shank Lock Nut
4	000999-45	Brass Lock Washer
5	019375-40	B-1120 Eterna Workboard Escutcheon
6	019376-40	Escutcheon Lock Nut
7	019383-40	Quarter-Turn New Style Eterna Cartridge w/ Spring Check, RTC
8	019361-45	Lever Handle (New Style)
9	000925-45	Lab Handle Screw
10	019363-45	Blue Button Index, Press-in
11	001017-45	Washer
12	000082-40	B-1100 Knob
13	014200-45	Star Washer, Anti-Rotation
14	019364-45	Red Button Index, Press-in



Product Specifications:
 8" Wall Mount Workboard Faucet Less Nozzle, Quarter-Turn Eterna Cartridges w/ Spring Checks, Lever Handles & 1/2" NPT Male Inlets

Product Compliance:
 ASME A112.18.1 / CSA B125.1
 NSF 61 - Section 9
 NSF 372 (Low Lead Content)
 ANSI A117.1 (ADA)