



# T&S BRASS AND BRONZE WORKS, INC.

2 Saddleback Cove / P.O. Box 1088  
Travelers Rest, SC 29690

Model No.

**B-1131-XS**

Item No.

Travelers Rest, SC: 800-476-4103 • Simi Valley, CA: 800-423-0150 • Fax: 864-834-3518 • www.tsbrass.com



**ADA Compliant**

This Space for Architect/Engineer Approval

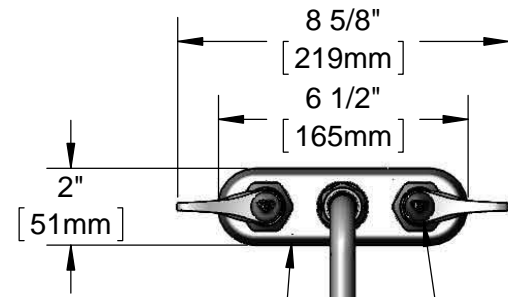
Job Name \_\_\_\_\_ Date \_\_\_\_\_

Model Specified \_\_\_\_\_ Quantity \_\_\_\_\_

Customer/Wholesaler \_\_\_\_\_

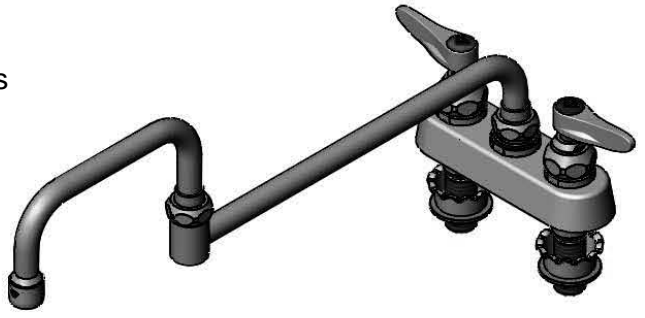
Contractor \_\_\_\_\_

Architect/Engineer \_\_\_\_\_



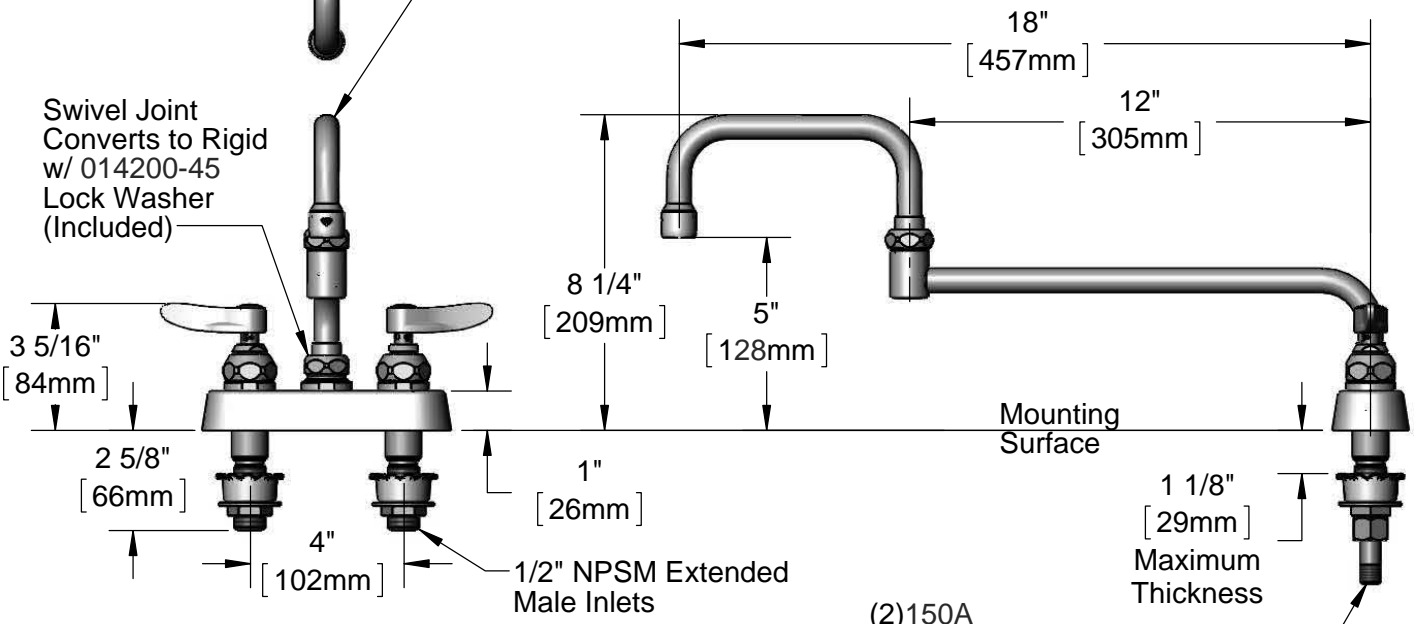
Polished Chrome Plated Escutcheon

Quarter-Turn Eterna Cartridges w/ Spring Checks & Lever Handles w/ Color Coded Indexes



068X-A22  
18" Double Joint Swing  
Nozzle w/ 2.2 GPM Aerator

Swivel Joint  
Converts to Rigid  
w/ 014200-45  
Lock Washer  
(Included)



Rough-In Requirement:  
(2)  $\varnothing$  1" [25mm] Mounting Holes

(2) 150A  
Optional Tailpieces & Nuts For  
1/4" NPT Connection (Included)

Product Specifications:  
4" Deck Mount Workboard Faucet, Quarter-Turn Eterna Cartridges w/ Spring Checks, Lever Handles, 18" Double Joint Swing Nozzle, 2.2 GPM Aerator & 1/2" NPSM Extended Male Inlets

Product Compliance:  
ASME A112.18.1 / CSA B125.1  
NSF 61 - Section 9  
NSF 372 (Low Lead Content)  
ANSI A117.1 (ADA)



# T&S BRASS AND BRONZE WORKS, INC.

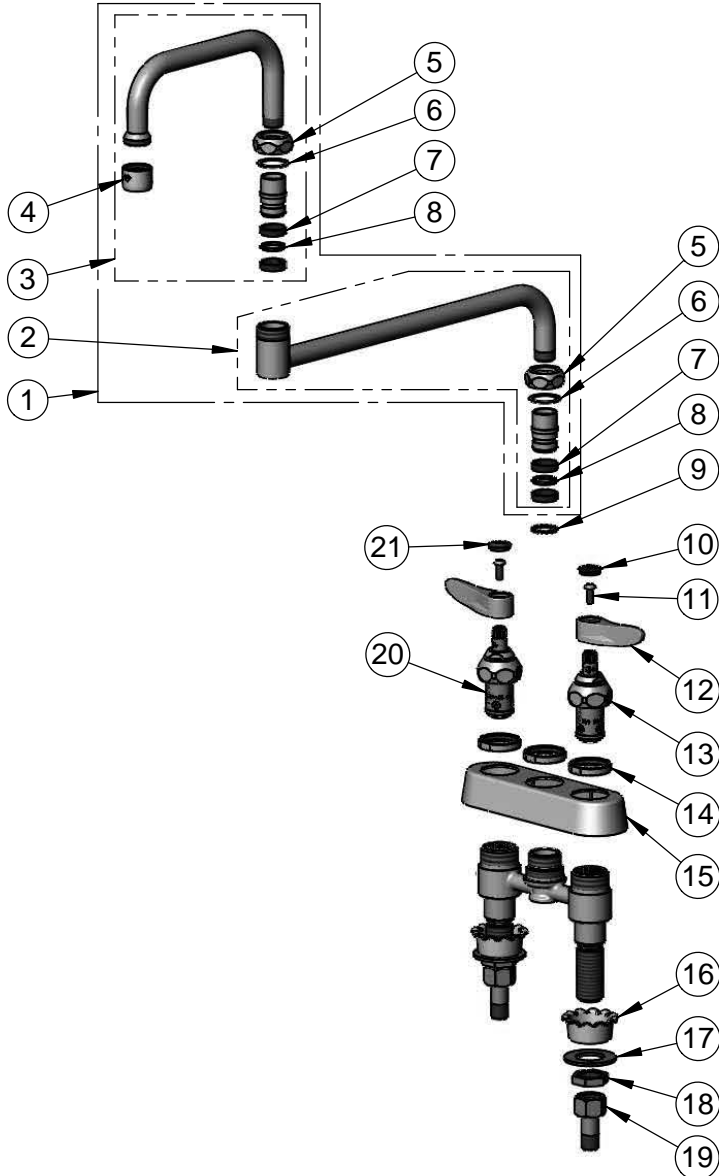
2 Saddleback Cove / P.O. Box 1088  
Travelers Rest, SC 29690

Model No.

**B-1131-XS**

Item No.

Travelers Rest, SC: 800-476-4103 • Simi Valley, CA: 800-423-0150 • Fax: 864-834-3518 • www.tsbrass.com



ITEM NO.	SALES NO.	DESCRIPTION
1	068X-A22	18" Double Joint Swing Nozzle w/ 2.2 GPM Aerator
2	002871-40	12" Back Section (New Style)
3	153X-A22	6" Front Section w/ 2.2 GPM Aerator
4	B-0199-01	2.2 GPM Aerator, 55/64"-27 UN Female
5	019360-40	Swivel Nut (New Style)
6	009538-45	Swivel Washer
7	011429-45	Swivel Sleeves (2)
8	001074-45	O-Ring
9	014200-45	Star Washer, Anti-Rotation
10	019363-45	Blue Button Index, Press-in
11	000925-45	Lab Handle Screw
12	019361-45	Lever Handle (New Style)
13	019382-40	Quarter-Turn New Style Eterna Cartridge w/ Spring Check, LTC
14	019376-40	Escutcheon Lock Nut
15	019374-40	B-1110 Eterna Workboard Escutcheon
16	001000-45	Rosette Washer
17	000999-45	Brass Lock Washer
18	002954-45	Shank Lock Nut
19	150A	1/4" NPT Tailpiece & Nut
20	019383-40	Quarter-Turn New Style Eterna Cartridge w/ Spring Check, RTC
21	019364-45	Red Button Index, Press-in

**Product Specifications:**

4" Deck Mount Workboard Faucet, Quarter-Turn Eterna Cartridges w/ Spring Checks, Lever Handles, 18" Double Joint Swing Nozzle, 2.2 GPM Aerator & 1/2" NPSM Extended Male Inlets

**Product Compliance:**

ASME A112.18.1 / CSA B125.1  
NSF 61 - Section 9  
NSF 372 (Low Lead Content)  
ANSI A117.1 (ADA)