



**T&S BRASS AND BRONZE WORKS, INC.**  
 2 Saddleback Cove / P.O. Box 1088  
 Travelers Rest, SC 29690

Model No.  
**B-1142-XS**

Item No.

Travelers Rest, SC: 800-476-4103 • Simi Valley, CA: 800-423-0150 • Fax: 864-834-3518 • www.tsbrass.com



**ADA Compliant**

This Space for Architect/Engineer Approval

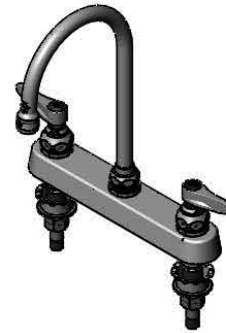
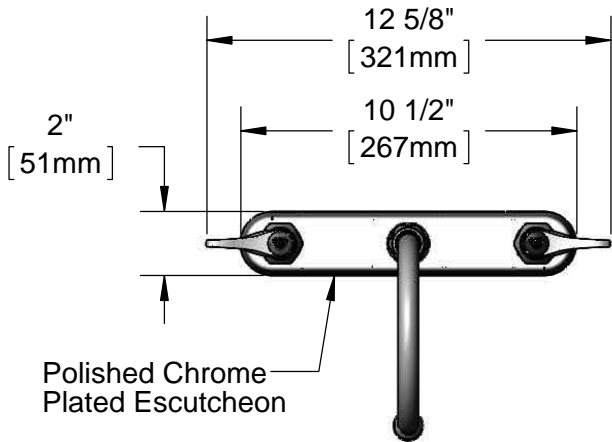
Job Name \_\_\_\_\_ Date \_\_\_\_\_

Model Specified \_\_\_\_\_ Quantity \_\_\_\_\_

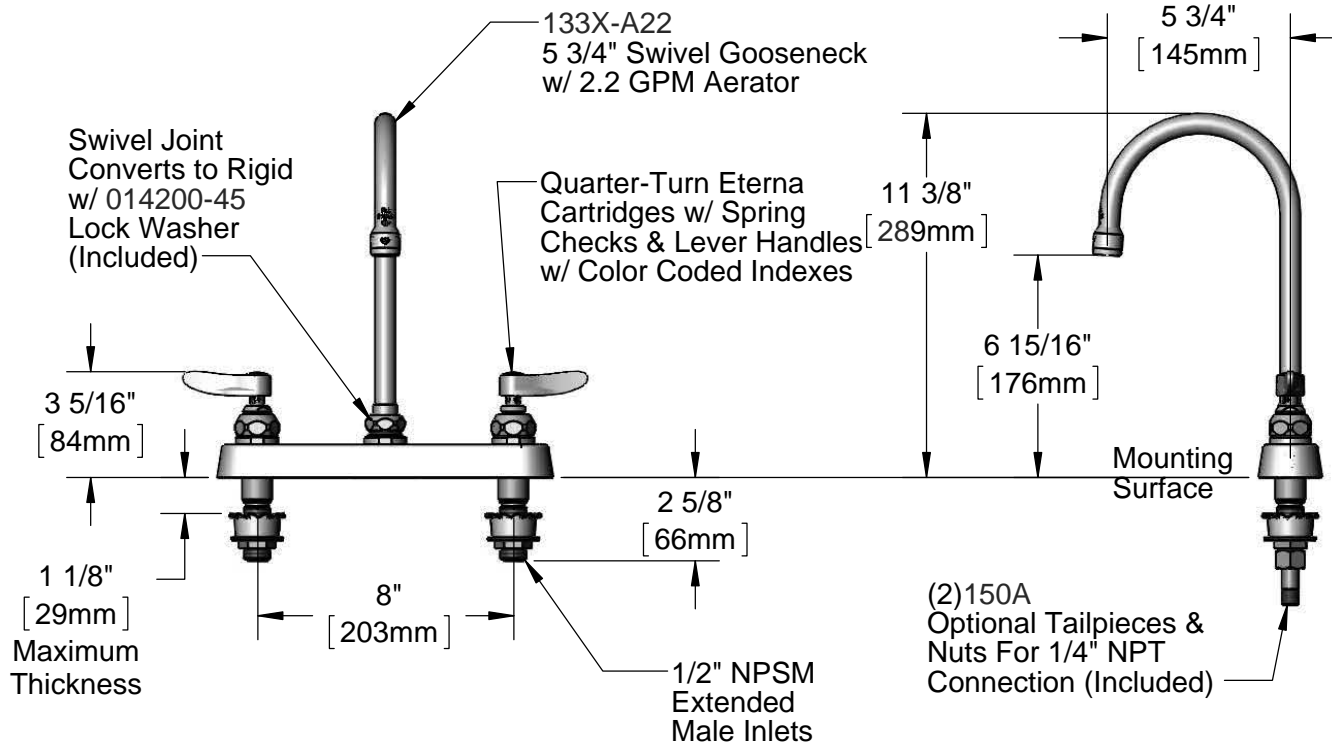
Customer/Wholesaler \_\_\_\_\_

Contractor \_\_\_\_\_

Architect/Engineer \_\_\_\_\_



Polished Chrome  
 Plated Escutcheon



**Rough-In Requirement:**  
 (2)  $\phi$ 1" [25mm] Mounting Holes

**Product Specifications:**  
 8" Deck Mount Workboard Faucet, Quarter-Turn Eterna Cartridges w/ Spring Checks, Lever Handles, 5 3/4" Swivel Gooseneck, 2.2 GPM Aerator & 1/2" NPSM Extended Male Inlets

**Product Compliance:**  
 ASME A112.18.1 / CSA B125.1  
 NSF 61 - Section 9  
 NSF 372 (Low Lead Content)  
 ANSI A117.1 (ADA)



# T&S BRASS AND BRONZE WORKS, INC.

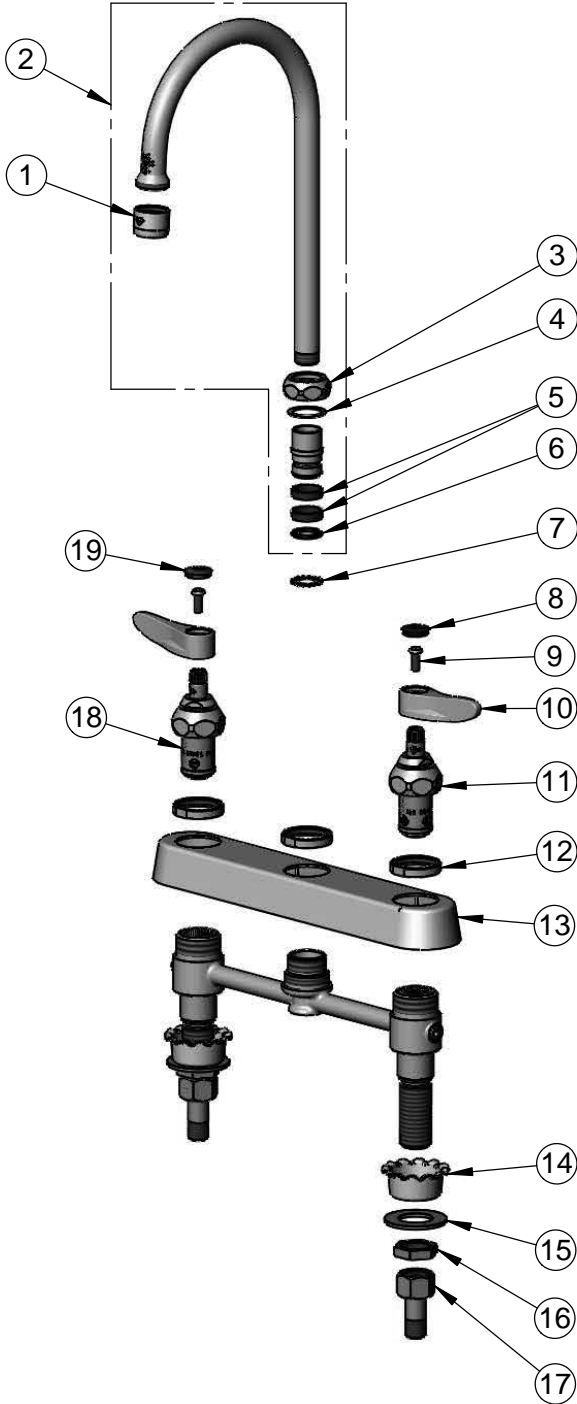
2 Saddleback Cove / P.O. Box 1088  
Travelers Rest, SC 29690

Model No.

**B-1142-XS**

Item No.

Travelers Rest, SC: 800-476-4103 • Simi Valley, CA: 800-423-0150 • Fax: 864-834-3518 • www.tsbrass.com



ITEM NO.	SALES NO.	DESCRIPTION
1	B-0199-01	2.2 GPM Aerator, 55/64"-27 UN Female
2	133X-A22	5 3/4" Swivel Gooseneck w/ 2.2 GPM Aerator
3	019360-40	Swivel Nut (New Style)
4	009538-45	Swivel Washer
5	011429-45	Swivel Sleeves (2)
6	001074-45	O-Ring
7	014200-45	Star Washer, Anti-Rotation
8	019363-45	Blue Button Index, Press-in
9	000925-45	Lab Handle Screw
10	019361-45	Lever Handle (New Style)
11	019382-40	Quarter-Turn New Style Eterna Cartridge w/ Spring Check, LTC
12	019376-40	Escutcheon Lock Nut
13	019375-40	B-1120 Eterna Workboard Escutcheon
14	001000-45	Rosette Washer
15	000999-45	Brass Lock Washer
16	002954-45	Shank Lock Nut
17	150A	1/4" NPT Tailpiece & Nut
18	019383-40	Quarter-Turn New Style Cerama Cartridge w/ Check Valve, RTC
19	019364-45	Red Button Index, Press-in

**Product Specifications:**

8" Deck Mount Workboard Faucet, Quarter-Turn Eterna Cartridges w/ Spring Checks, Lever Handles, 5 3/4" Swivel Gooseneck, 2.2 GPM Aerator & 1/2" NPSM Extended Male Inlets

**Product Compliance:**

ASME A112.18.1 / CSA B125.1  
NSF 61 - Section 9  
NSF 372 (Low Lead Content)  
ANSI A117.1 (ADA)