



# T&S BRASS AND BRONZE WORKS, INC.

2 Saddleback Cove / P.O. Box 1088  
Travelers Rest, SC 29690

Model No.

**B-1146-02A**

Item No.

Travelers Rest, SC: 800-476-4103 • Simi Valley, CA: 800-423-0150 • Fax: 864-834-3518 • www.tsbrass.com



**ADA Compliant**

This Space for Architect/Engineer Approval

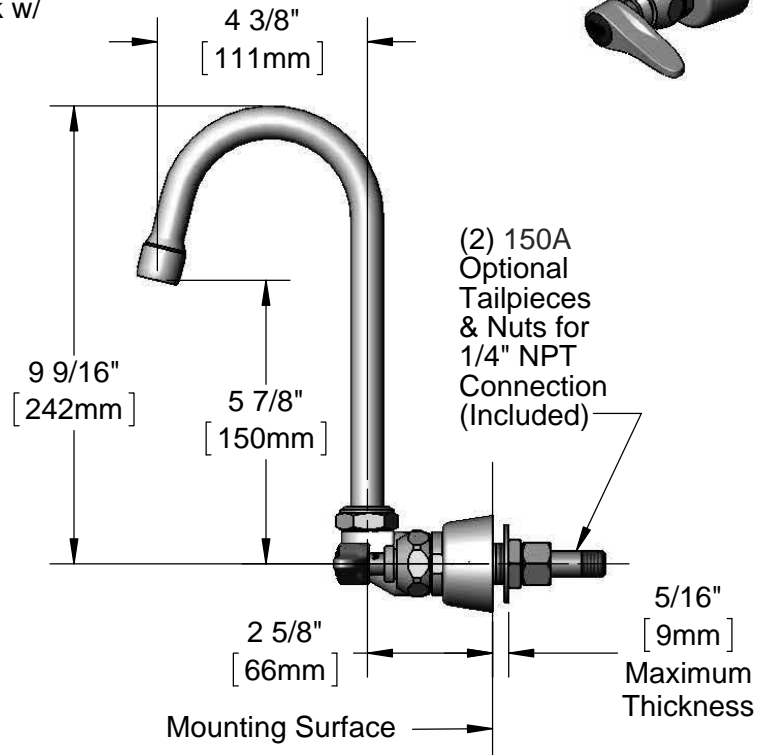
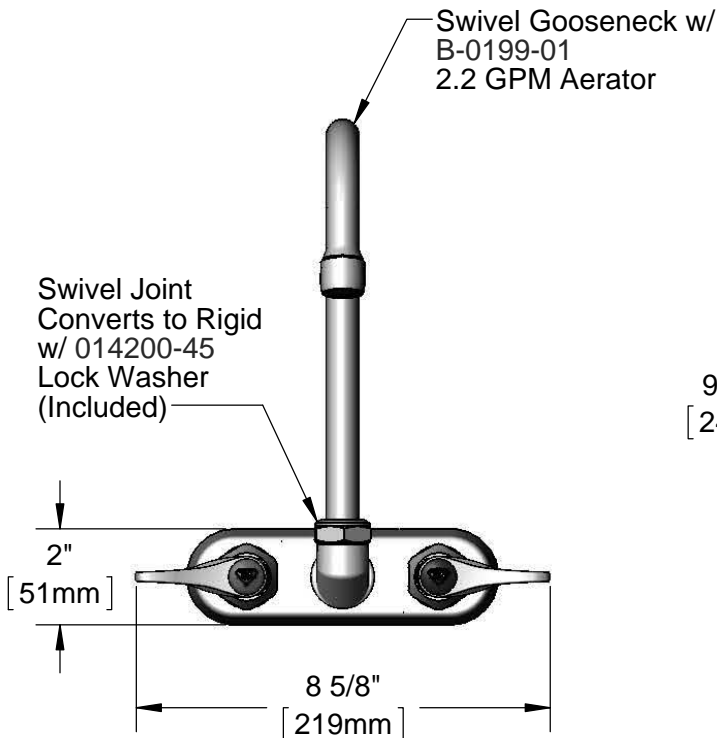
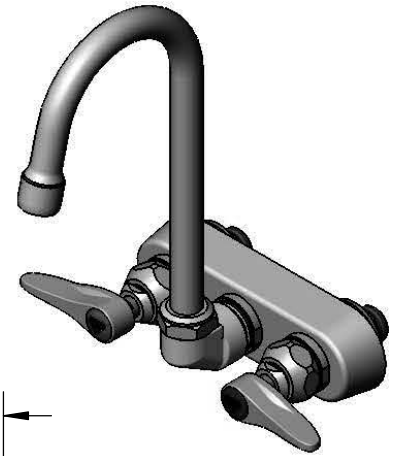
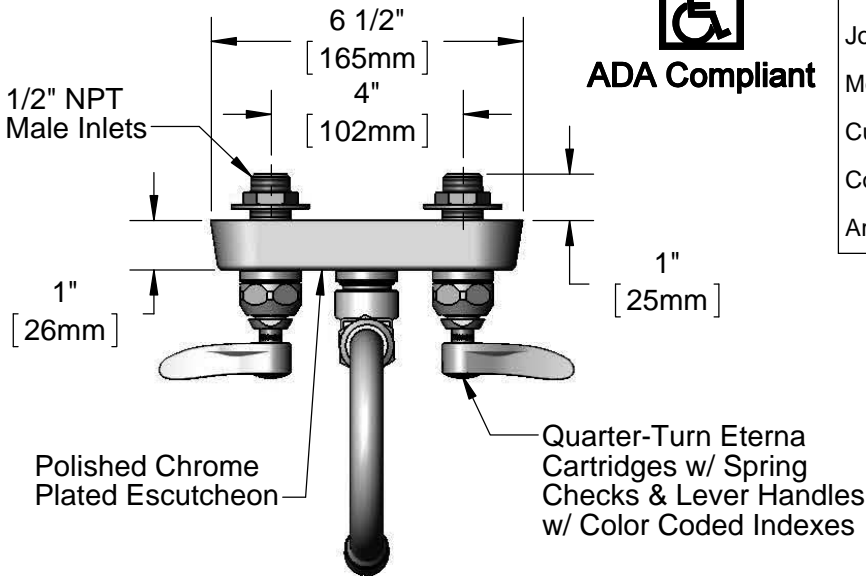
Job Name \_\_\_\_\_ Date \_\_\_\_\_

Model Specified \_\_\_\_\_ Quantity \_\_\_\_\_

Customer/Wholesaler \_\_\_\_\_

Contractor \_\_\_\_\_

Architect/Engineer \_\_\_\_\_



**Rough-In Requirement:**  
(2)  $\varnothing$  1" [25mm] Mounting Holes

**Product Specifications:**

4" Wall Mount Workboard Faucet, Quarter-Turn Eterna Cartridges w/ Spring Checks, Lever Handles, 4 3/8" Swivel Gooseneck, 2.2 GPM Aerator & 1/2" NPT Male Inlets

**Product Compliance:**

ASME A112.18.1 / CSA B125.1  
NSF 61 - Section 9  
NSF 372 (Low Lead Content)  
ANSI A117.1 (ADA)



# T&S BRASS AND BRONZE WORKS, INC.

2 Saddleback Cove / P.O. Box 1088  
Travelers Rest, SC 29690

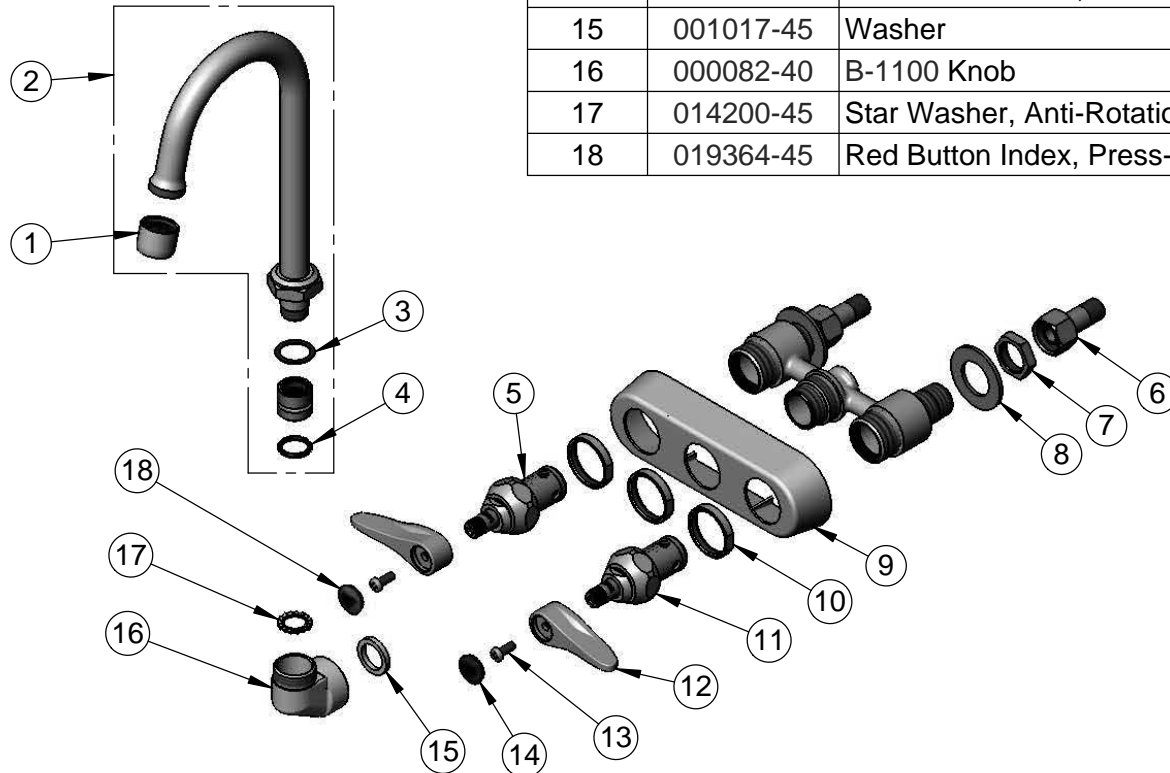
Model No.

**B-1146-02A**

Item No.

Travelers Rest, SC: 800-476-4103 • Simi Valley, CA: 800-423-0150 • Fax: 864-834-3518 • www.tsbrass.com

ITEM NO.	SALES NO.	DESCRIPTION
1	B-0199-01	2.2 GPM Aerator, 55/64"-27 UN Female
2	017907-40	Swivel Gooseneck w/ 2.2 GPM Aerator
3	001023-45	Swivel Binding Washer
4	001074-45	O-Ring
5	019382-40	Quarter-Turn New Style Eterna Cartridge w/ Spring Check, LTC
6	150A	1/4" NPT Tailpiece & Nut
7	002954-45	Shank Lock Nut
8	000999-45	Brass Lock Washer
9	019374-40	B-1110 Eterna Workboard Escutcheon
10	019376-40	Escutcheon Lock Nut
11	019383-40	Quarter-Turn New Style Eterna Cartridge w/ Spring Check, RTC
12	019361-45	Lever Handle (New Style)
13	000925-45	Lab Handle Screw
14	019363-45	Blue Button Index, Press-in
15	001017-45	Washer
16	000082-40	B-1100 Knob
17	014200-45	Star Washer, Anti-Rotation
18	019364-45	Red Button Index, Press-in



**Product Specifications:**

4" Wall Mount Workboard Faucet, Quarter-Turn Eterna Cartridges w/ Spring Checks, Lever Handles, 4 3/8" Swivel Gooseneck, 2.2 GPM Aerator & 1/2" NPT Male Inlets

**Product Compliance:**

ASME A112.18.1 / CSA B125.1  
NSF 61 - Section 9  
NSF 372 (Low Lead Content)  
ANSI A117.1 (ADA)