



T&S BRASS AND BRONZE WORKS, INC.

2 Saddleback Cove / P.O. Box 1088
Travelers Rest, SC 29690

Model No.

B-1151

Item No.

Travelers Rest, SC: 800-476-4103 • Simi Valley, CA: 800-423-0150 • Fax: 864-834-3518 • www.tsbrass.com

This Space for Architect/Engineer Approval

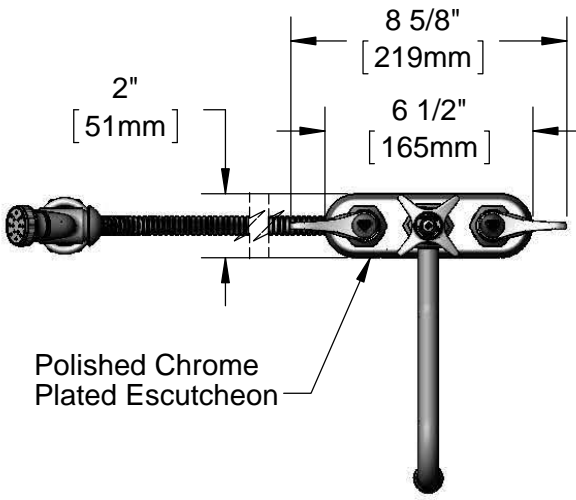
Job Name _____ Date _____

Model Specified _____ Quantity _____

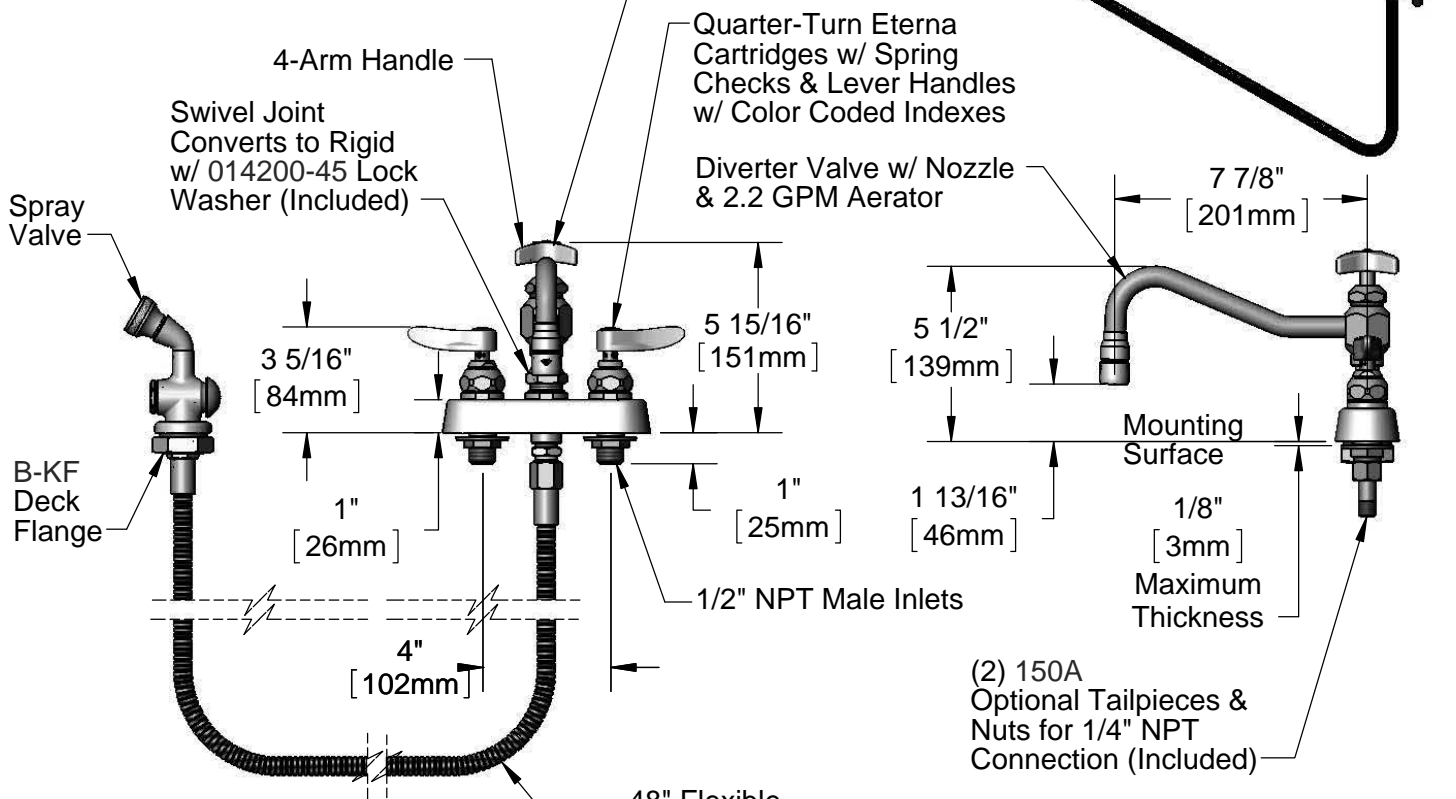
Customer/Wholesaler _____

Contractor _____

Architect/Engineer _____



Opening Faucet Pressurizes Hose. For Full Hose Pressure, Turn 4-Arm Handle Until It Pops Up, Stopping Water Flow Through Nozzle



Rough-In Requirement:
Faucet: (3) ϕ 1" [25mm] Mounting Holes
Deck Flange: (1) ϕ 1 9/16" [40mm] Mounting Hole

Product Specifications:
4" Deck Mount Workboard Mixing Faucet, Quarter-Turn Eterna Cartridges w/ Spring Checks, Lever Handles, Diverter Valve w/ 7 7/8" Swing Nozzle, 2.2 GPM Aerator, 48" Flexible Stainless Steel Hose, Spray Valve, Deck Flange & 1/2" NPT Male Inlets

Product Compliance:
ASME A112.18.1 / CSA B125.1
NSF 61 - Section 9
NSF 372 (Low Lead Content)



T&S BRASS AND BRONZE WORKS, INC.

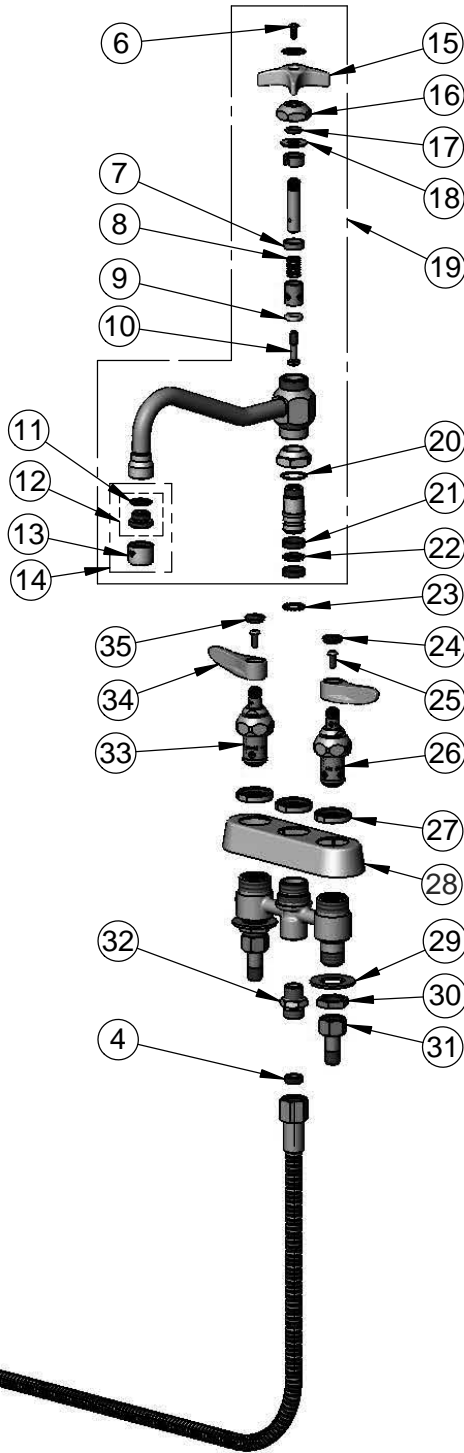
2 Saddleback Cove / P.O. Box 1088
Travelers Rest, SC 29690

Model No.

B-1151

Item No.

Travelers Rest, SC: 800-476-4103 • Simi Valley, CA: 800-423-0150 • Fax: 864-834-3518 • www.tsbrass.com



| ITEM NO. | SALES NO. | DESCRIPTION |
|----------|-----------|--|
| 1 | 002857-40 | Spray Valve Assembly |
| 2 | 001010-40 | Washer, Stainless Steel |
| 3 | B-KF | Protective Flange |
| 4 | 010476-45 | #27 Washer |
| 5 | 013E-48H | 48" Flexible Stainless Steel Hose |
| 6 | 000922-45 | Lever Handle Screw |
| 7 | 000875-20 | Washer |
| 8 | 000893-45 | Spring |
| 9 | 001084-45 | Seat Washer |
| 10 | 000832-20 | Stem Diverter Bottom |
| 11 | 001043-45 | Washer |
| 12 | 044A | 3/8" to Aerator Adapter |
| 13 | B-0199-01 | 2.2 GPM Aerator, 55/64"-27 UN Female |
| 14 | B-0199-02 | 2.2 GPM Aerator, 3/8" NPSM Male |
| 15 | 002521-45 | 4-Arm Handle |
| 16 | 000881-40 | Bonnet Nut |
| 17 | 001075-45 | O-ring, Nitrile -111 |
| 18 | 001047-45 | Washer, Santoprene |
| 19 | 002878-40 | Diverter Valve w/ Nozzle & 2.2 GPM Aerator Outlet |
| 20 | 009E | Plastic Washer |
| 21 | 011429-45 | Swivel Sleeves (2) |
| 22 | 001074-45 | O-Ring |
| 23 | 014200-45 | Star Washer, Anti-Rotation |
| 24 | 019363-45 | Blue Button Index, Press-in |
| 25 | 000925-45 | Lab Handle Screw |
| 26 | 019382-40 | Quarter-Turn New Style Eterna Cartridge w/ Spring Check, LTC |
| 27 | 019376-40 | Escutcheon Lock Nut |
| 28 | 019374-40 | B-1110 Eterna Workboard Escutcheon |
| 29 | 000999-45 | Brass Lock Washer |
| 30 | 002954-45 | Shank Lock Nut |
| 31 | 150A | 1/4" NPT Tailpiece & Nut |
| 32 | 053A | Adapter, 3/8" NPT Male |
| 33 | 019383-40 | Quarter-Turn New Style Eterna Cartridge w/ Spring Check, RTC |
| 34 | 019361-45 | Lever Handle (New Style) |
| 35 | 019364-45 | Red Button Index, Press-in |

Product Specifications:

4" Deck Mount Workboard Mixing Faucet, Quarter-Turn Eterna Cartridges w/ Spring Checks, Lever Handles, Diverter Valve w/ 7 7/8" Swing Nozzle, 2.2 GPM Aerator, 48" Flexible Stainless Steel Hose, Spray Valve, Deck Flange & 1/2" NPT Male Inlets

Product Compliance:

ASME A112.18.1 / CSA B125.1
NSF 61 - Section 9
NSF 372 (Low Lead Content)