



# T&S BRASS AND BRONZE WORKS, INC.

2 Saddleback Cove / P.O. Box 1088  
Travelers Rest, SC 29690

Model No.

**B-1172-T**

Item No.

Travelers Rest, SC: 800-476-4103 • Simi Valley, CA: 800-423-0150 • Fax: 864-834-3518 • www.tsbrass.com

This Space for Architect/Engineer Approval

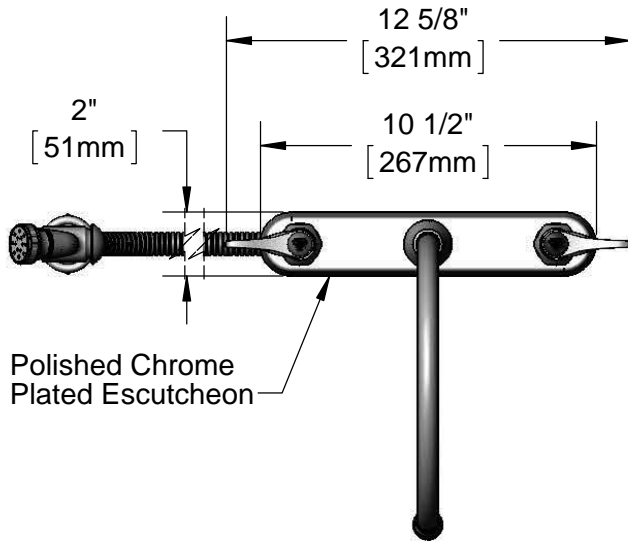
Job Name \_\_\_\_\_ Date \_\_\_\_\_

Model Specified \_\_\_\_\_ Quantity \_\_\_\_\_

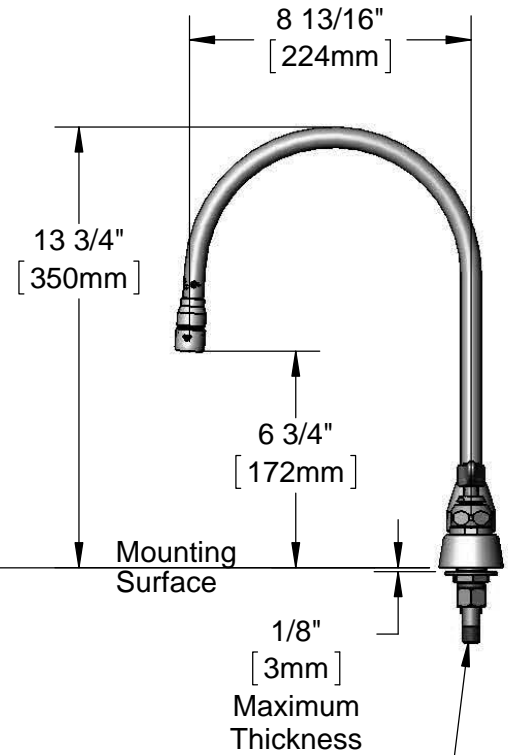
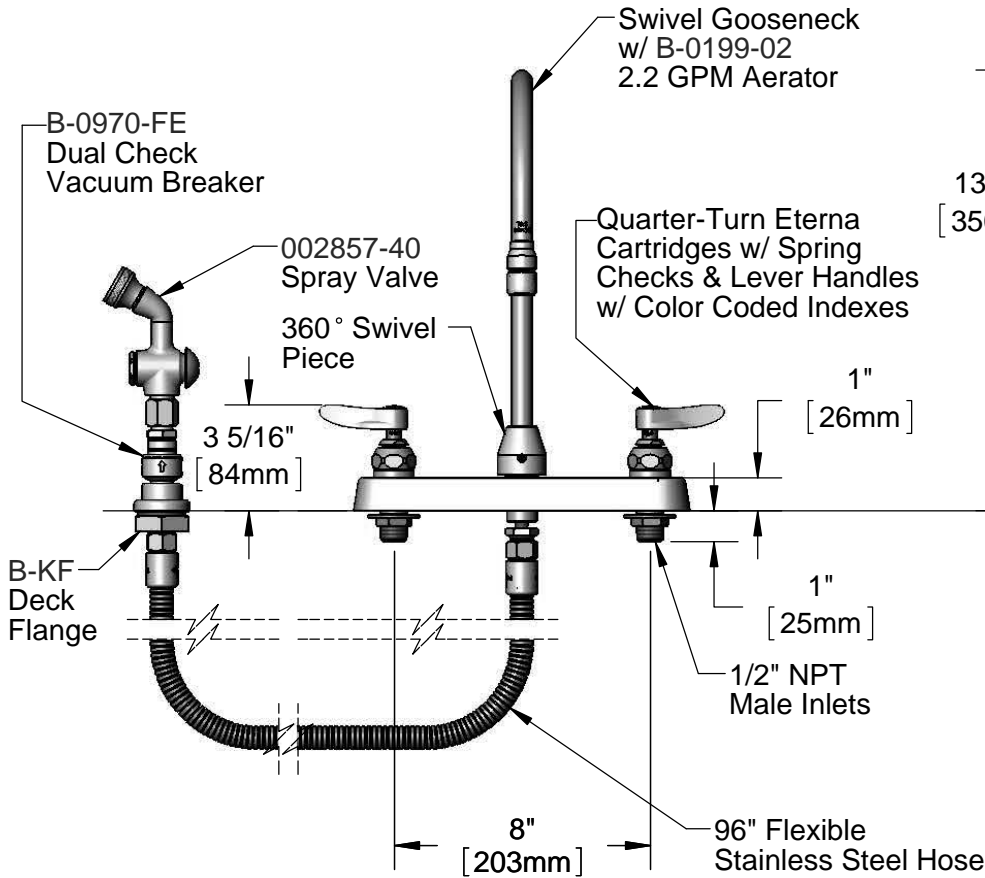
Customer/Wholesaler \_\_\_\_\_

Contractor \_\_\_\_\_

Architect/Engineer \_\_\_\_\_



Polished Chrome  
Plated Escutcheon



(2) 150A  
Optional Tailpieces &  
Nuts for 1/4" NPT  
Connection (Included)

**Rough-In Requirement:**  
Faucet: (3)  $\phi$  1" [25mm] Mounting Holes  
Deck Flange: (1)  $\phi$  1 9/16" [40mm] Mounting Hole

**Product Specifications:**  
8" Deck Mount Workboard Mixing Faucet, Quarter-Turn Eterna Cartridges w/ Spring Checks, Lever Handles, 8 13/16" Swivel Gooseneck, 2.2 GPM Aerator, 96" Flexible Stainless Steel Hose, Dual Check Vacuum Breaker, Push Button Spray Valve, Deck Flange & 1/2" NPT Male Inlets

**Product Compliance:**  
ASME A112.18.1 / CSA B125.1  
NSF 61 - Section 9  
NSF 372 (Low Lead Content)  
EPA Act 2005 Non-Compliant (PRSV)  
CSA B64.8 (VB)



# T&S BRASS AND BRONZE WORKS, INC.

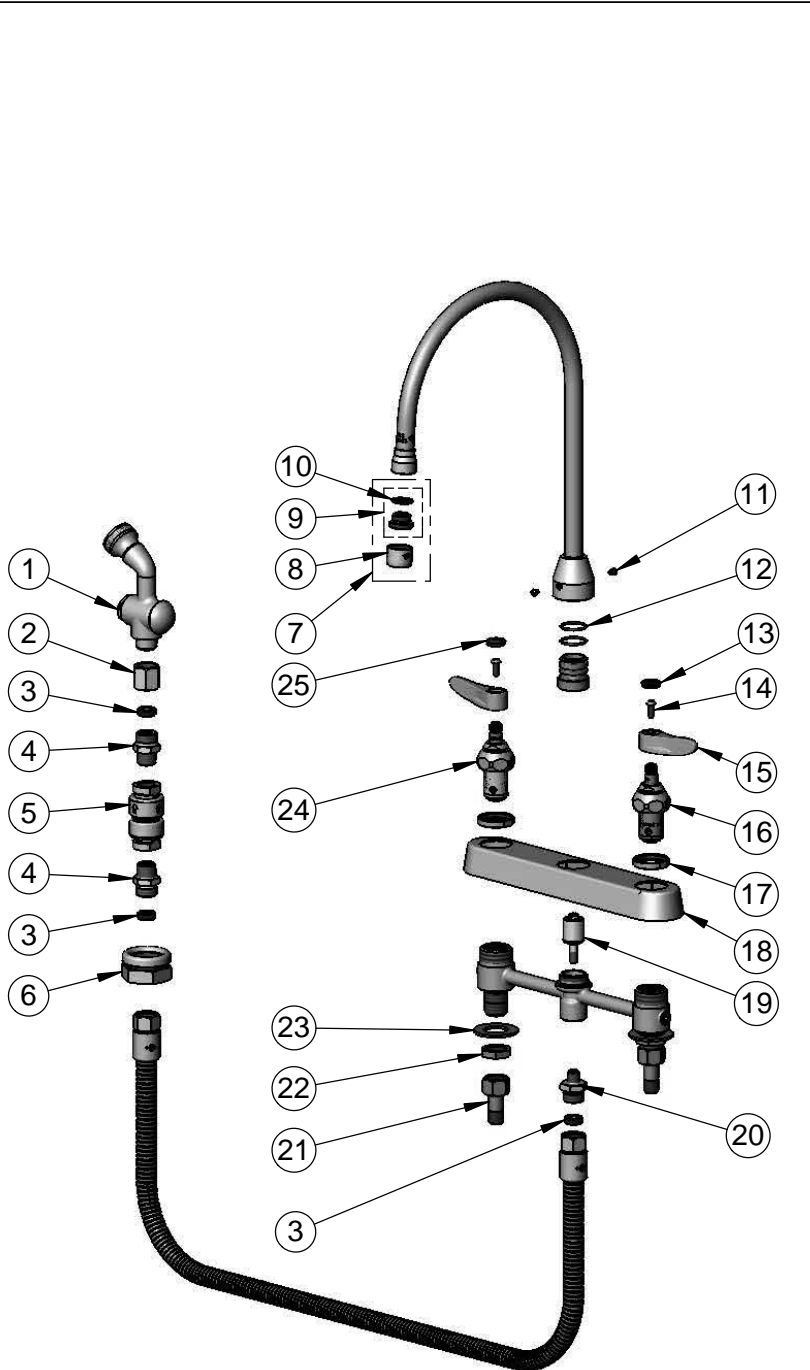
2 Saddleback Cove / P.O. Box 1088  
Travelers Rest, SC 29690

Model No.

**B-1172-T**

Item No.

Travelers Rest, SC: 800-476-4103 • Simi Valley, CA: 800-423-0150 • Fax: 864-834-3518 • www.tsbrass.com



ITEM NO.	SALES NO.	DESCRIPTION
1	002857-40	Spray Valve Assembly
2	146X	3/4-14 Coupling
3	010476-45	#27 Washer
4	053A	Adapter, 3/8" NPT Male
5	B-0970-FE	3/8" NPT Vacuum Breaker
6	B-KF	Protective Flange
7	B-0199-02	2.2 GPM Aerator, 3/8" NPSM Male
8	B-0199-01	2.2 GPM Aerator, 55/64"-27 UN Female
9	044A	3/8" to Aerator Adapter
10	001043-45	Washer
11	001486-45	Diverter Cover Screw
12	001069-45	O-ring
13	019363-45	Blue Button Index, Press-in
14	000925-45	Lab Handle Screw
15	019361-45	Lever Handle (New Style)
16	019382-40	Quarter-Turn New Style Eterna Cartridge w/ Spring Check, LTC
17	019376-40	Escutcheon Lock Nut
18	019375-40	B-1120 Eterna Workboard Escutcheon
19	002338-45	Valve Diverter Piston
20	000542-25	1/8" NPT x 3/4-14 Male Adapter
21	150A	1/4" NPT Tailpiece & Nut
22	002954-45	Shank Lock Nut
23	000999-45	Brass Lock Washer
24	019383-40	Quarter-Turn New Style Eterna Cartridge w/ Spring Check, RTC
25	019364-45	Red Button Index, Press-in

**Product Specifications:**

8" Deck Mount Workboard Mixing Faucet, Quarter-Turn Eterna Cartridges w/ Spring Checks, Lever Handles, 8 13/16" Swivel Gooseneck, 2.2 GPM Aerator, 96" Flexible Stainless Steel Hose, Dual Check Vacuum Breaker, Push Button Spray Valve, Deck Flange & 1/2" NPT Male Inlets

**Product Compliance:**

ASME A112.18.1 / CSA B125.1  
NSF 61 - Section 9  
NSF 372 (Low Lead Content)  
EPA Act 2005 Non-Compliant (PRSV)  
CSA B64.8 (VB)