



# T&S BRASS AND BRONZE WORKS, INC.

2 Saddleback Cove / P.O. Box 1088  
Travelers Rest, SC 29690

Model No.

**B-1176**

Item No.

Travelers Rest, SC: 800-476-4103 • Simi Valley, CA: 800-423-0150 • Fax: 864-834-3518 • www.tsbrass.com

This Space for Architect/Engineer Approval

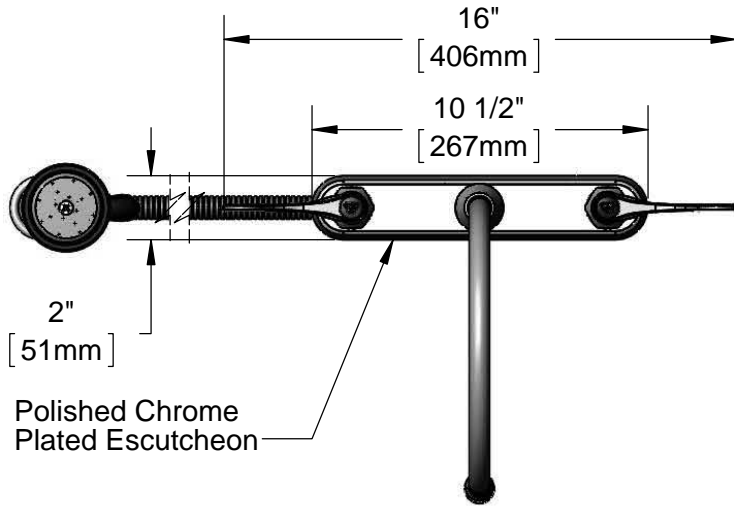
Job Name \_\_\_\_\_ Date \_\_\_\_\_

Model Specified \_\_\_\_\_ Quantity \_\_\_\_\_

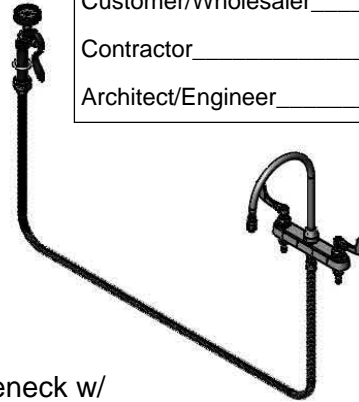
Customer/Wholesaler \_\_\_\_\_

Contractor \_\_\_\_\_

Architect/Engineer \_\_\_\_\_



Polished Chrome Plated Escutcheon



Swivel Gooseneck w/  
B-0199-02  
2.2 GPM Aerator

Quarter-Turn Eterna  
Cartridges w/ Spring  
Checks & 4" Wrist Action  
Handles w/ Color Coded  
Indexes

Deck Flange

EB-0107  
(Blue) Spray  
Valve

360°  
Swivel  
Piece



1" [25mm]

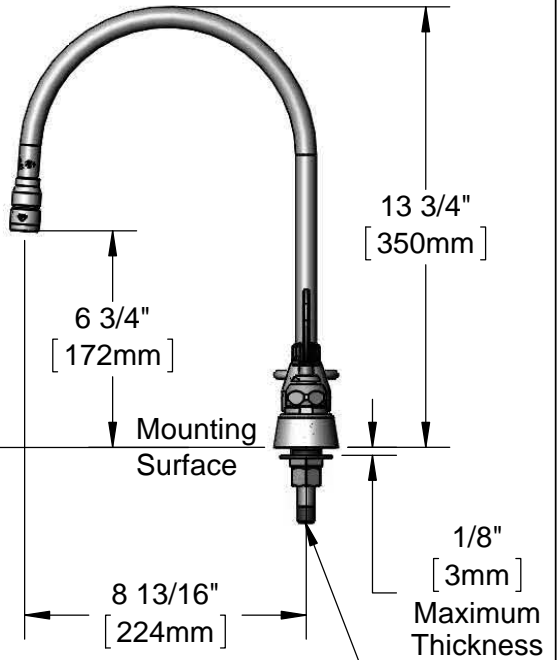
8" [203mm]

4 15/16" [125mm]

1" [25mm]

1/2" NPT  
Male Inlets

84" Flexible  
Stainless  
Steel Hose



(2) 150A  
Optional Tailpiece &  
Nut for 1/4" NPT  
Connection (Included)

**Rough-In Requirement:**

Faucet: (3)  $\phi$  1" [25mm] Mounting Holes

Deck Flange: (1)  $\phi$  1 9/16" [40mm] Mounting Hole

**Product Specifications:**

8" Deck Mount Workboard Mixing Faucet, Quarter-Turn Eterna Cartridges w/ Spring Checks, 4" Wrist Action Handles, 8 13/16" Swivel Gooseneck, 2.2 GPM Aerator, 84" Flexible Stainless Steel Hose, (Blue) Spray Valve, Deck Flange & 1/2" NPT Male Inlets

**Product Compliance:**

ASME A112.18.1 / CSA B125.1  
NSF 61 - Section 9  
NSF 372 (Low Lead Content)  
EPA 2005 Non-Compliant (PRSV)

Drawn: DHL

Checked: JRM

Approved: JHB

Date: 06/01/16

Scale: 1:6

Sheet: 1 of 2



# T&S BRASS AND BRONZE WORKS, INC.

2 Saddleback Cove / P.O. Box 1088  
Travelers Rest, SC 29690

Model No.

**B-1176**

Item No.

Travelers Rest, SC: 800-476-4103 • Simi Valley, CA: 800-423-0150 • Fax: 864-834-3518 • www.tsbrass.com

ITEM NO.	SALES NO.	DESCRIPTION
1	EB-0107	Blue Spray Valve
2	000907-45	Spray Valve Hold Down Ring
3	010476-45	#27 Washer
4	019383-40	Quarter-Turn New Style Eterna Cartridge w/ Spring Check, RTC
5	019364-45	Red Button Index, Press-in
6	B-0199-02	2.2 GPM Aerator, 3/8" NPSM Male
7	B-0199-01	2.2 GPM Aerator, 55/64"-27 UN Female
8	044A	3/8" to Aerator Adapter
9	001043-45	Washer
10	001486-45	Diverter Cover Screw
11	001069-45	O-ring
12	019363-45	Blue Button Index, Press-in
13	000925-45	Lab Handle Screw
14	019362-45	Wrist Action Handle (New Style)
15	019382-40	Quarter-Turn New Style Eterna Cartridge w/ Spring Check, LTC
16	019376-40	Escutcheon Lock Nut
17	019375-40	B-1120 Eterna Workboard Escutcheon
18	002338-45	Valve Diverter Piston
19	000999-45	Brass Lock Washer
20	002954-45	Shank Lock Nut
21	150A	1/4" NPT Tailpiece & Nut
22	000542-25	1/8" NPT x 3/4-14 Male Adapter
23	001014-45	Washer, B-0100 Hose Barrel
24	B-0084-H2A	84" Flexible Stainless Steel Hose, Less Handle
25	B-KF	Protective Flange
26	011482-45	Blue Grip Handle

**Product Specifications:**  
8" Deck Mount Workboard Mixing Faucet, Quarter-Turn Eterna Cartridges w/ Spring Checks, 4" Wrist Action Handles, 8 13/16" Swivel Gooseneck, 2.2 GPM Aerator, 84" Flexible Stainless Steel Hose, (Blue) Spray Valve, Deck Flange & 1/2" NPT Male Inlets

**Product Compliance:**  
ASME A112.18.1 / CSA B125.1  
NSF 61 - Section 9  
NSF 372 (Low Lead Content)  
EPA Act 2005 Non-Compliant (PRSV)