



T&S BRASS AND BRONZE WORKS, INC.

2 Saddleback Cove / P.O. Box 1088
Travelers Rest, SC 29690

Model No.

B-1193

Item No.

Travelers Rest, SC: 800-476-4103 • Simi Valley, CA: 800-423-0150 • Fax: 864-834-3518 • www.tsbrass.com

This Space for Architect/Engineer Approval

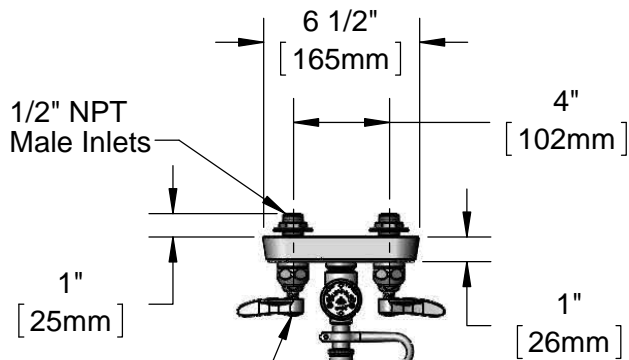
Job Name _____ Date _____

Model Specified _____ Quantity _____

Customer/Wholesaler _____

Contractor _____

Architect/Engineer _____



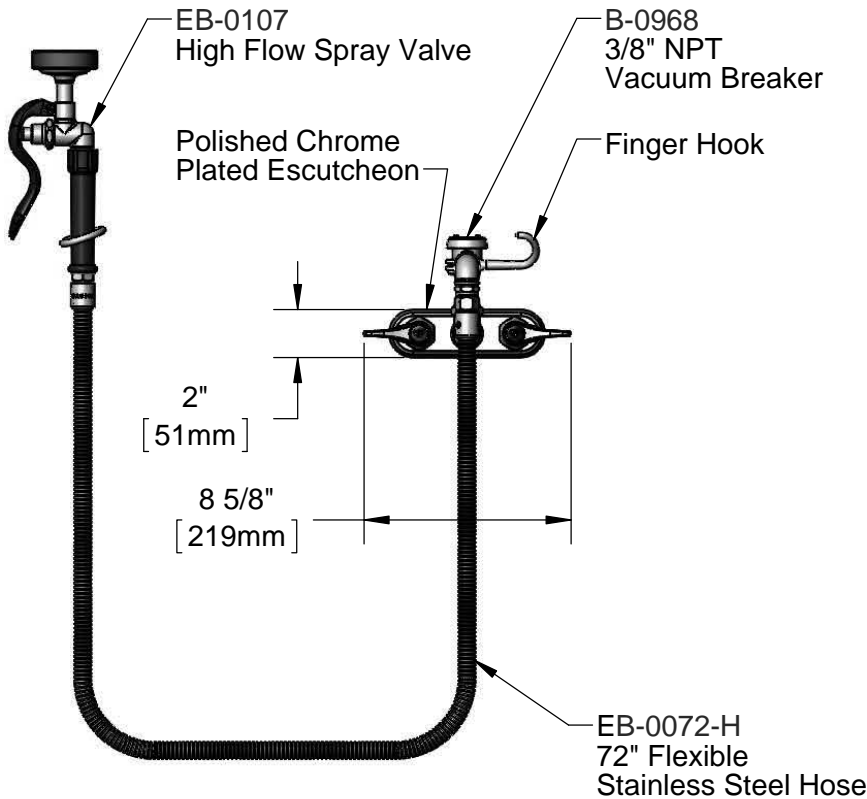
1/2" NPT Male Inlets

1" [25mm]

1" [26mm]

Quarter-Turn Eterna Cartridges w/ Spring Checks & Lever Handles w/ Color Coded Indexes

Items Not Shown for Clarity



EB-0107 High Flow Spray Valve

Polished Chrome Plated Escutcheon

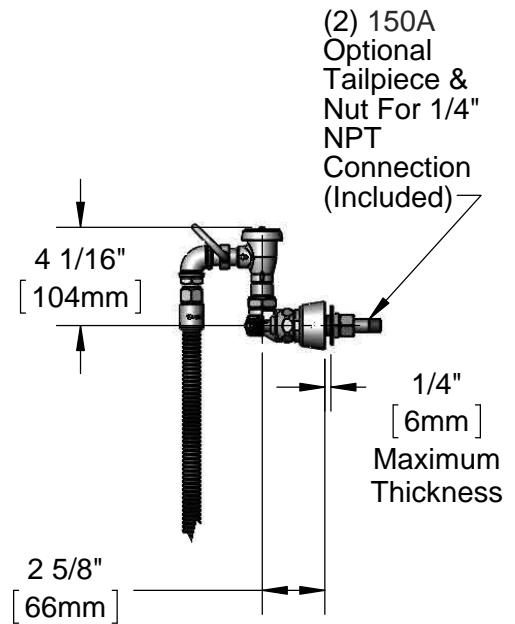
B-0968 3/8" NPT Vacuum Breaker

Finger Hook

2" [51mm]

8 5/8" [219mm]

EB-0072-H 72" Flexible Stainless Steel Hose



(2) 150A Optional Tailpiece & Nut For 1/4" NPT Connection (Included)

4 1/16" [104mm]

1/4" [6mm] Maximum Thickness

2 5/8" [66mm]

Rough-In Requirement:
Faucet: (3) Ø 1" [25mm] Mounting Holes
Deck Flange: (1) Ø 1 9/16" Mounting Hole

Product Specifications:

4" Wall Mount Mixing Faucet, Quarter-Turn Eterna Cartridges w/ Spring Checks, Lever Handles, 3/8" NPT Vacuum Breaker w/ Adapter Outlet, High Flow Spray Valve, 72" Flexible Stainless Steel Hose & 1/2" NPT Male Inlets

Product Compliance:

ASME A112.18.1 / CSA B125.1
NSF 61 - Section 9
NSF 372 (Low Lead Content)
EPA Act 2005 Non-Compliant (PRSV)
ASSE 1001 (VB)



T&S BRASS AND BRONZE WORKS, INC.

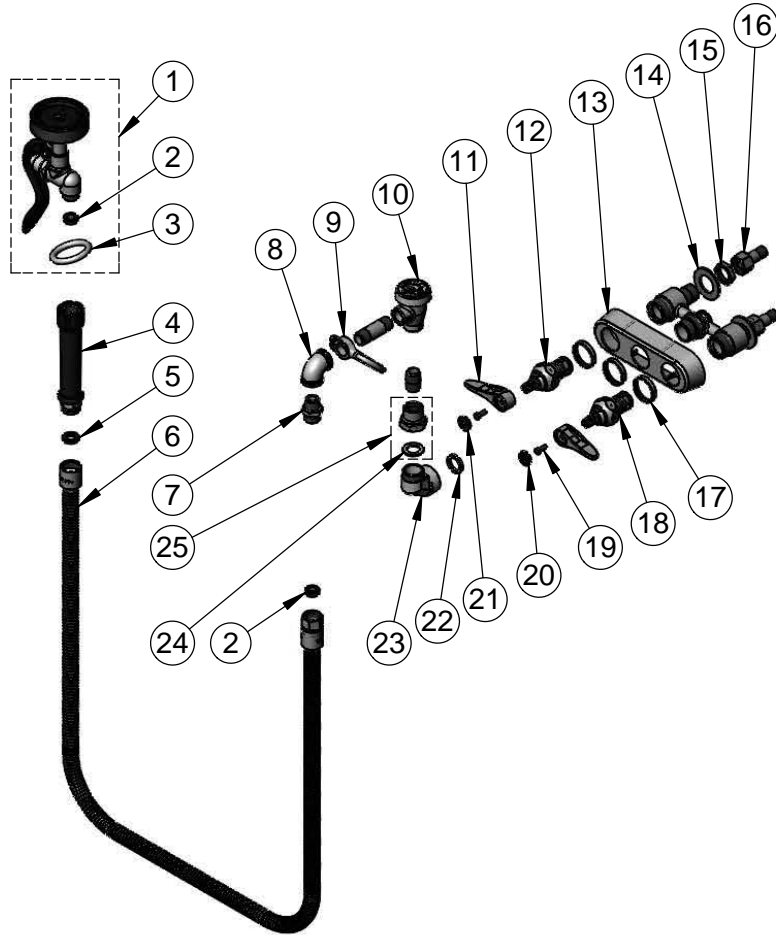
2 Saddleback Cove / P.O. Box 1088
Travelers Rest, SC 29690

Model No.

B-1193

Item No.

Travelers Rest, SC: 800-476-4103 • Simi Valley, CA: 800-423-0150 • Fax: 864-834-3518 • www.tsbrass.com



ITEM NO.	SALES NO.	DESCRIPTION
1	EB-0107	High Flow Spray Valve (Blue)
2	010476-45	#27 Washer
3	000907-45	Spray Valve Hold Down Ring
4	011482-45	Blue Grip Handle
5	001014-45	Washer, B-0100 Hose Barrel
6	B-0072-H2A	72" Flexible Stainless Steel Hose, Less Handle
7	053A	Adapter, 3/8" NPT Male
8	001355-40	Elbow, 3/8 NPT
9	004R	Finger Hook
10	B-0968	3/8" NPT Vacuum Breaker
11	019361-45	Lever Handle (New Style)
12	019382-40	Quarter-Turn New Style Eterna Cartridge w/ Spring Check, LTC
13	019374-40	B-1110 Eterna Workboard Escutcheon
14	000999-45	Brass Lock Washer
15	002954-45	Shank Lock Nut
16	150A	1/4" NPT Tailpiece & Nut
17	019376-40	Escutcheon Lock Nut
18	019383-40	Quarter-Turn New Style Eterna Cartridge w/ Spring Check, RTC
19	000925-45	Lab Handle Screw
20	019363-45	Blue Button Index, Press-in
21	019364-45	Red Button Index, Press-in
22	001017-45	Washer
23	000082-40	B-1100 Knob
24	001049-45	Washer
25	B-0413	Swivel-to-Rigid Adapter

Product Specifications:

4" Wall Mount Mixing Faucet, Quarter-Turn Eterna Cartridges w/ Spring Checks, Lever Handles, 3/8" NPT Vacuum Breaker w/ Adapter Outlet, High Flow Spray Valve, 72" Flexible Stainless Steel Hose & 1/2" NPT Male Inlets

Product Compliance:

ASME A112.18.1 / CSA B125.1
NSF 61 - Section 9
NSF 372 (Low Lead Content)
EPA Act 2005 Non-Compliant (PRSV)
ASSE 1001 (VB)