

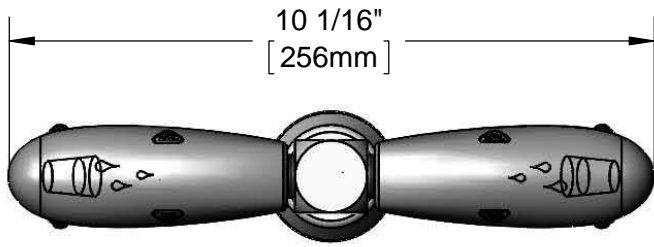


T&S BRASS AND BRONZE WORKS, INC.
 2 Saddleback Cove / P.O. Box 1088
 Travelers Rest, SC 29690

Model No.
B-1215-12

Item No.

Travelers Rest, SC: 800-476-4103 • Simi Valley, CA: 800-423-0150 • Fax: 864-834-3518 • www.tsbrass.com



This Space for Architect/Engineer Approval

Job Name _____ Date _____

Model Specified _____ Quantity _____

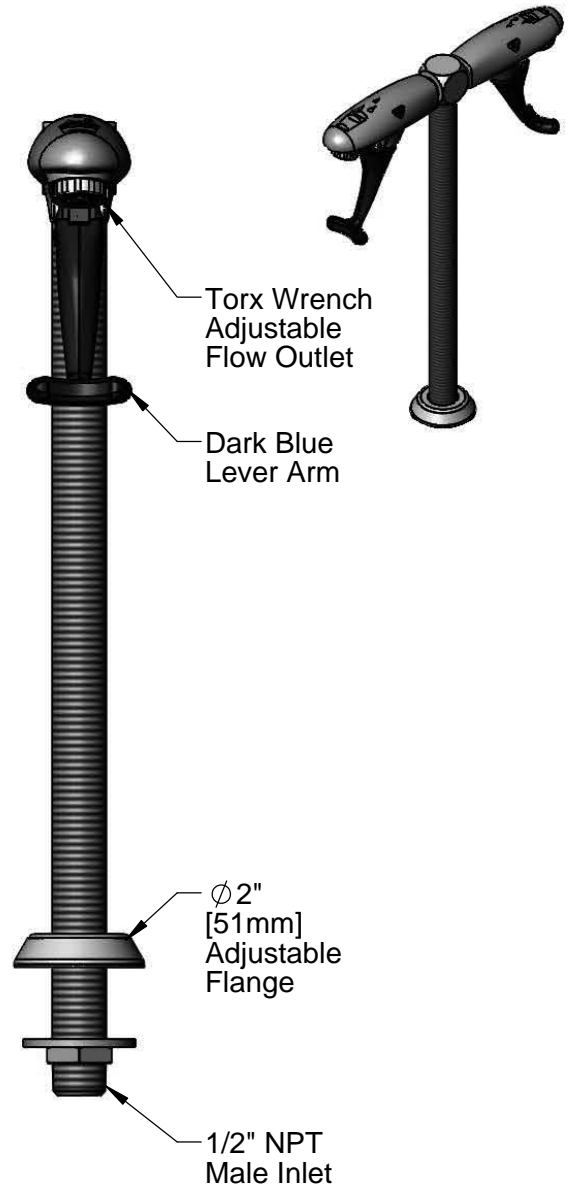
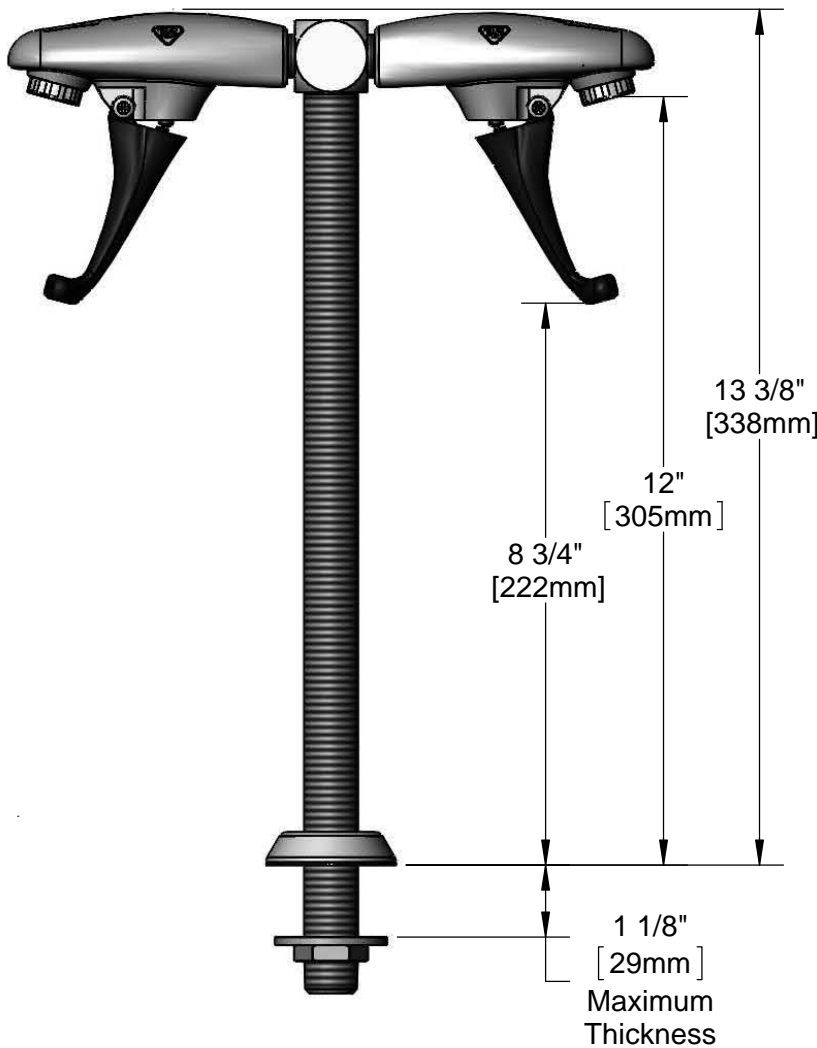
Customer/Wholesaler _____

Contractor _____

Architect/Engineer _____



ADA Compliant



Rough-In Requirement:
 Ø 1" [25mm] Mounting Hole

Product Specifications:
 12" Pedestal Type Double Glass Filler, Push Back Design, 1/2" NPT Male Shank, Adjustable Flange & Dark Blue Self-Closing Arm

Product Compliance:
 ASME A112.18.1 / CSA B125.1
 NSF 61 - Section 9
 NSF 372 (Low Lead Content)
 ANSI A117.1 (ADA)



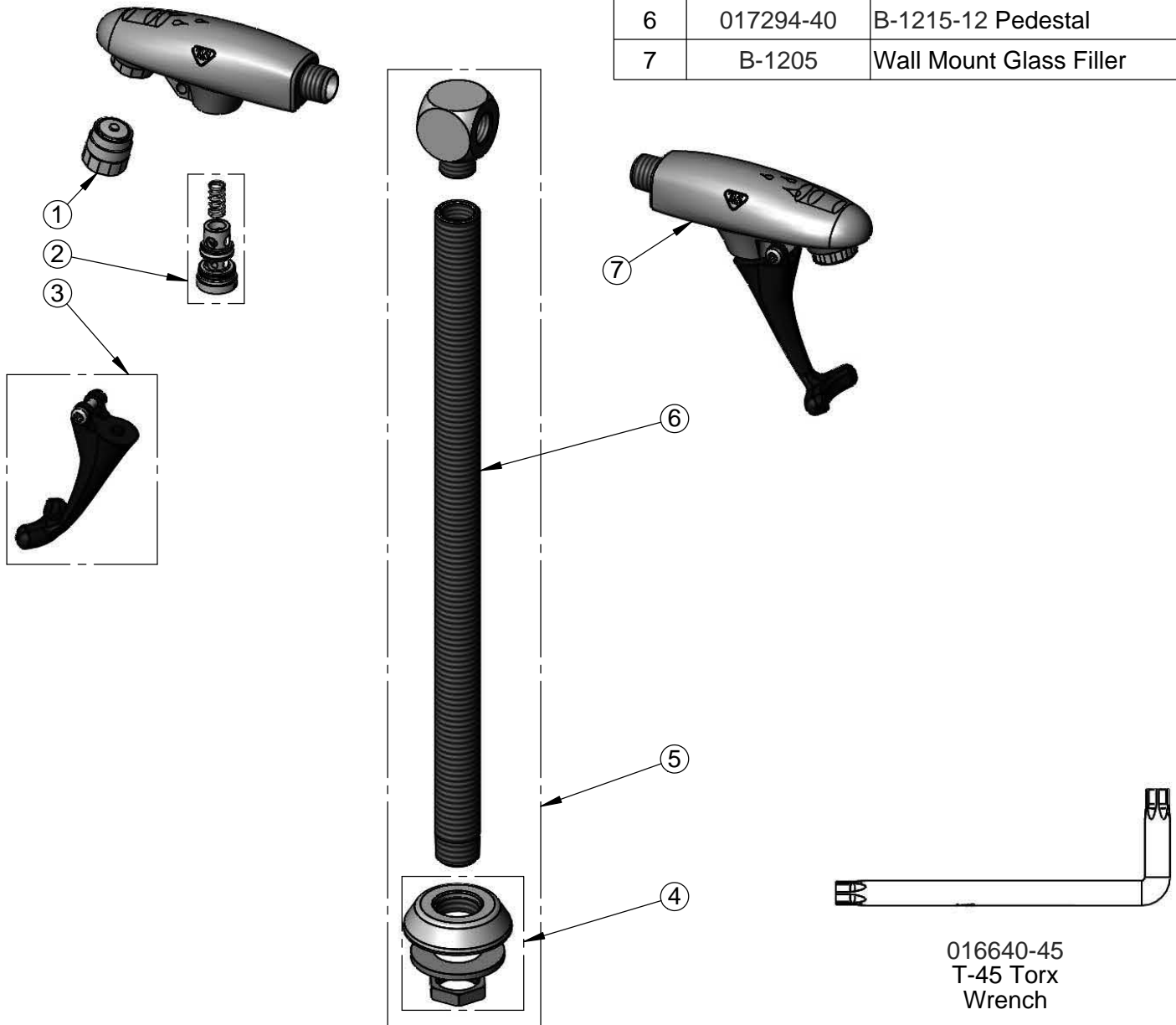
T&S BRASS AND BRONZE WORKS, INC.
 2 Saddleback Cove / P.O. Box 1088
 Travelers Rest, SC 29690

Model No.
B-1215-12

Item No.

Travelers Rest, SC: 800-476-4103 • Simi Valley, CA: 800-423-0150 • Fax: 864-834-3518 • www.tsbrass.com

| ITEM NO. | SALES NO. | DESCRIPTION |
|----------|-----------|-----------------------------------|
| 1 | 015588-40 | Adjustable Outlet w/ Torx Wrench |
| 2 | 015589-40 | Valve Assembly |
| 3 | 015550-45 | Lever Arm Repair Kit |
| 4 | 016783-40 | Adjustable Deck Flange Repair Kit |
| 5 | 017296-40 | Pedestal Assembly |
| 6 | 017294-40 | B-1215-12 Pedestal |
| 7 | B-1205 | Wall Mount Glass Filler |



016640-45
 T-45 Torx
 Wrench

Product Specifications:
 12" Pedestal Type Double Glass Filler, Push Back Design, 1/2" NPT Male Shank, Adjustable Flange & Dark Blue Self-Closing Arm

Product Compliance:
 ASME A112.18.1 / CSA B125.1
 NSF 61 - Section 9
 NSF 372 (Low Lead Content)
 ANSI A117.1 (ADA)