



T&S BRASS AND BRONZE WORKS, INC.
 2 Saddleback Cove / P.O. Box 1088
 Travelers Rest, SC 29690

Model No.
B-1410

Item No.

Travelers Rest, SC: 800-476-4103 • Simi Valley, CA: 800-423-0150 • Fax: 864-834-3518 • www.tsbrass.com

This Space for Architect/Engineer Approval

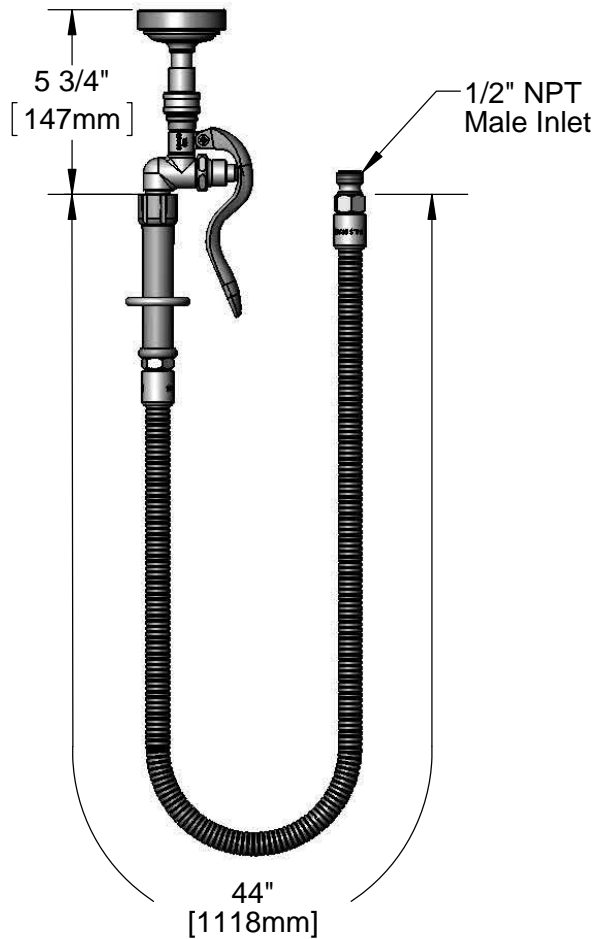
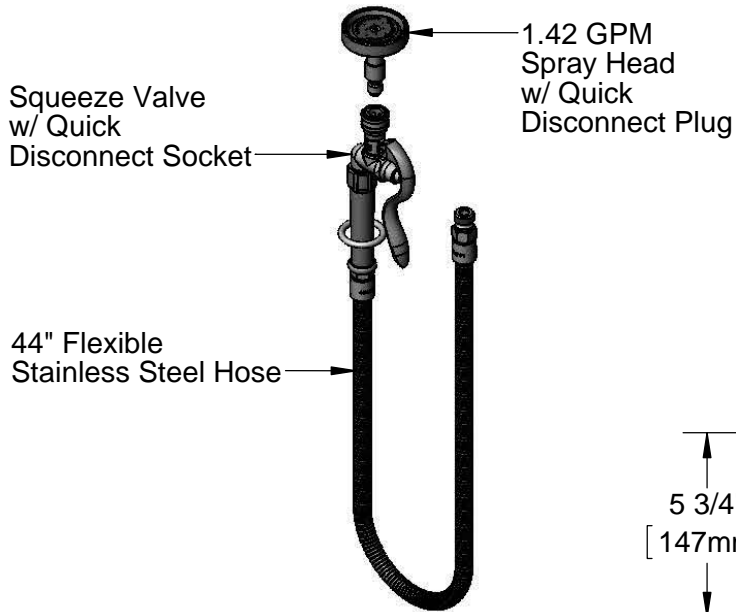
Job Name _____ Date _____

Model Specified _____ Quantity _____

Customer/Wholesaler _____

Contractor _____

Architect/Engineer _____



Product Specifications:

44" Flexible Stainless Steel Hose w/ Automatic Shut-Off Squeeze Valve, 1.42 GPM Spray Head, 2 Piece Quick Disconnect & 1/2" NPT Male Inlet

Product Compliance:

ASME A112.18.1 / CSA B125.1
 NSF 61 - Section 9
 NSF 372 (Low Lead Content)
 EPA Act 2005 (PRSV)

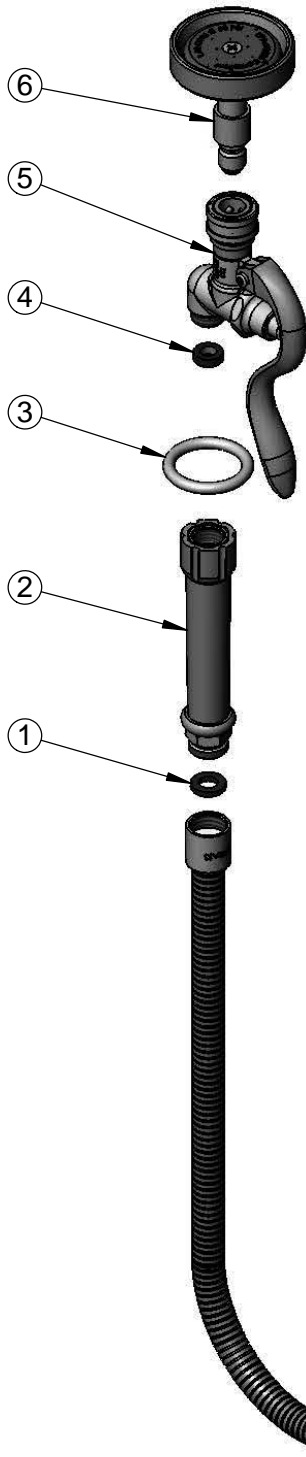


T&S BRASS AND BRONZE WORKS, INC.
 2 Saddleback Cove / P.O. Box 1088
 Travelers Rest, SC 29690

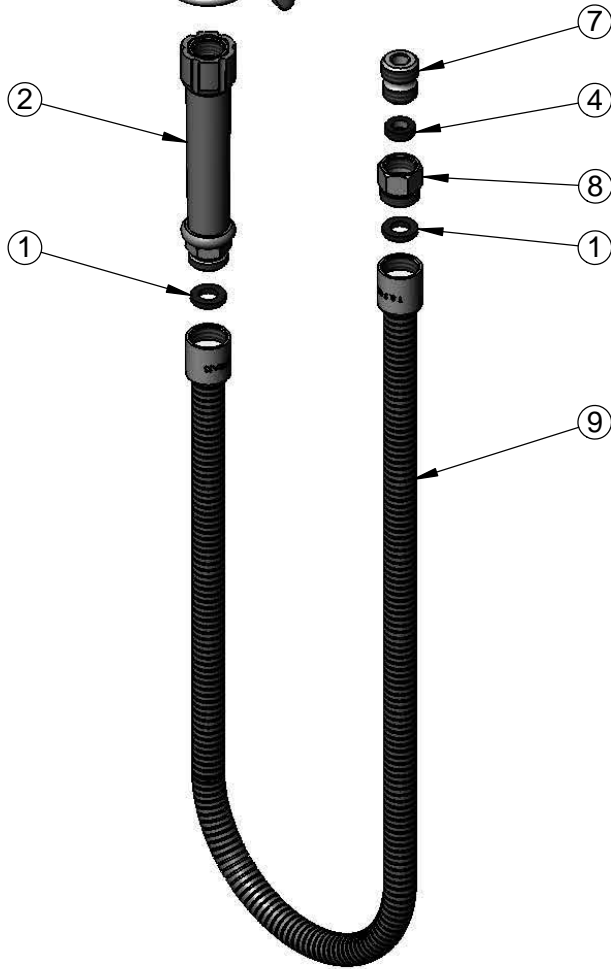
Model No.
B-1410

Item No.

Travelers Rest, SC: 800-476-4103 • Simi Valley, CA: 800-423-0150 • Fax: 864-834-3518 • www.tsbrass.com



ITEM NO.	SALES NO.	DESCRIPTION
1	001014-45	Washer, B-0100 Hose Barrel
2	002987-40	Grip Handle
3	000907-45	Spray Valve Hold Down Ring
4	010476-45	#27 Washer
5	B-1420	Squeeze Valve w/ Quick Disconnect Socket
6	B-1421	Spray Face w/ Quick Disconnect Plug
7	055A	Adapter, 1/2 NPT Male
8	000729-40	Nut, 7/8"-20 Male x 3/4"-14 Female
9	B-0044-H2A	44" Flexible Stainless Steel Hose, Less Handle



Product Specifications:

44" Flexible Stainless Steel Hose w/ Automatic Shut-Off Squeeze Valve, 1.42 GPM Spray Head, 2 Piece Quick Disconnect & 1/2" NPT Male Inlet

Product Compliance:

ASME A112.18.1 / CSA B125.1
 NSF 61 - Section 9
 NSF 372 (Low Lead Content)
 EPA Act 2005 (PRSV)