



T&S BRASS AND BRONZE WORKS, INC.

2 Saddleback Cove / P.O. Box 1088
Travelers Rest, SC 29690

Model No.

B-1433-01M-QDS

Item No.

Travelers Rest, SC: 800-476-4103 • Simi Valley, CA: 800-423-0150 • Fax: 864-834-3518 • www.tsbrass.com

This Space for Architect/Engineer Approval

Job Name _____ Date _____

Model Specified _____ Quantity _____

Customer/Wholesaler _____

Contractor _____

Architect/Engineer _____

B-0963
Continuous Pressure
Vacuum Breaker w/
Integral Check Valve

3/8" NPT x 36"
Flexible Water
Connector
To Hose Reel

Stainless Steel
Quick Disconnect

3/8" NPT x 40" Riser

Control Valve

(2) B-0109-07
Wall Brackets

3/8" NPT x 16" Riser

3 11/16"
[94mm]

12 3/16"
[309mm]

Ø 2" [51mm]
Flanges w/
1/2" NPT
Female Inlets

8"
[203mm]

Adjustable From
7 3/4" to 8 1/4"
[197mm to 210mm]



EB-2322
Extended Wand Spray Valve w/
AW-5B Stainless Steel QD
EPAct 2005 Non-Compliant

Open Coated
Hose Reel
w/ 35'
of 3/8"
Hose

B-0107
1.42 GPM
Spray Valve w/
AW-5B
Stainless
Steel QD
EPAct 2005
Compliant

Ø 1/2"
[13mm]
Typ

6 7/16"
[164mm]

5 1/2"
[139mm]

2 3/8"
[60mm]

5 1/4"
[133mm]

3/4"
[19mm]

1/2"
[13mm]
Typ

63 5/16"
[1609mm]

17 3/4"
[451mm]

Product Specifications:

Open Coated Hose Reel w/ 35' of 3/8" Hose, Two Spray Valves w/ Quick Disconnects, Vacuum Breaker, 3/8" NPT Flexible Water Connector, 8" Wall Mount Mixing Faucet & Control Valve

Product Compliance:

NSF 61 Exempt (Non-Potable)
EPAct 2005 (B-0107)
EPAct 2005 Non-Compliant (EB-2322)
ASSE 1056 (VB)



T&S BRASS AND BRONZE WORKS, INC.

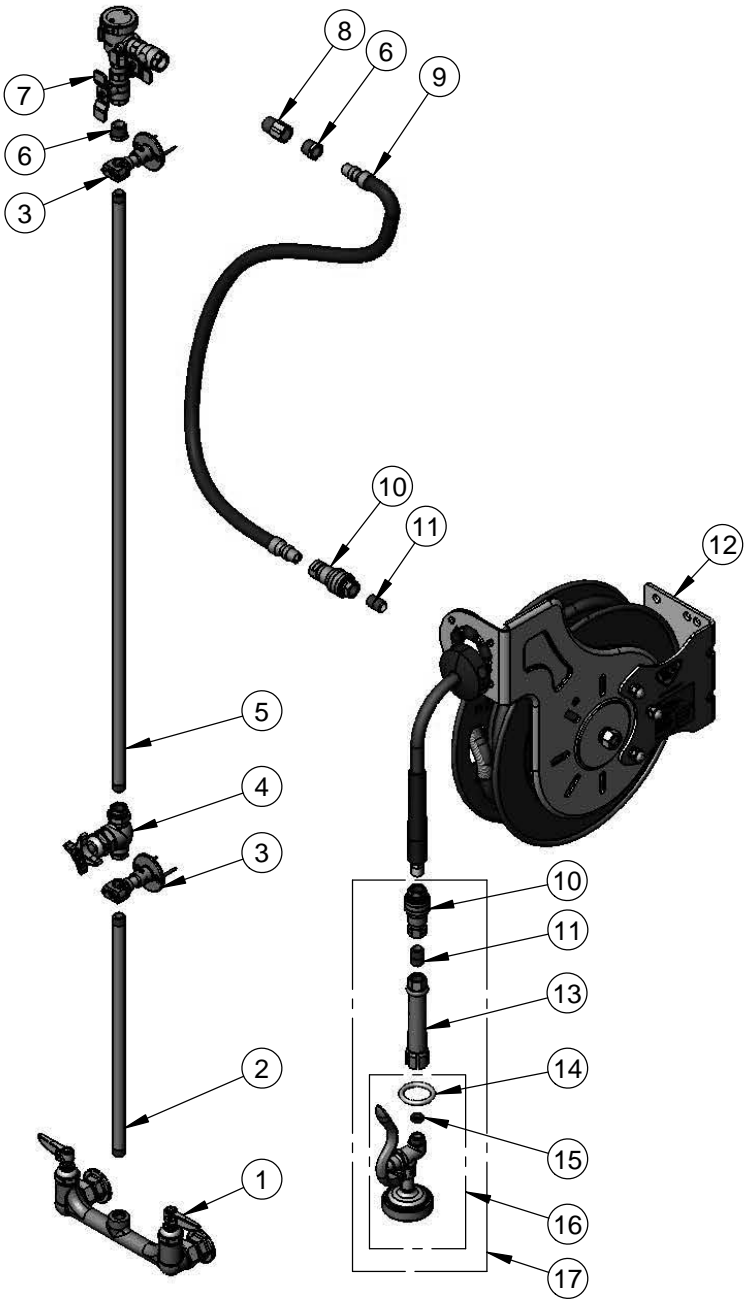
2 Saddleback Cove / P.O. Box 1088
Travelers Rest, SC 29690

Model No.

B-1433-01M-QDS

Item No.

Travelers Rest, SC: 800-476-4103 • Simi Valley, CA: 800-423-0150 • Fax: 864-834-3518 • www.tsbrass.com



ITEM NO.	SALES NO.	DESCRIPTION
1	002832-40	8" Wall Mount Mixing Faucet
2	000368-40	3/8" NPT x 16" Riser
3	B-0109-07	Wall Bracket
4	0RK3	Control Valve
5	002558-40	3/8" NPT x 40" Riser
6	001359-40	1/2" NPT Male x 3/8" NPT Female Hex Bushing
7	B-0963	1/2" NPT Continuous Pressure VB w/ Integral Check Valve
8	015073-40	Check Valve w/ 1/2" NPT Adapter
9	HW-2B-36	3/8" NPT x 36" Flexible Water Hose
10	AW-5B	3/8" NPT Quick Disconnect
11	002535-25	3/8" Close Nipple
12	B-7232	Open Coated Hose Reel w/ 35' of 3/8" Hose
13	002881-40	Grip Handle, 3/8" NPT
14	000907-45	Hold Down Ring
15	010476-45	#27 Washer
16	B-0107	1.42 GPM Spray Valve
17	B-0107-QD	1.42 GPM Spray Valve w/ Stainless Steel Quick Disconnect
18	EB-2322-QD	Extended Wand Spray Valve w/ Stainless Steel Quick Disconnect

Product Specifications:

Open Coated Hose Reel w/ 35' of 3/8" Hose, Two Spray Valves w/ Quick Disconnects, Vacuum Breaker, 3/8" NPT Flexible Water Connector, 8" Wall Mount Mixing Faucet & Control Valve

Product Compliance:

NSF 61 Exempt (Non-Potable)
EPA Act 2005 (B-0107)
EPA Act 2005 Non-Compliant (EB-2322)
ASSE 1056 (VB)