



# T&S BRASS AND BRONZE WORKS, INC.

2 Saddleback Cove / P.O. Box 1088  
Travelers Rest, SC 29690

Model No.

**B-1433-02**

Item No.

Travelers Rest, SC: 800-476-4103 • Simi Valley, CA: 800-423-0150 • Fax: 864-834-3518 • www.tsbrass.com

This Space for Architect/Engineer Approval

Job Name \_\_\_\_\_ Date \_\_\_\_\_

Model Specified \_\_\_\_\_ Quantity \_\_\_\_\_

Customer/Wholesaler \_\_\_\_\_

Contractor \_\_\_\_\_

Architect/Engineer \_\_\_\_\_

B-0963  
Continuous Pressure  
Vacuum Breaker w/  
Integral Check Valve

20" Stainless  
Steel Flexible  
Water Connector

Stainless Steel  
Quick Disconnect

3/8" NPT x 40" Riser

Control Valve

(2) B-0109-07  
Wall Brackets

3/8" NPT x 16" Riser

8" Wall Mount  
Mixing Faucet,  
Quarter-Turn  
Eterna Cartridges  
w/ Spring Checks  
& Lever Handles  
w/ Color Coded  
Indexes

Ø 2" [51mm]  
Flanges w/  
1/2" NPT  
Female Inlets

8" [203mm]  
Adjustable From  
7 3/4" to 8 1/4"  
[197mm to 210mm]

Ø 1/2"  
[13mm]  
Typ

2 3/8"  
[60mm]

6 7/16"  
[164mm]

5 1/4"  
[133mm]

1/2"  
[13mm]  
Typ

3/4"  
[19mm]

5 1/2"  
[139mm]

63 5/16"  
[1609mm]

17 3/4"  
[451mm]

Enclosed Coated Hose Reel  
w/ 30' of 3/8" Hose

EB-0107  
High Flow  
Spray Valve  
(Blue)

**Product Specifications:**

Enclosed Coated Hose Reel w/ 30' of 3/8" Hose, High Flow Spray Valve (Blue), Vacuum Breaker, 20" Stainless Steel Flexible Hose, 8" Wall Mount Mixing Faucet & Control Valve

**Product Compliance:**

NSF 61 Exempt (Non-Potable)  
EPA Act 2005 Non-Compliant (PRSV)  
ASSE 1056 (VB)



# T&S BRASS AND BRONZE WORKS, INC.

2 Saddleback Cove / P.O. Box 1088  
Travelers Rest, SC 29690

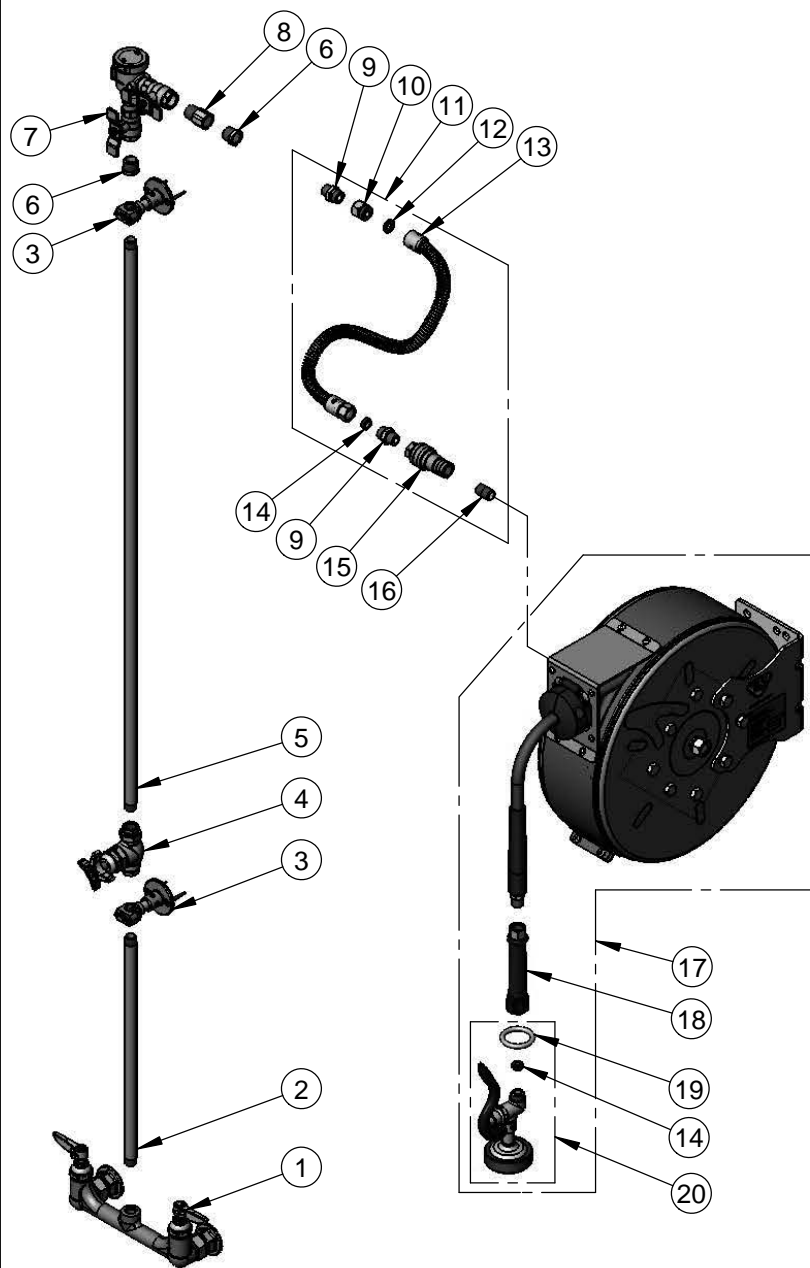
Model No.

**B-1433-02**

Item No.

Travelers Rest, SC: 800-476-4103 • Simi Valley, CA: 800-423-0150 • Fax: 864-834-3518 • www.tsbrass.com

ITEM NO.	SALES NO.	DESCRIPTION
1	002832-40	8" Wall Mount Mixing Faucet
2	000368-40	3/8" NPT x 16" Riser
3	B-0109-07	Wall Bracket
4	0RK3	Control Valve
5	002558-40	3/8" NPT x 40 Riser
6	001359-40	Hex Bushing, 1/2" NPT Male x 3/8" NPT Female
7	B-0963	Vacuum Breaker 1/2" NPT Female
8	015073-40	Check Valve w/ 1/2" NPT Adapter
9	053A	Adapter, 3/8" NPT Male
10	000729-40	Nut, 7/8-20 Male x 3/4-14 Female
11	B-1433-03	20" Flexible Stainless Steel w/ QD Fitting & Adapter
12	001014-45	Washer, B-0100 Hose Barrel
13	B-0020-H2A	20" Flexible Stainless Steel Hose, Less Handle
14	010476-45	#27 Washer
15	AW-5B	3/8" NPT Quick Disconnect
16	002535-25	3/8" NPT Close Nipple
17	B-7222-C01	Enclosed Coated Reel w/ 30' of 3/8" Hose
18	012504-40	Grip Handle (Blue), 3/8" NPT
19	000907-45	Spray Valve Hold Down Ring
20	EB-0107	High Flow Spray Valve (Blue)
156	012443-40	Eterna Cartridge, RTC w/ Spring Check
157	012442-40	Eterna Cartridge, LTC w/ Spring Check



**Product Specifications:**  
 Enclosed Coated Hose Reel w/ 30' of 3/8" Hose, High Flow Spray Valve (Blue), Vacuum Breaker, 20" Stainless Steel Flexible Hose, 8" Wall Mount Mixing Faucet & Control Valve

**Product Compliance:**  
 NSF 61 Exempt (Non-Potable)  
 EPA Act 2005 Non-Compliant (PRSV)  
 ASSE 1056 (VB)