



T&S BRASS AND BRONZE WORKS, INC.
 2 Saddleback Cove / P.O. Box 1088
 Travelers Rest, SC 29690

Model No.
B-1433-05

Item No.

Travelers Rest, SC: 800-476-4103 • Simi Valley, CA: 800-423-0150 • Fax: 864-834-3518 • www.tsbrass.com

This Space for Architect/Engineer Approval

Job Name _____ Date _____
 Model Specified _____ Quantity _____
 Customer/Wholesaler _____
 Contractor _____
 Architect/Engineer _____

EPAct 2005 Non-Compliant

B-0963
 Continuous Pressure
 Vacuum Breaker w/
 Integral Check Valve

3/8" NPT x 36"
 Flexible Water
 Connector To
 Hose Reel

3/8" NPT x 32" Riser

Stainless Steel
 Quick Disconnect

Control Valve

(2) B-0109-07
 Wall Brackets

3/8" NPT x 18" Riser

3 11/16"
 [94mm]

12 3/16"
 [309mm]

Ø 2" [51mm]
 Flanges w/
 1/2" NPT
 Female Inlets

8"
 [203mm]
 Adjustable From
 7 3/4" to 8 1/4"
 [197mm to 210mm]

8" Wall Mount
 Mixing Faucet
 w/ Spring Checks
 & Lever Handles
 w/ Color Coded
 Indexes

EB-0107
 High Flow
 Spray Valve
 (Blue)

Ø 1/2"
 [13mm]
 Typ

Enclosed Coated Hose Reel
 w/ 30' of 3/8" Hose

5 1/2"
 [139mm]

5 1/2"
 [139mm]

2 3/8"
 [60mm]

6 7/16"
 [164mm]

5 1/4"
 [133mm]

3/4"
 [19mm]

1/2"
 [13mm]

3/4"
 [19mm]

1/2"
 [13mm]

Typ

57 5/16"
 [1456mm]

19 3/4"
 [502mm]

2 3/8"
 [61mm]

Product Specifications:

Enclosed Coated Hose Reel w/ 30' of 3/8" Hose, High Flow Spray Valve (Blue), Vacuum Breaker, 3/8" NPT Flexible Water Connector, 8" Wall Mount Mixing Faucet & Control Valve

Drawn

DHL

Checked

DMH

Approved

JHB

Scale:

1:12

Date:

07/22/13

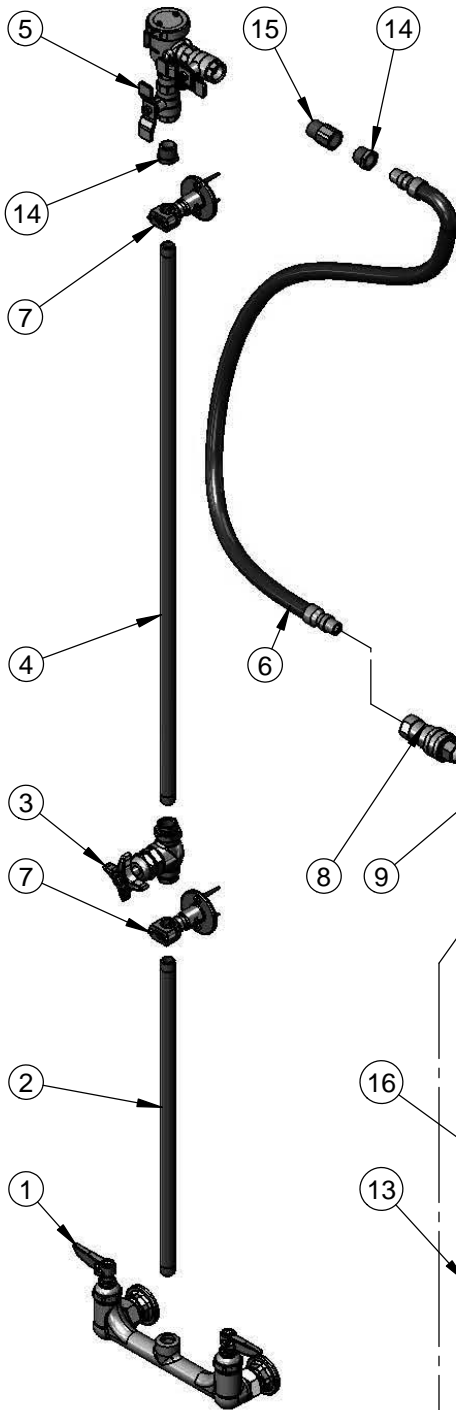


T&S BRASS AND BRONZE WORKS, INC.
 2 Saddleback Cove / P.O. Box 1088
 Travelers Rest, SC 29690

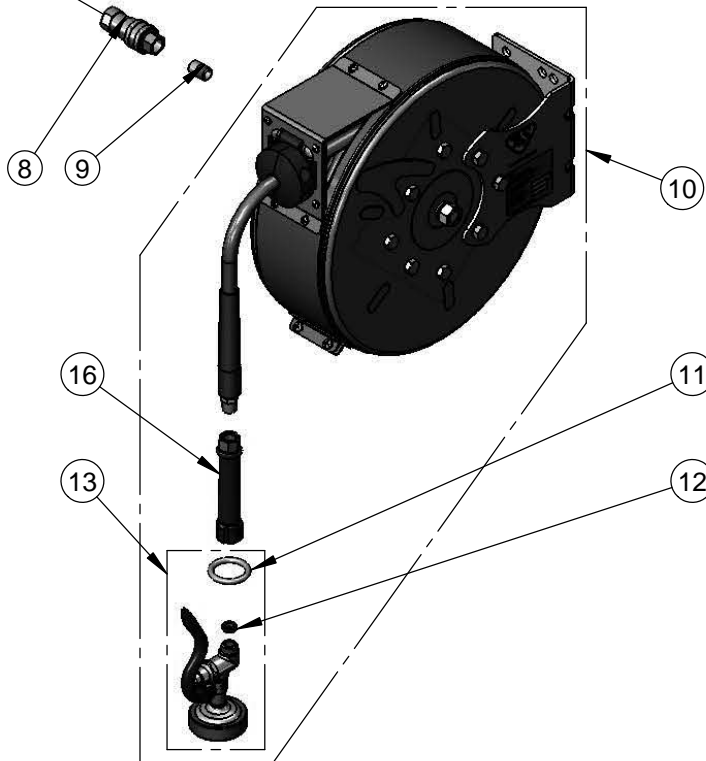
Model No.
B-1433-05

Item No.

Travelers Rest, SC: 800-476-4103 • Simi Valley, CA: 800-423-0150 • Fax: 864-834-3518 • www.tsbrass.com



ITEM NO..	SALES NO.	DESCRIPTION
1	002832-40	8" Wall Mount Mixing Faucet
2	000369-40	3/8" NPT x 18" Riser
3	0RK3	Control Valve
4	000376-40	3/8" NPT x 32" Riser
5	B-0963	1/2" NPT Continuous Pressure VB w/ Integral Check Valve
6	HW-2B-36	3/8" NPT x 36" Flexible Water Hose
7	B-0109-07	Wall Bracket
8	AW-5B	3/8" NPT Quick Disconnect
9	002535-25	3/8" Close Nipple
10	B-7222-C01	Enclosed Coated Reel w/ 30' of 3/8" Hose
11	000907-45	Spray Valve Hold Down Ring
12	010476-45	#27 Washer
13	EB-0107	High Flow Spray Valve (Blue)
14	001359-40	1/2" NPT Male x 3/8" NPT Female Hex Bushing
15	015073-40	Check Valve 1/2" NPT Adapter
16	012504-40	Grip Handle (Blue), 3/8" NPT



Product Specifications:

Enclosed Coated Hose Reel w/ 30' of 3/8" Hose, High Flow Spray Valve (Blue), Vacuum Breaker, 3/8" NPT Flexible Water Connector, 8" Wall Mount Mixing Faucet & Control Valve

Drawn

DHL

Checked

DMH

Approved

JHB

Scale:

NTS

Date:

07/22/13