



T&S BRASS AND BRONZE WORKS, INC.
 2 Saddleback Cove / P.O. Box 1088
 Travelers Rest, SC 29690

Model No.
B-1433-7212-01

Item No.

Travelers Rest, SC: 800-476-4103 • Simi Valley, CA: 800-423-0150 • Fax: 864-834-3518 • www.tsbrass.com

This Space for Architect/Engineer Approval

Job Name _____ Date _____

Model Specified _____ Quantity _____

Customer/Wholesaler _____

Contractor _____

Architect/Engineer _____

EPAct 2005 Non-Compliant

B-0963
 Continuous Pressure
 Vacuum Breaker w/
 Integral Check Valve

3/8" NPT x 36"
 Flexible Water
 Connector
 To Hose Reel

3/8" NPT x 40" Riser

Stainless Steel
 Quick Disconnect

Control Valve

(2) B-0109-07
 Wall Brackets

3/8" NPT x 16" Riser

8" Wall Mount
 Mixing Faucet,
 Eterna Cartridges
 w/ Spring Checks &
 Lever Handles w/
 Color Coded Indexes

Ø 2" [51mm]
 Flanges w/
 1/2" NPT
 Female Inlets

3 11/16"
 [94mm]

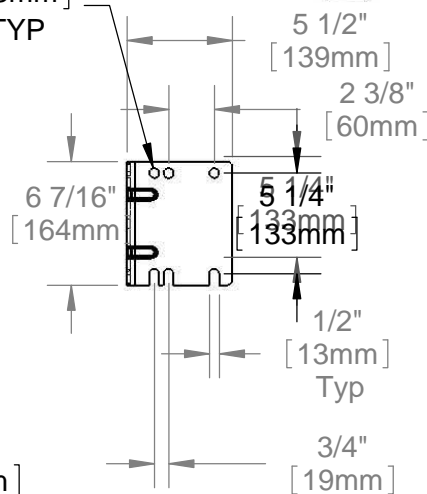
12 7/16"
 [315mm]

8"
 [203mm]
 Adjustable From
 7 3/4" to 8 1/4"
 [197mm to 210mm]

Open Coated Hose Reel
 w/ 15' of 3/8" Hose

EB-0107
 High Flow
 Spray Valve
 (Blue)

Ø 1/2"
 [13mm]
 TYP



63 5/16"
 [1609mm]

17 3/4"
 [451mm]

2 3/8"
 [61mm]

Product Specifications:

Open Coated Hose Reel w/ 15' of 3/8" Hose, EB-0107 Blue Spray Valve, Vacuum Breaker, 3/8" NPT Flexible Water Connector, 8" Wall Mount Mixing Faucet, & Control Valve

Drawn JRM	Checked KJG	Approved JHB
Scale: 1:12		Date: 11/25/13



T&S BRASS AND BRONZE WORKS, INC.

2 Saddleback Cove / P.O. Box 1088
Travelers Rest, SC 29690

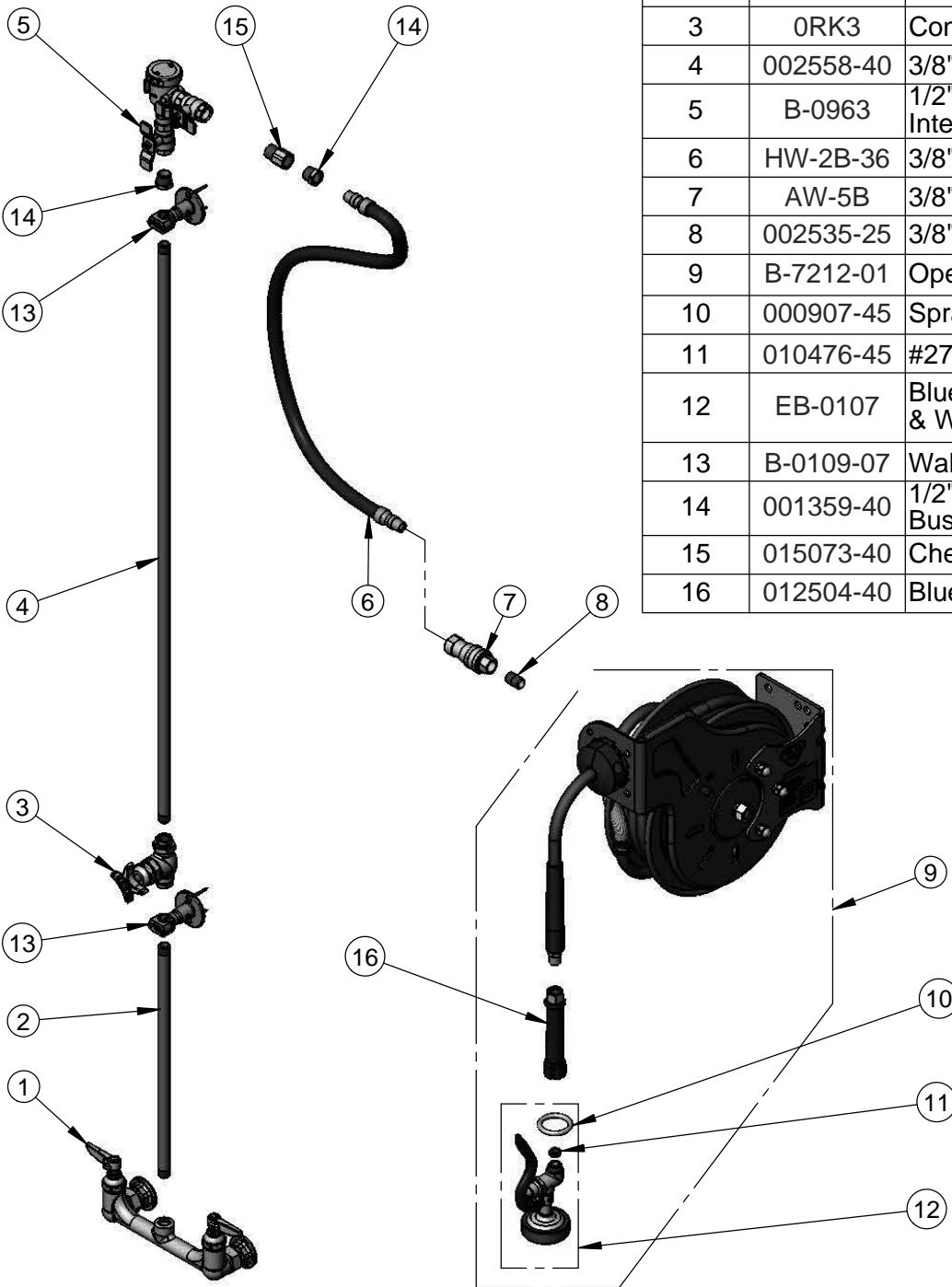
Model No.

B-1433-7212-01

Item No.

Travelers Rest, SC: 800-476-4103 • Simi Valley, CA: 800-423-0150 • Fax: 864-834-3518 • www.tsbrass.com

ITEM NO.	SALES NO.	DESCRIPTION
1	002832-40	8" Wall Mount Mixing Faucet
2	000368-40	3/8" NPT x 16" Riser
3	0RK3	Control Valve
4	002558-40	3/8" NPT x 40" Riser
5	B-0963	1/2" NPT Continuous Pressure VB w/ Integral Check Valve
6	HW-2B-36	3/8" NPT x 36" Flexible Water Hose
7	AW-5B	3/8" NPT Quick Disconnect
8	002535-25	3/8" Close Nipple
9	B-7212-01	Open Coated Reel w/ 15' of 3/8" Hose
10	000907-45	Spray Valve Hold Down Ring
11	010476-45	#27 Washer
12	EB-0107	Blue Spray Valve w/ Hold Down Ring & Washer
13	B-0109-07	Wall Bracket
14	001359-40	1/2" NPT Male x 3/8" NPT Male Hex Bushing
15	015073-40	Check Valve w/ 1/2" NPT Adapter
16	012504-40	Blue Grip Handle



Product Specifications:

Open Coated Hose Reel w/ 15' of 3/8" Hose, EB-0107 Blue Spray Valve, Vacuum Breaker, 3/8" NPT Flexible Water Connector, 8" Wall Mount Mixing Faucet, & Control Valve

Drawn

JRM

Checked

KJG

Approved

JHB

Scale:

NTS

Date:

11/25/13