



T&S BRASS AND BRONZE WORKS, INC.
 2 Saddleback Cove / P.O. Box 1088
 Travelers Rest, SC 29690

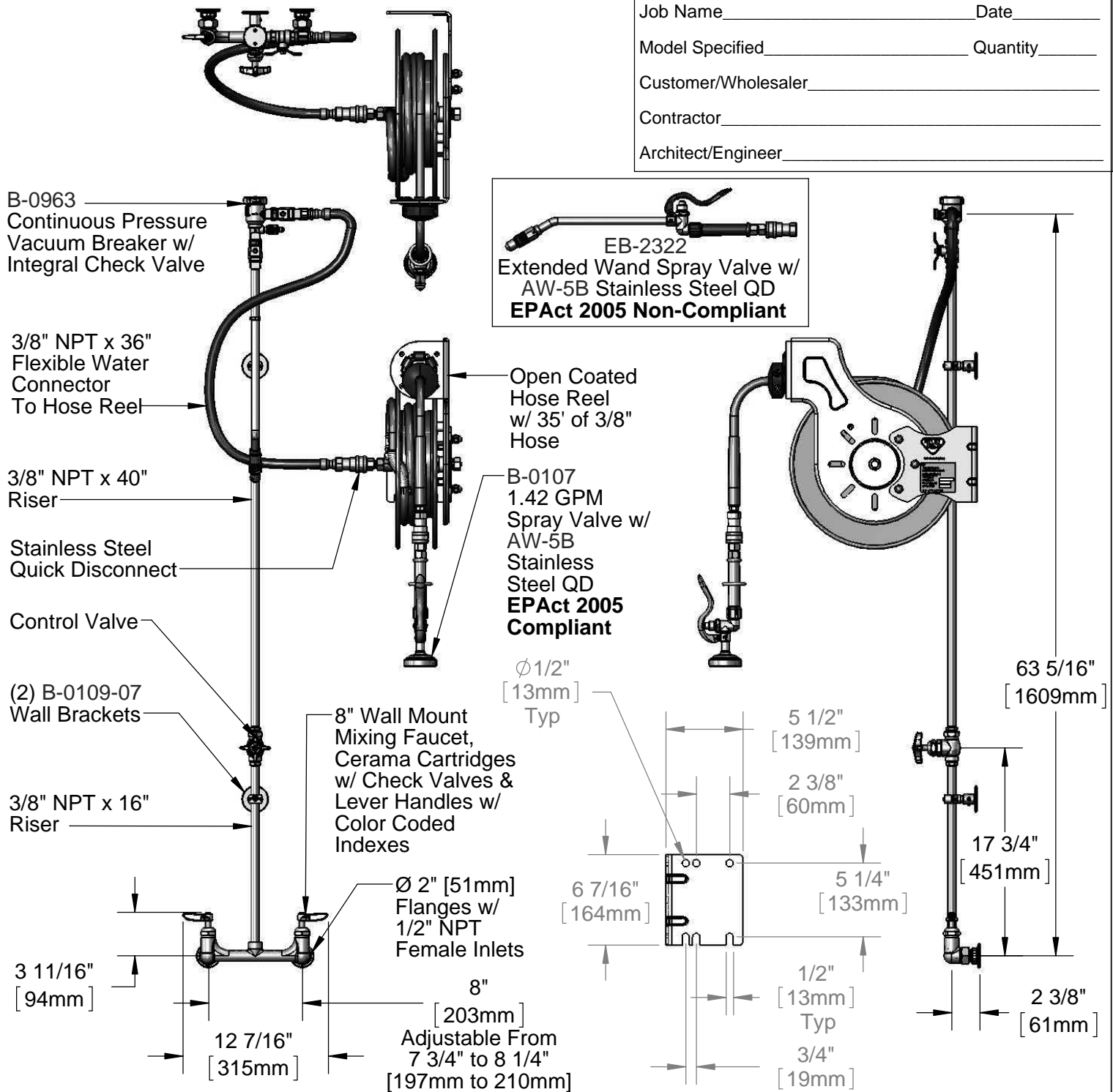
Model No.
B-1433-CR-QDS

Item No.

Travelers Rest, SC: 800-476-4103 • Simi Valley, CA: 800-423-0150 • Fax: 864-834-3518 • www.tsbrass.com

This Space for Architect/Engineer Approval

Job Name _____ Date _____
 Model Specified _____ Quantity _____
 Customer/Wholesaler _____
 Contractor _____
 Architect/Engineer _____



Product Specifications:
 Open Coated Hose Reel w/ 35' of 3/8" Hose, Two Spray Valves w/ Quick Disconnects, Vacuum Breaker, 3/8" NPT Flexible Water Connector, 8" Wall Mount Mixing Faucet w/ Cerama Cartridges, & Control Valve

Drawn DHL	Checked DMH	Approved JHB
Scale: 1:12		Date: 07/22/13



T&S BRASS AND BRONZE WORKS, INC.

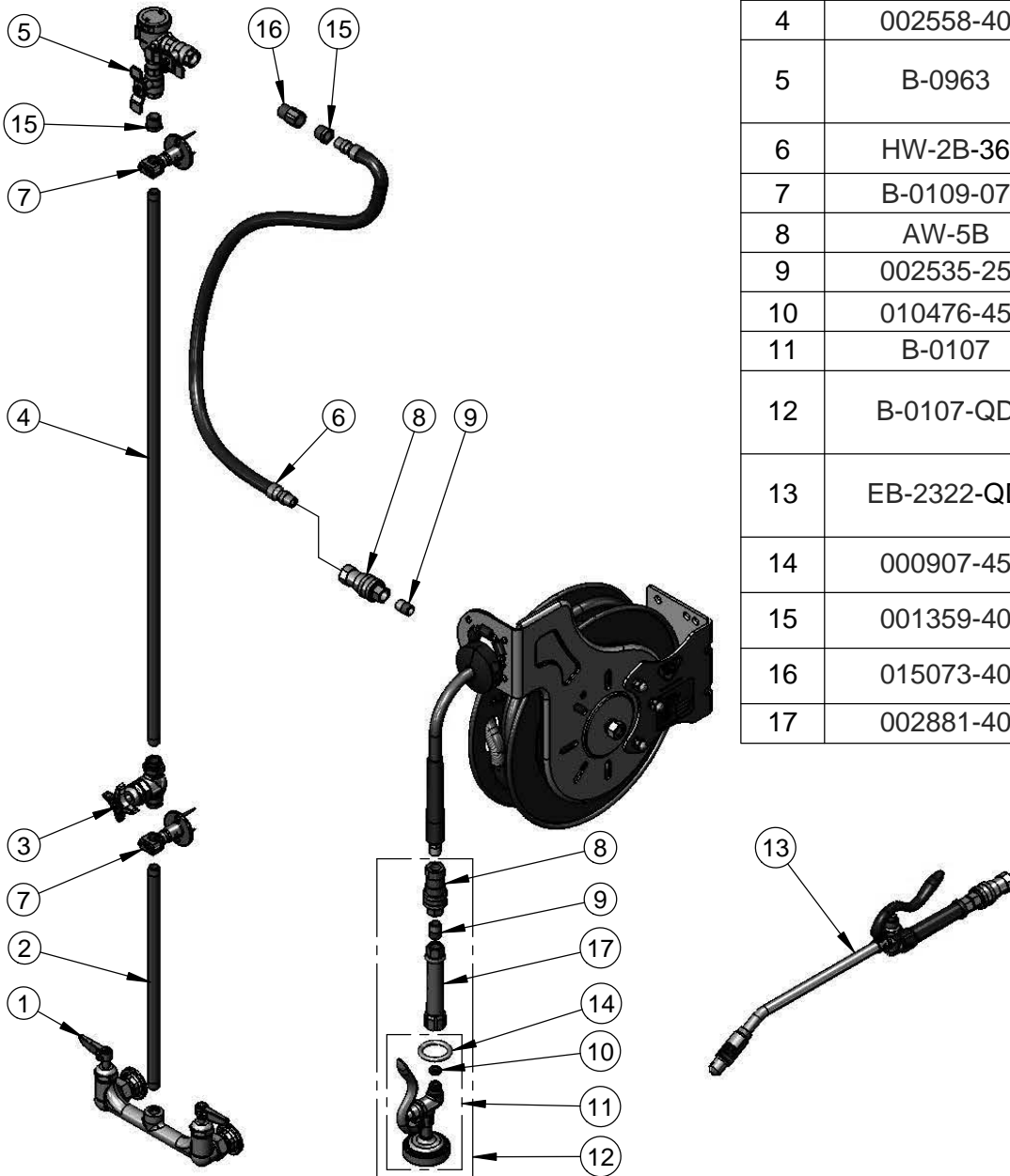
2 Saddleback Cove / P.O. Box 1088
Travelers Rest, SC 29690

Model No.

B-1433-CR-QDS

Item No.

Travelers Rest, SC: 800-476-4103 • Simi Valley, CA: 800-423-0150 • Fax: 864-834-3518 • www.tsbrass.com



ITEM NO.	SALES NO.	DESCRIPTION
1	B-0131-LN-CR-SC	8" Wall Mount Faucet w/ Ceramas & Spring Checks
2	000368-40	3/8" NPT x 16" Riser
3	0RK3	Control Valve
4	002558-40	3/8" NPT x 40" Riser
5	B-0963	1/2" NPT Continuous Pressure VB w/ Integral Check Valve
6	HW-2B-36	3/8" NPT x 36" Flexible Water Hose
7	B-0109-07	Wall Bracket
8	AW-5B	3/8" NPT Quick Disconnect
9	002535-25	3/8" Close Nipple
10	010476-45	#27 Washer
11	B-0107	1.42 GPM Spray Valve
12	B-0107-QD	1.42 GPM Spray Valve w/ Handle & Stainless Steel Quick Disconnect
13	EB-2322-QD	Extended Wand Spray Valve w/ Stainless Steel Quick Disconnect
14	000907-45	Spray Valve Hold Down Ring
15	001359-40	1/2" NPT Male x 3/8" NPT Female Hex Bushing
16	015073-40	Check Valve w/ 1/2" NPT Adapter
17	002881-40	Grip Handle , 3/8" NPT

Product Specifications:

Open Coated Hose Reel w/ 35' of 3/8" Hose, Two Spray Valves w/ Quick Disconnects, Vacuum Breaker, 3/8" NPT Flexible Water Connector, 8" Wall Mount Mixing Faucet w/ Cerama Cartridges, & Control Valve

Drawn

DHL

Checked

DMH

Approved

JHB

Scale:

NTS

Date:

07/22/13