



T&S BRASS AND BRONZE WORKS, INC.

2 Saddleback Cove / P.O. Box 1088
Travelers Rest, SC 29690



REG. #A2601
ISO #9001

Model No.

B-1433-SC01

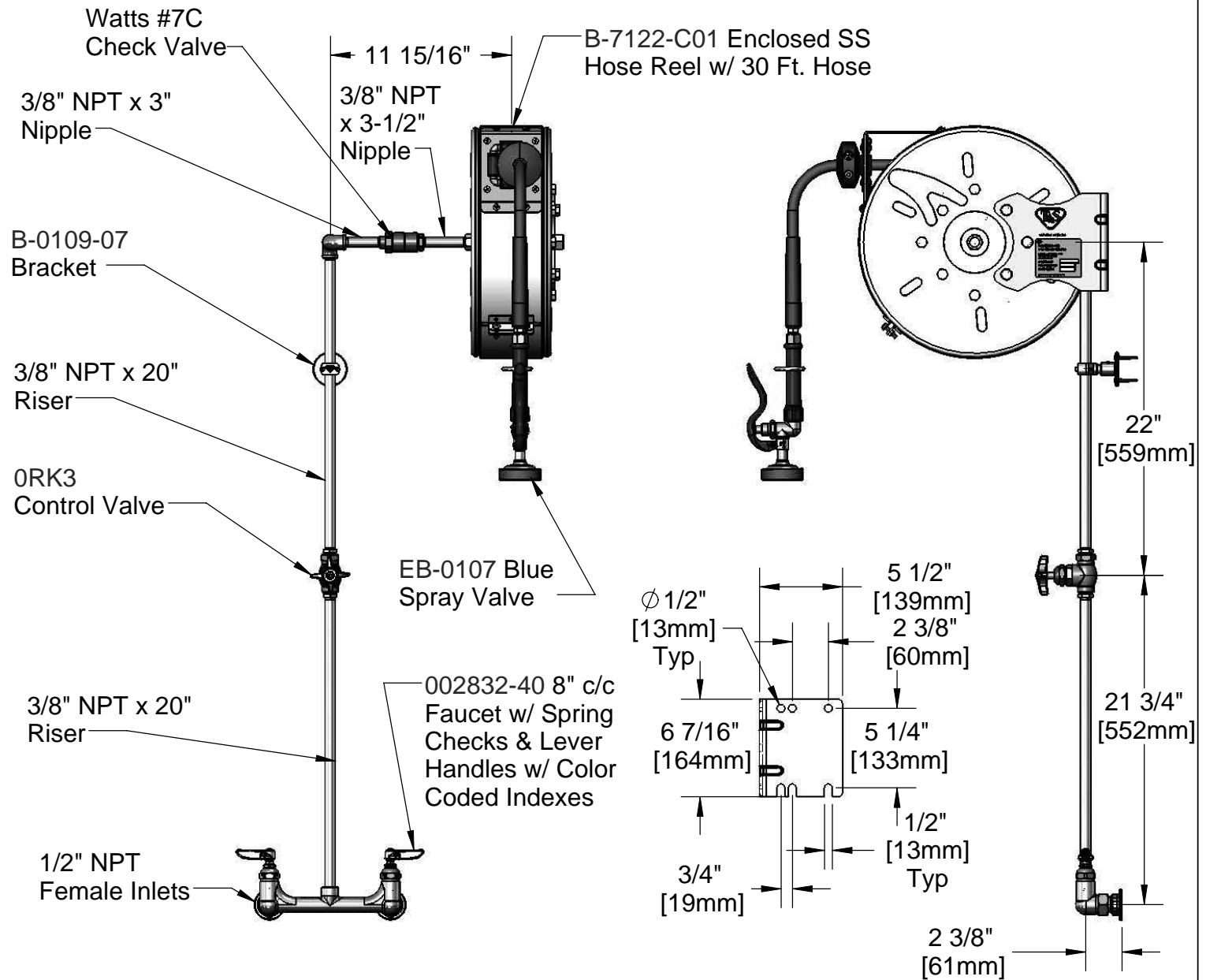
Item No.

Travelers Rest, SC: 800-476-4103 Simi Valley, CA: 800-423-0150 Fax: 864-834-3518 www.tsbrass.com

This Space for Architect/Engineer Approval

Job Name _____ Date _____
 Model Specified _____ Quantity _____
 Customer/Wholesaler _____
 Contractor _____
 Architect/Engineer _____

EPAct2005 Non-Compliant



Product Specifications:

Enclosed SS Hose Reel w/ 30 Ft Hose, Blue Spray Valve, Hard Pipe Supply Manifold, Watts Check Valve, 8" c/c Wall Mounted Faucet, & Control Valve In Riser

Drawn JRM	Checked ARH	Approved JHB
Scale: NTS		Date: 06/09/09



T&S BRASS AND BRONZE WORKS, INC.

2 Saddleback Cove / P.O. Box 1088
Travelers Rest, SC 29690



REG. #A2601
ISO #9001

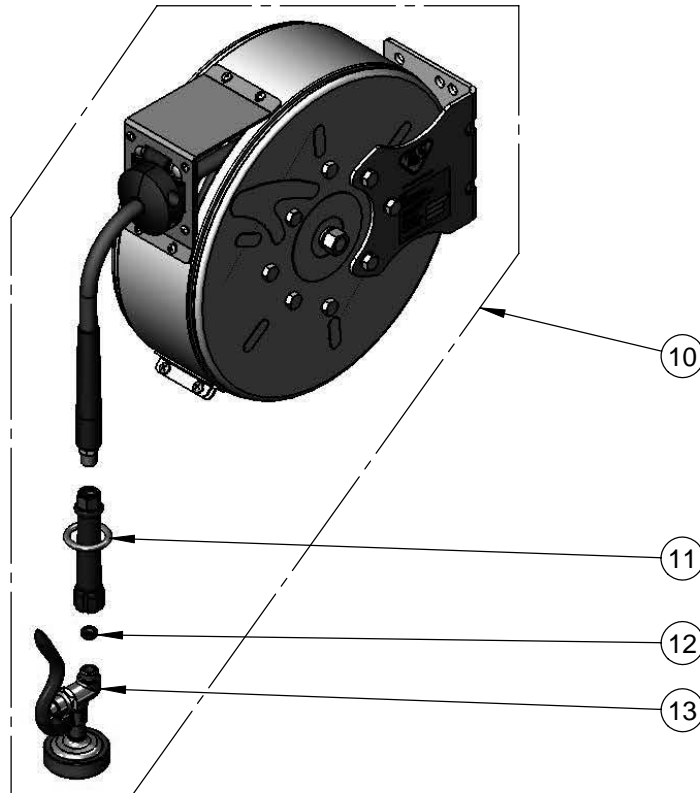
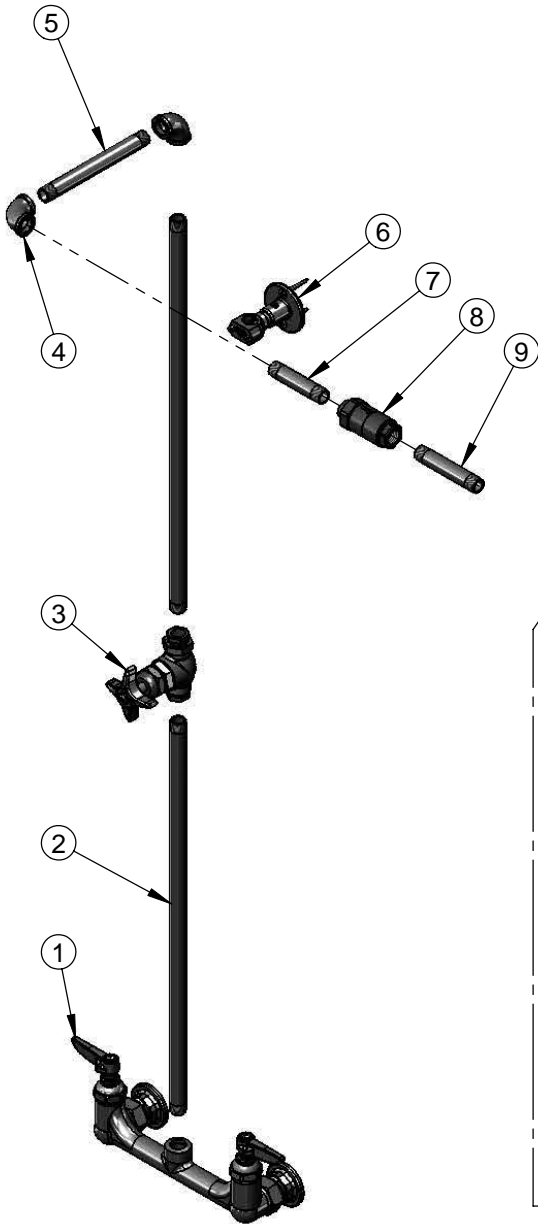
Model No.

B-1433-SC01

Item No.

Travelers Rest, SC: 800-476-4103 Simi Valley, CA: 800-423-0150 Fax: 864-834-3518 www.tsbrass.com

ITEM NO.	SALES NO.	DESCRIPTION
1	002832-40	B-131 Base Faucet
2	000370-40	Nipple, 3/8" x 20"
3	0RK3	Valve Control
4	001355-40	Elbow, 3/8 NPT
5	000362-40	Nipple, 3/8" x 6"
6	B-0109-07	Wall Bracket
7	000358-40	Nipple, 3/8" x 3"
8	B-0975	Dual Check Valve VB
9	000359-40	Nipple, 3/8" x 3-1/2"
10	B-7122-C01	Enclosed SS Reel w/ 30' of 3/8" Hose
11	000907-45	Spray Valve Hold Down Ring
12	010476-45	#27 Washer
13	EB-0107	EB-0107 Spray Valve



Product Specifications:

Enclosed SS Hose Reel w/ 30 Ft Hose, Blue Spray Valve, Hard Pipe Supply Manifold, Watts Check Valve, 8" c/c Wall Mounted Faucet, & Control Valve In Riser

Drawn	Checked	Approved
JRM	ARH	JHB
Scale:	Date:	
1:8	06/09/09	