



# T&S BRASS AND BRONZE WORKS, INC.

2 Saddleback Cove / P.O. Box 1088  
Travelers Rest, SC 29690

Model No.

**B-1439-BF12-C12**

Item No.

Travelers Rest, SC: 800-476-4103 • Simi Valley, CA: 800-423-0150 • Fax: 864-834-3518 • www.tsbrass.com

This Space for Architect/Engineer Approval

Job Name \_\_\_\_\_ Date \_\_\_\_\_

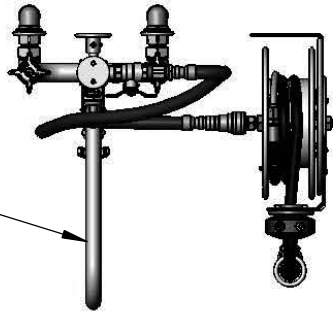
Model Specified \_\_\_\_\_ Quantity \_\_\_\_\_

Customer/Wholesaler \_\_\_\_\_

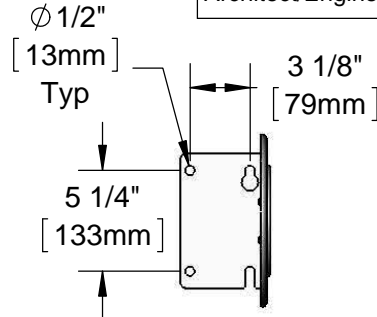
Contractor \_\_\_\_\_

Architect/Engineer \_\_\_\_\_

114X  
12" Big-Flo Swing  
Nozzle w/ Plain  
End Outlet



B-0963  
Continuous Pressure  
Vacuum Breaker w/  
Integral Check Valve



Mounting Holes  
Details

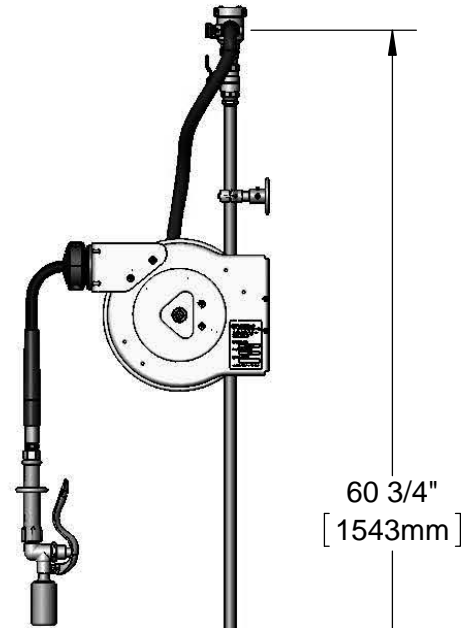
3/8" NPT x 36"  
Flexible Water  
Connector

3/8" NPT x 40" Riser

Stainless Steel  
Quick Disconnect

Open Stainless Steel  
Hose Reel w/ 12' of  
3/8" Hose

B-0107-C  
0.65 GPM  
Low Flow  
Spray Valve



60 3/4"  
[1543mm]

(2) B-0109-07  
Wall Brackets

Control Valve

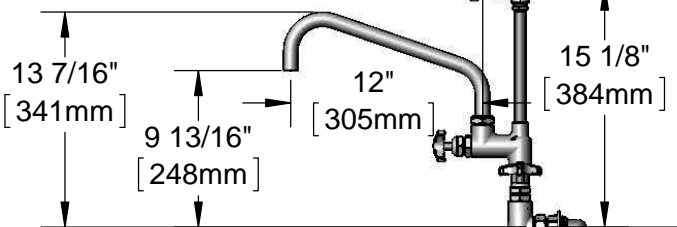
3/8" NPT x 8" Riser

Item Not Shown  
for Clarity

Big-Flo Cartridges  
& 4-Arm Handles  
w/ Color Coded  
Indexes

10 5/8"  
[270mm]

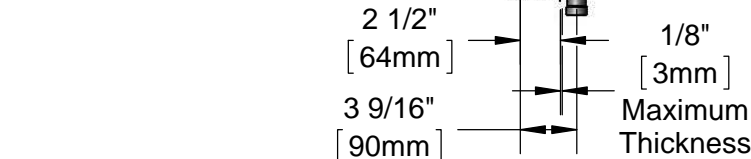
Faucet Body w/  
Integral Check  
Valves



8"  
[203mm]

Ø 2" [51mm]  
Flanges

3/4" NPT  
Female Inlets



Adjustable From  
7 3/4" to 8 1/4"  
[197mm to 210mm]

**Product Specifications:**

Open Stainless Steel Hose Reel w/ 12' of 3/8" Hose, Big-Flo Faucet w/ Integral Check Valves, Big-Flo Add-On Faucet, 12" Big-Flo Swing Nozzle w/ Plain End Outlet, 0.65 GPM Low Flow Spray Valve, Vacuum Breaker, 3/8" NPT Flexible Water Connector & Control Valve

**Product Compliance:**

NSF 61 Exempt (Non-Potable)  
EPA WaterSense (PRSV)  
ASSE 1056 (VB)



# T&S BRASS AND BRONZE WORKS, INC.

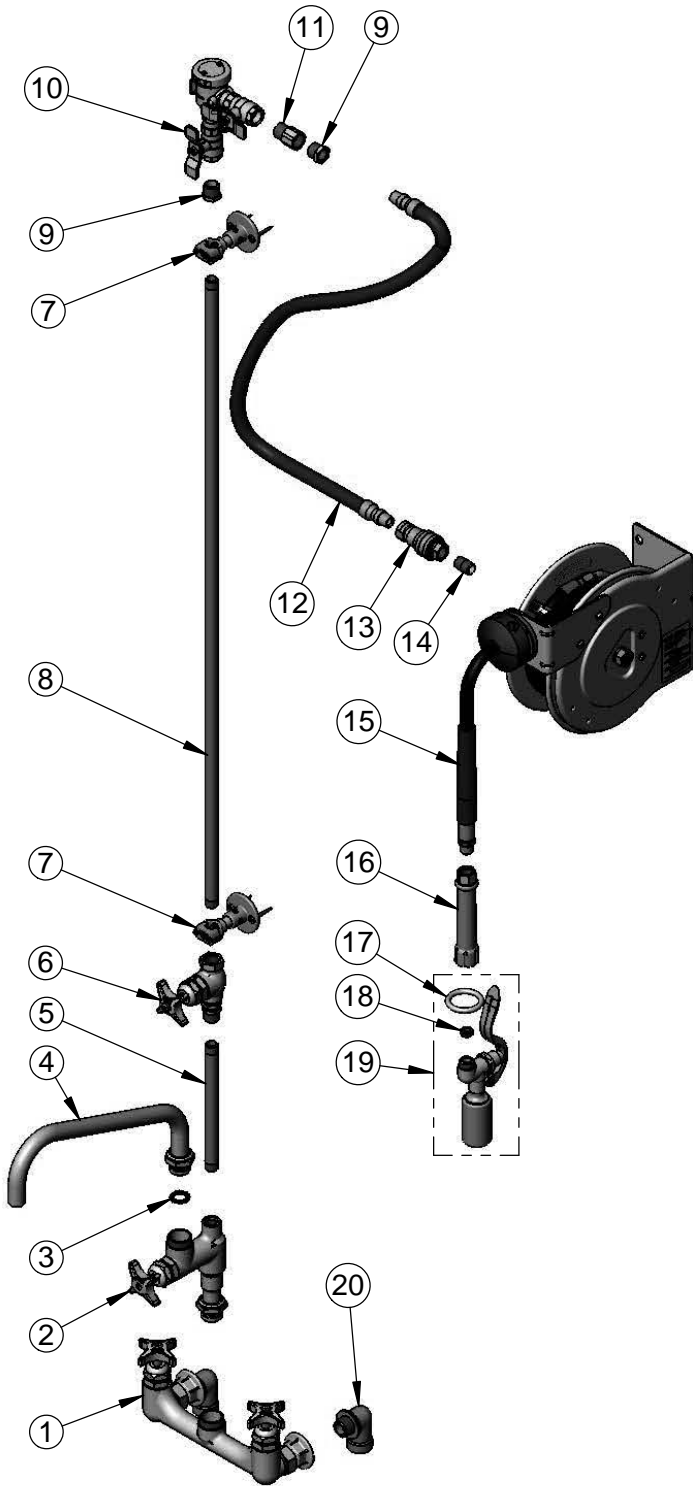
2 Saddleback Cove / P.O. Box 1088  
Travelers Rest, SC 29690

Model No.

**B-1439-BF12-C12**

Item No.

Travelers Rest, SC: 800-476-4103 • Simi Valley, CA: 800-423-0150 • Fax: 864-834-3518 • www.tsbrass.com



ITEM NO.	SALES NO.	DESCRIPTION
1	002840-40CV	Big-Flo Faucet w/ Integral Check Valves
2	B-0286-LNEZ	Big-Flo EasyInstall Add-On Faucet
3	016807-45	Serrated Lock Washer
4	114X	12" Big-Flo Swing Nozzle
5	078X	3/8" NPT x 8" Riser
6	0RK3	Control Valve
7	B-0109-07	2 3/8" Wall Bracket
8	002558-40	3/8" NPT x 40" Riser
9	001359-40	1/2" NPT Male x 3/8" NPT Female Hex Bushing
10	B-0963	1/2" NPT Continuous Pressure VB w/ Integral Check Valve
11	015073-40	Check Valve w/ 1/2" NPT Adapter
12	HW-2B-36	3/8" NPT x 36" Flexible Water Hose
13	AW-5B	3/8" NPT Quick Disconnect
14	002535-25	3/8" Close Nipple
15	B-7102	Open Stainless Steel Reel w/ 12" of 3/8" Hose
16	002881-40	Grip Handle
17	000907-45	Spray Valve Hold Down Ring
18	010476-45	#27 Washer
19	B-0107-C	0.65 GPM Low Flow Spray Valve
20	00LL	3/4" Short Elbow Inlet

**Product Specifications:**

Open Stainless Steel Hose Reel w/ 12' of 3/8" Hose, Big-Flo Faucet w/ Integral Check Valves, Big-Flo Add-On Faucet, 12" Big-Flo Swing Nozzle w/ Plain End Outlet, 0.65 GPM Low Flow Spray Valve, Vacuum Breaker, 3/8" NPT Flexible Water Connector & Control Valve

**Product Compliance:**

NSF 61 Exempt (Non-Potable)  
EPA WaterSense (PRSV)  
ASSE 1056 (VB)